



# MOLDED CASE CIRCUIT BREAKERS – OVERVIEW

## Overview

Designed to provide branch and feeder circuit protection in industrial control panels, Cutler-Hammer Molded Case Circuit Breakers supply protection against overload in conductors and short circuit in connected equipment such as motors. They are UL listed for installation in UL 508 control panels. Their small size, in relation to standard circuit breakers or other comparable devices, saves panel space. Four frame sizes and all standard accessories are available.

## Features

- UL489 listed performance for branch circuit overcurrent protection and disconnecting means
- Patented contact conductor designs featuring high-speed “blow-open” action, providing superior performance when high level fault currents produce extraordinary electromechanical forces
- Advanced arc extinguishing technology
- Toggle handle provides three positions (on/off/tripped) along with visual indicators
- Manufactured in ISO 9000 certified facilities
- HACR rated
- G-Frame and F-Frame size units are suitable for reverse feed
- K-Frame and L-Frame Breakers include 3-pole adjustable magnetic trip.

**NEW!**



## Listings

- UL 489 MCCB
- CSA 22.2 No.5
- IEC 157-1
- NEMA Standards Publication No. AB1-1993

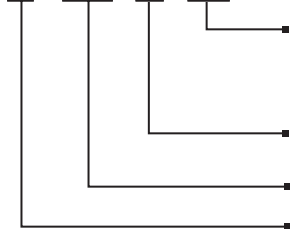
Molded Case Circuit Breakers Technical Specifications

Circuit Breaker Type	Ampere Rating at 40°C	No. Poles	Volts		Type of Trip*	Federal Specification W-C-375B	UL Listed Interrupting Ratings (rms Symmetrical Amperes)			
			AC	DC			AC (kA)			DC (kA)
							240	480	600	
<b>G-Frame</b>	15 -100	3	480	250	N.I.T.U	13b	65	22	–	10
<b>F-Frame</b>	100 - 225	3	600	250	N.I.T.U	22a	65	35	18	10
<b>K-Frame</b>	250 - 400	3	600	250	I.T.U	23a	65	35	25	10
<b>L-Frame</b>	400 - 600	3	600	250	I.T.U	23a	65	35	25	22

\*Note: N.I.T.U denotes non-interchangeable trip unit. I.T.U denotes interchangeable trip unit.

## Molded Case Circuit Breakers Part Numbering System

G 3P - 020 - AUX



Accessory Description Code  
 AUX: auxiliary contact  
 STAC: shunt trip AC 120/240VAC  
 STDC: shunt trip DC 12/24VDC/AC

UVAC: undervoltage release 120/240VAC  
 UVDC: undervoltage release 12/24VDC/AC

Amp Rating

3 Pole

Molded Case Circuit Breaker Series (by frame size)  
 G: 15 to 100 Amp      F: 100 to 225 Amp  
 K: 250 to 400 Amp      L: 400 to 600 Amp

# MOLDED CASE CIRCUIT BREAKERS 15-100 AMP G-FRAME



Cutler-Hammer



**G3P-40 shown**



**GHMVD12B**



**FOS03C**



**3TA100G6K**



**GDIN**

G-Frame circuit breakers are available as a single unit, or with accessories pre-installed only. Accessories are not field installable on this frame size. G-Frame breakers are suit-

able for reverse feed use. All breakers include base mounting hardware for panel mount applications.

G-Frame Series Three Pole Molded Case Circuit Breakers					
Part Number	Description	Pre-Installed Accessories*	Ampere Rating	Voltage	Interrupt Capacity
<b>G3P-015</b>	Molded case circuit breaker with thermal magnetic trip; line and load lug terminals included.	None	15	240VAC 480VAC 250VDC**	65kA 22kA 10kA
<b>G3P-015-AUX</b>		With auxiliary contact installed			
<b>G3P-020</b>	Molded case circuit breaker with thermal magnetic trip; line and load lug terminals included.	None	20		
<b>G3P-020-AUX</b>		With auxiliary contact installed			
<b>G3P-025</b>	Molded case circuit breaker with thermal magnetic trip; line and load lug terminals included.	None	25		
<b>G3P-030</b>		None			
<b>G3P-030-AUX</b>	Molded case circuit breaker with thermal magnetic trip; line and load lug terminals included.	With auxiliary contact installed	30		
<b>G3P-030-STAC</b>		With 120/240VAC shunt trip installed			
<b>G3P-030-STDC</b>		With 12/24VDC/AC shunt trip installed			
<b>G3P-030-UVAC</b>		With 120/240VAC undervoltage release installed			
<b>G3P-030-UVDC</b>		With 12/24VDC/AC undervoltage release installed			
<b>G3P-040</b>	Molded case circuit breaker with thermal magnetic trip; line and load lug terminals included.	None	40		
<b>G3P-050</b>		None			
<b>G3P-060</b>	Molded case circuit breaker with thermal magnetic trip; line and load lug terminals included.	None	60		
<b>G3P-060-AUX</b>		With auxiliary contact installed			
<b>G3P-060-STAC</b>		With 120/240VAC shunt trip installed			
<b>G3P-060-STDC</b>		With 12/24VDC/AC shunt trip installed			
<b>G3P-060-UVAC</b>		With 120/240VAC undervoltage release installed			
<b>G3P-060-UVDC</b>	With 12/24VDC/AC undervoltage release installed				
<b>G3P-100</b>	Molded case circuit breaker with thermal magnetic trip; line and load lug terminals included.	None	100		
<b>G3P-100-AUX</b>		With auxiliary contact installed			
<b>G3P-100-STAC</b>		With 120/240VAC shunt trip installed			
<b>G3P-100-STDC</b>		With 12/24VDC/AC shunt trip installed			
<b>G3P-100-UVAC</b>		With 120/240VAC undervoltage release installed			
<b>G3P-100-UVDC</b>	With 12/24VDC/AC undervoltage release installed				

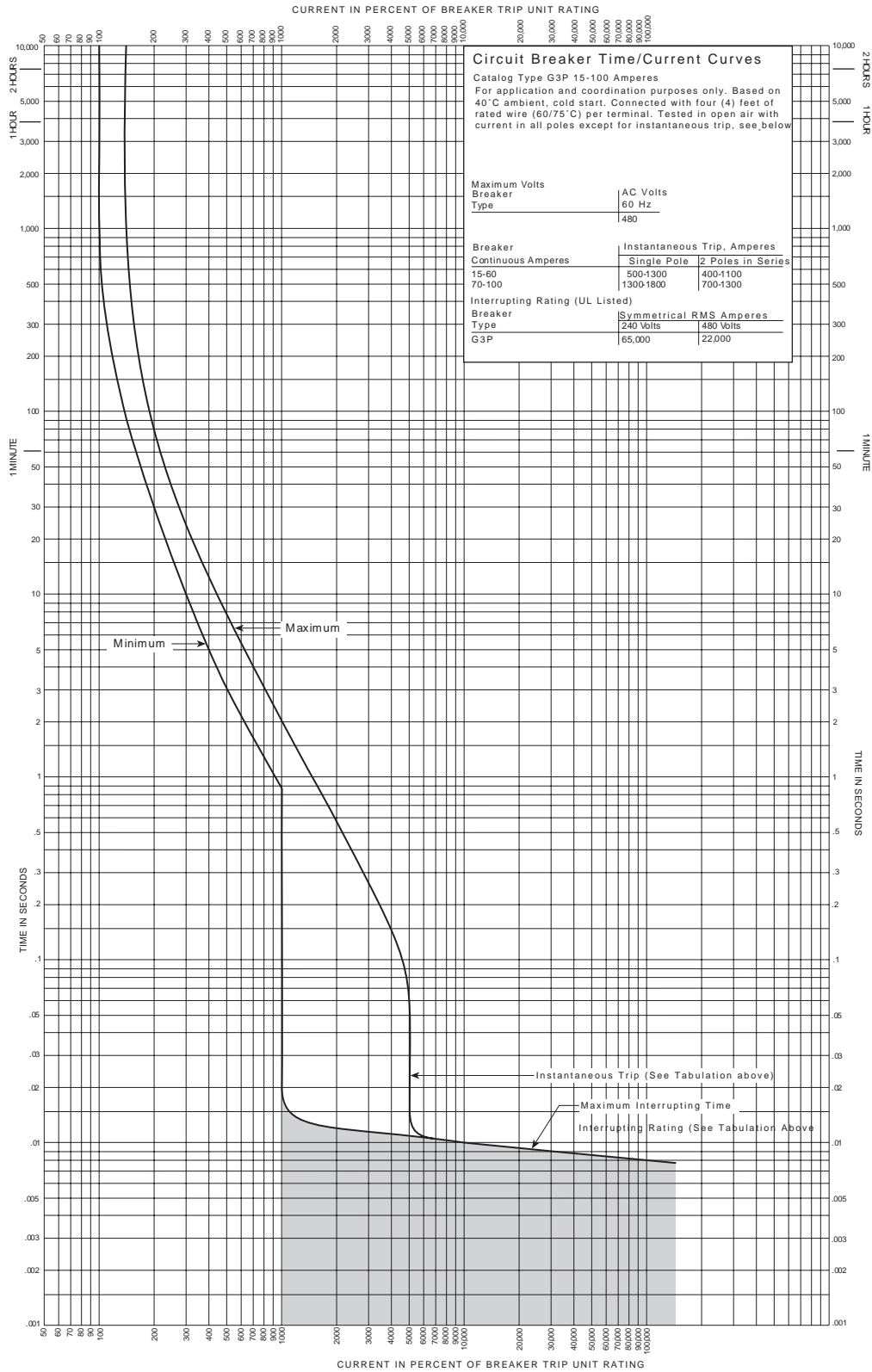
\*Note: Available accessories are pre-installed on G-Frame and F-Frame Molded Case Circuit Breakers. They are not field installable or interchangeable.

\*\*Note: Two poles of three-pole circuit breaker.

G-Frame Accessory Selection Guide	
Part Number	Description
<b>GHMVD12B</b>	NEMA 1/12 rotary handle for G-Frame. Position indicating; lock-off feature. Shaft length: 12"
<b>FOS03C</b>	NEMA 1/12 flexible shaft handle for G-Frame. Flange mounted. Lockable. Shaft length: 3'
<b>3TA100G6K</b>	Multi-wire connector to allow 6 wires to be connected to the G-frame. UL for copper only. 14-6AWG. Package of 3
<b>GDIN</b>	DIN rail clip adapter to allow mounting of G-Frame unit on 35mm DIN rail. Pkg of 1 includes mounting hardware.

AWG Wire Range Specifications				
Circuit Breaker	Ampere Rating	Wire Type	AWG Wire Range	Metric Wire Range mm <sup>2</sup>
G-Frame	15 - 20	Cu/Al	14 - 10	2.5 - 4
	25 - 100		10 - 1/0	4 - 50

# MOLDED CASE CIRCUIT BREAKERS 15-100 AMP G-FRAME



# MOLDED CASE CIRCUIT BREAKERS 100-225 AMP F-FRAME



Cutler-Hammer



F3P-200 shown

F-Frame circuit breakers are available as a single unit, or with accessories pre-installed only. Accessories are not field installable on this frame size. This frame size is suitable for reverse feed use.

All breakers include base mounting hardware for panel mount applications.



FHMVD12B



F1S03C



3TA150F6K



3TA225FD

F-Frame Series Three Pole Molded Case Circuit Breakers					
Part Number	Description	Pre-Installed Accessories*	Ampere Rating	Voltage	Interrupt Capacity
F3P-100	Molded case circuit breaker with thermal magnetic trip; line and load lug terminals included.	None	100	240VAC 480VAC 600VAC 250VDC**	65kA 35kA 18kA 10kA
F3P-125	Molded case circuit breaker with thermal magnetic trip; line and load lug terminals included.	None	125		
F3P-150	Molded case circuit breaker with thermal magnetic trip; line and load lug terminals included.	None	150		
F3P-150-AUX		With auxiliary contact installed			
F3P-150-STAC		With 120/240VAC shunt trip installed			
F3P-150-STDC		With 12/24VDC/AC shunt trip installed			
F3P-150-UVAC		With 120/240VAC undervoltage release installed			
F3P-150-UVDC		With 12/24VDC/AC undervoltage release installed			
F3P-175	Molded case circuit breaker with thermal magnetic trip; line and load lug terminals included.	None	175		
F3P-200	Molded case circuit breaker with thermal magnetic trip; line and load lug terminals included.	None	200		
F3P-200-AUX		With auxiliary contact installed			
F3P-200-STAC		With 120/240VAC shunt trip installed			
F3P-200-STDC		With 12/24VDC/AC shunt trip installed			
F3P-200-UVAC		With 120/240VAC undervoltage release installed			
F3P-200-UVDC		With 12/24VDC/AC undervoltage release installed			
F3P-225	Molded case circuit breaker with thermal magnetic trip; line and load lug terminals included.	None	225		

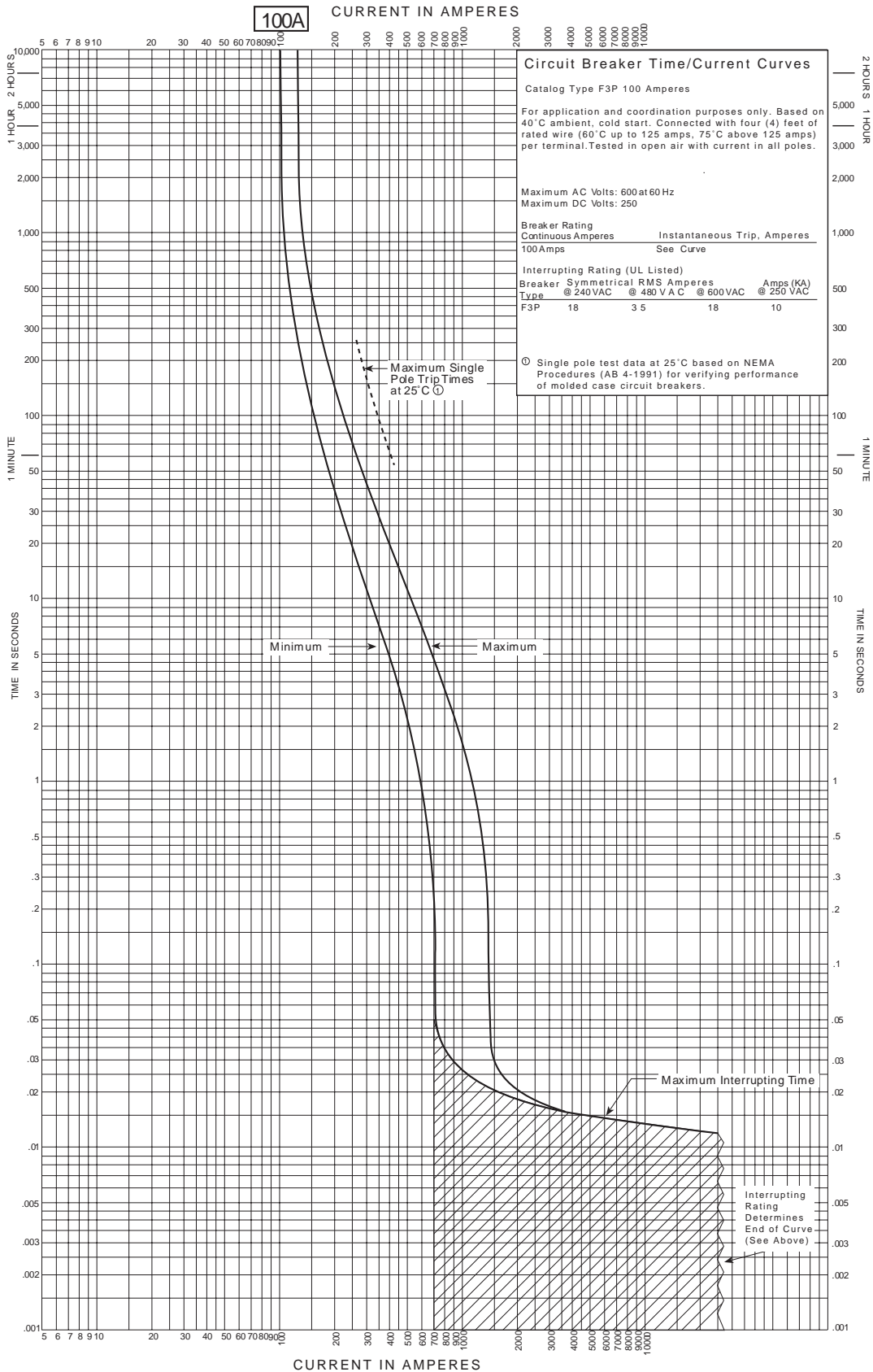
\*Note: Available accessories are pre-installed on G-Frame and F-Frame Molded Case Circuit Breakers. They are not field installable or interchangeable.

\*\*Note: Two poles of three-pole circuit breaker.

F-Frame Accessory Selection Guide	
Part Number	Description
FHMVD12B	NEMA 1/12 rotary handle for F-frame. Position indicating. Lock-off feature. Shaft length: 12"
F1S03C	NEMA 1/12 flexible shaft handle for F-frame. Flange mountable. Lockable. Shaft length: 3'
3TA150F6K	Multi-wire connector to allow 6 wires to be connected to the F-frame. UL for copper only. 14-6 AWG. Package of 3
3TA225FD	Replacement lug kit for F-frame. Package of 3

AWG Wire Range Specifications				
Circuit Breaker	Ampere Rating	Wire Type	AWG Wire Range	Metric Wire Range mm <sup>2</sup>
F-Frame	100	Cu/Al	14 - 1/0	2.5 - 50
	225		14 - 4/0	25 - 95

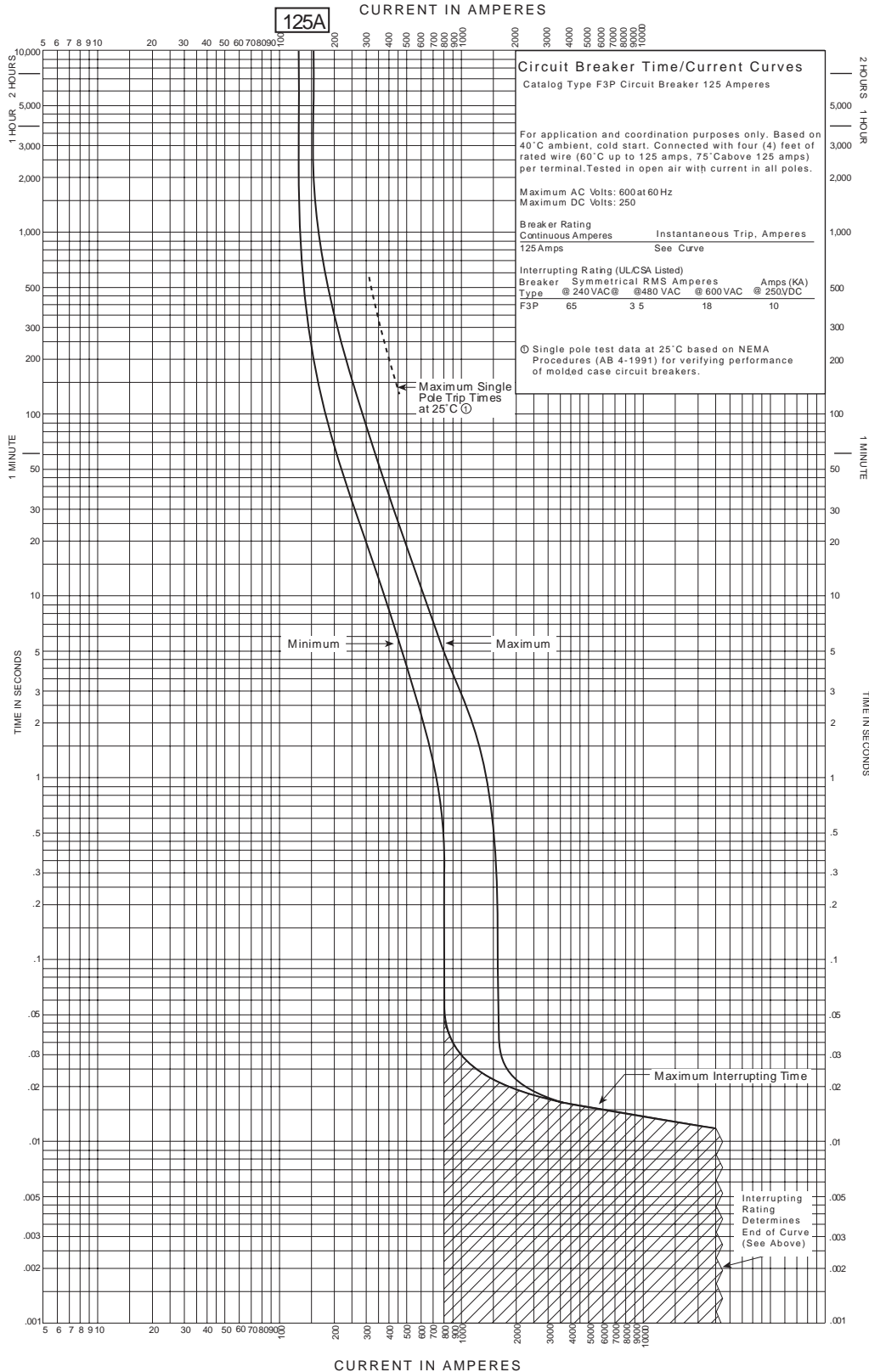
# MOLDED CASE CIRCUIT BREAKERS 100 AMP F-FRAME



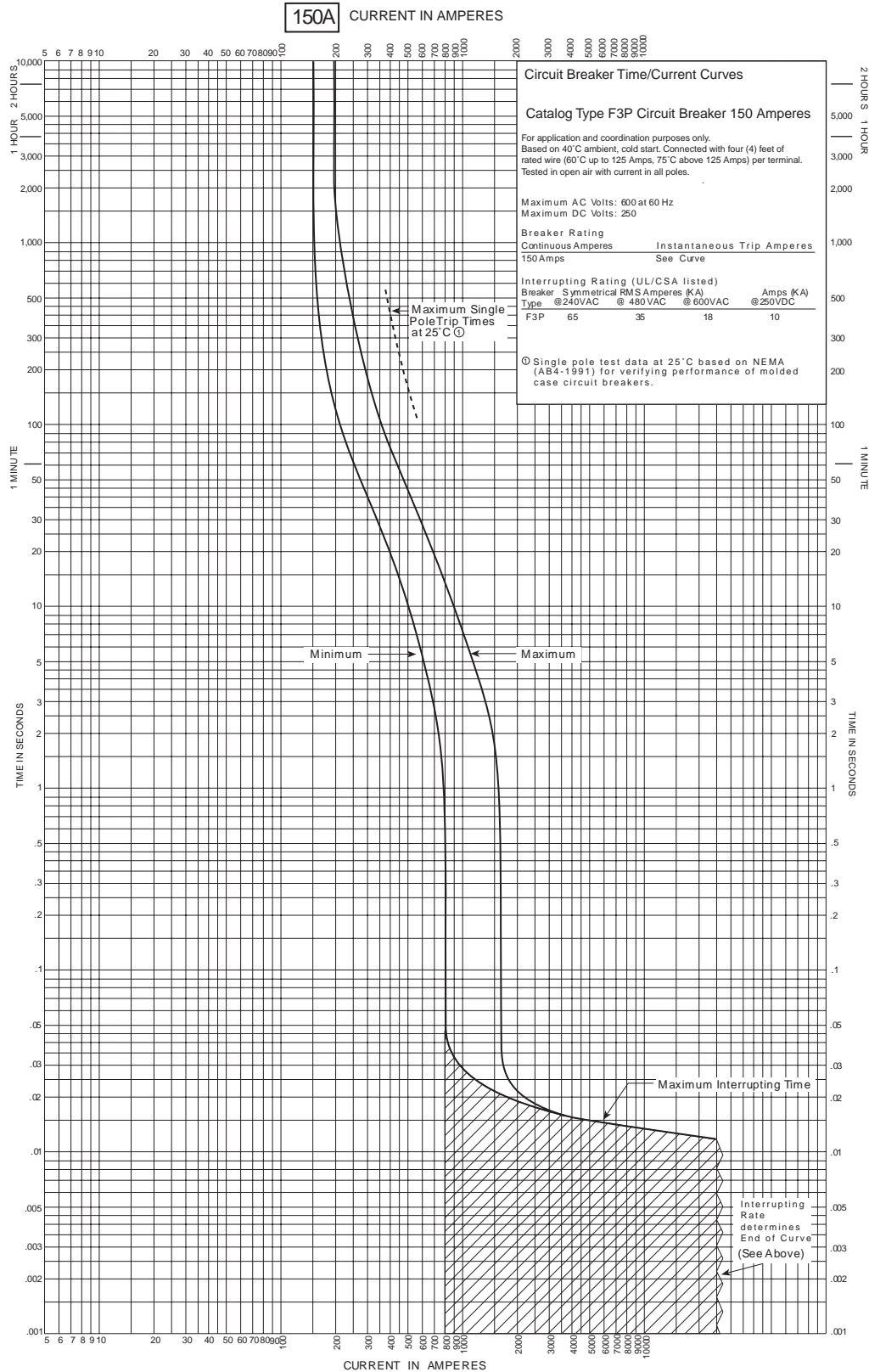
# MOLDED CASE CIRCUIT BREAKERS 125 AMP F-FRAME



Cutler-Hammer



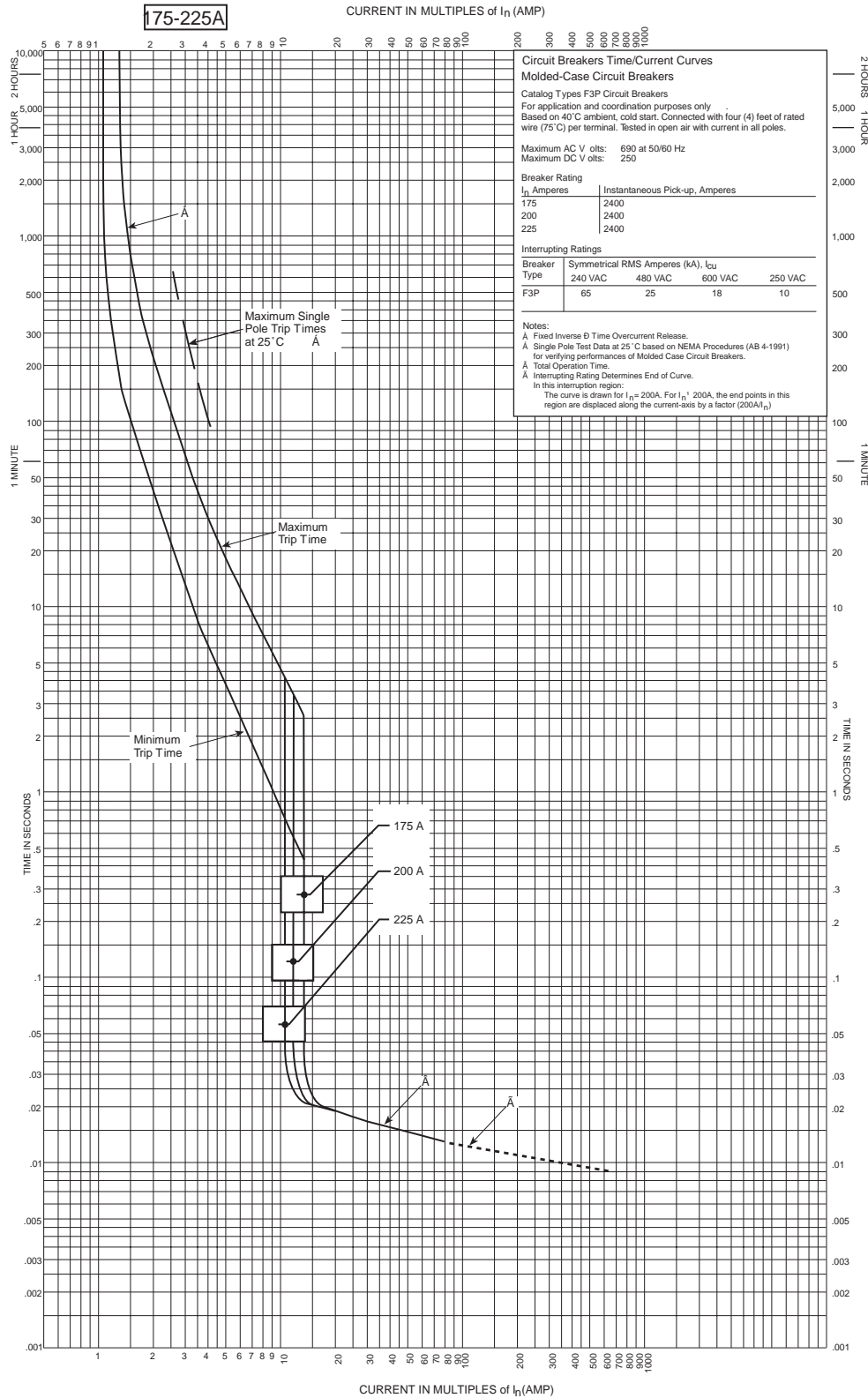
# MOLDED CASE CIRCUIT BREAKERS 150 AMP F-FRAME



# MOLDED CASE CIRCUIT BREAKERS 175-225 AMP F-FRAME



Cutler-Hammer





# MOLDED CASE CIRCUIT BREAKERS 250-400 AMP K-FRAME

K-Frame circuit breakers are available as individual components or in a kit. Breaker frame includes 3-pole adjustable magnetic trip. Available accessories are field installable on this frame size.

All breakers include base mounting hardware for panel mount applications.



**K3P-400 shown**



**KHMVD12B**



**F3S03C**



**A1X3PK**



**SNT3P04K**



**3TA401K**



**UVH3LP08K**

K-Frame Series Three Pole Molded Case Circuit Breakers					
Part Number	Description	Kits	Ampere Rating	Voltage	Interrupt Capacity
<b>K3P-250</b>	Molded case circuit breaker with thermal magnetic trip; line and load lug terminals included.	Single unit only	250	240VAC 480VAC 600VAC 250VDC	65kA 35kA 25kA 10kA*
<b>K3P-250-AUX</b>		Kit includes K3P-250 and A1X3PK			
<b>K3P-250-STAC</b>		Kit includes K3P-250 and SNT3P11K			
<b>K3P-250-STDC</b>		Kit includes K3P-250 and SNT3P04K			
<b>K3P-250-UVAC</b>		Kit includes K3P-250 and UVH3LP08K			
<b>K3P-250-UVDC</b>		Kit includes K3P-250 and UVH3LP21K			
<b>K3P-300</b>	Molded case circuit breaker with thermal magnetic trip; line and load lug terminals included.	Single unit only	300		
<b>K3P-300-AUX</b>		Kit includes K3P-300 and A1X3PK			
<b>K3P-300-STAC</b>		Kit includes K3P-300 and SNT3P11K			
<b>K3P-300-STDC</b>		Kit includes K3P-300 and SNT3P04K			
<b>K3P-300-UVAC</b>		Kit includes K3P-300 and UVH3LP08K			
<b>K3P-300-UVDC</b>		Kit includes K3P-300 and UVH3LP21K			
<b>K3P-350</b>	Molded case circuit breaker with thermal magnetic trip; line and load lug terminals included.	Single unit only	350		
<b>K3P-350-AUX</b>		Kit includes K3P-350 and A1X3PK			
<b>K3P-350-STAC</b>		Kit includes K3P-350 and SNT3P11K			
<b>K3P-350-STDC</b>		Kit includes K3P-350 and SNT3P04K			
<b>K3P-350-UVAC</b>		Kit includes K3P-350 and UVH3LP08K			
<b>K3P-350-UVDC</b>		Kit includes K3P-350 and UVH3LP21K			
<b>K3P-400</b>	Molded case circuit breaker with thermal magnetic trip; line and load lug terminals included.	Single unit only	400		
<b>K3P-400-AUX</b>		Kit includes K3P-400 and A1X3PK			
<b>K3P-400-STAC</b>		Kit includes K3P-400 and SNT3P11K			
<b>K3P-400-STDC</b>		Kit includes K3P-400 and SNT3P04K			
<b>K3P-400-UVAC</b>		Kit includes K3P-400 and UVH3LP08K			
<b>K3P-400-UVDC</b>		Kit includes K3P-400 and UVH3LP21K			

\*Note: Two outside poles of 3-pole circuit breaker.

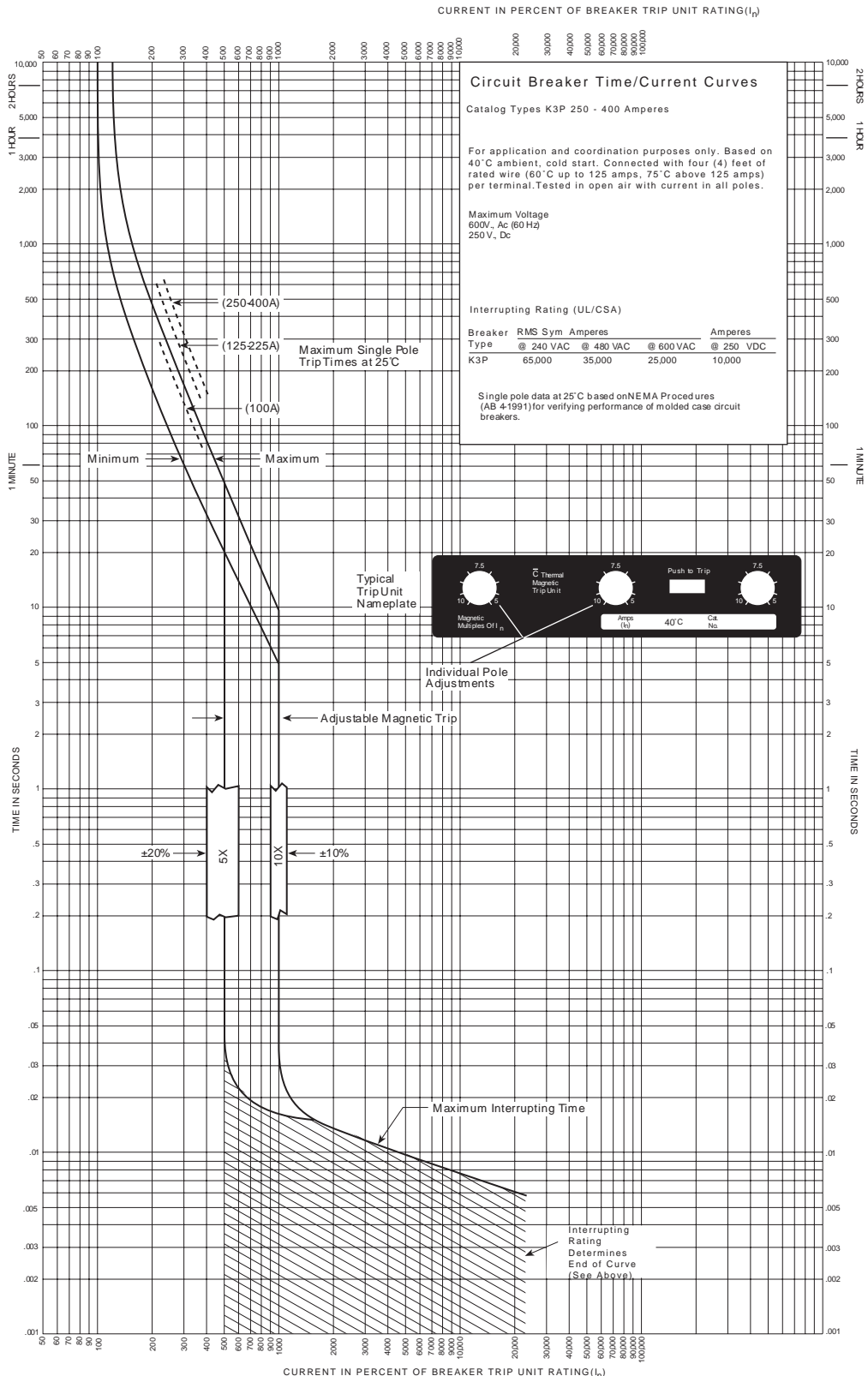
K-Frame Accessory Selection Guide	
Part Number	Description
<b>KHMVD12B</b>	NEMA 1/12 rotary handle for K-Frame.. Position indicating. Lock-off feature. Shaft length: 12"
<b>F3S03C</b>	NEMA 1/12 flexible shaft handle for K-Frame. Flange Mounted. Lockable. Shaft length: 4'
<b>A1X3PK</b>	Field installable auxiliary contact for K-Frame MCCB
<b>SNT3P11K</b>	Field installable 120/240VAC shunt trip for K-Frame
<b>SNT3P04K</b>	Field installable 12/24VDC/VAC shunt trip for K-Frame
<b>3TA401K</b>	Replacement lug kit for K-Frame. Package of 3
<b>UVH3LP08K</b>	Field installable 120/240VAC undervoltage release for K-Frame
<b>UVH3LP21K</b>	Field installable 12/24VDC/VAC undervoltage release for K-Frame

AWG Wire Range Specifications				
Circuit Breaker	Ampere Rating	Wire Type	AWG Wire Range	Metric Wire Range mm <sup>2</sup>
K-Frame	250 - 350	Cu/Al	250 - 500 (1)	120 - 240
	400		3/0 - 250 (2)	95 - 120

# MOLDED CASE CIRCUIT BREAKERS 250-400 AMP K-FRAME



Cutler-Hammer



# MOLDED CASE CIRCUIT BREAKERS 400-600 AMP L-FRAME

L-Frame circuit breakers are available as individual components or in a kit. Breaker frame includes 3-pole adjustable magnetic trip. Available accessories are

field installable on this frame size. All breakers include base mounting hardware for panel mount applications.



**L3P-600 shown**

L-Frame Series Three Pole Molded Case Circuit Breakers					
Part Number	Description	Kits	Ampere Rating	Voltage	Interrupt Capacity
<b>L3P-400</b>	Molded case circuit breaker with thermal magnetic trip; line and load lug terminals included.	Single unit only	400	240VAC 480VAC 600VAC 250VDC	65kA 35kA 25kA 22kA*
<b>L3P-400-AUX</b>		Kit includes L3P-400 and A1X4PK			
<b>L3P-400-STAC</b>		Kit includes L3P-400 and SNT4RP11K			
<b>L3P-400-STDC</b>		Kit includes L3P-400 and SNT4RP03K			
<b>L3P-400-UVAC</b>		Kit includes L3P-400 and UVH4LP08K			
<b>L3P-400-UVDC</b>		Kit includes L3P-400 and UVH4LP21K			
<b>L3P-500</b>	Molded case circuit breaker with thermal magnetic trip; line and load lug terminals included.	Single unit only	500	240VAC 480VAC 600VAC 250VDC	65kA 35kA 25kA 22kA*
<b>L3P-500-AUX</b>		Kit includes L3P-500 and A1X4PK			
<b>L3P-500-STAC</b>		Kit includes L3P-500 and SNT4RP11K			
<b>L3P-500-STDC</b>		Kit includes L3P-500 and SNT4RP03K			
<b>L3P-500-UVAC</b>		Kit includes L3P-500 and UVH4LP08K			
<b>L3P-500-UVDC</b>		Kit includes L3P-500 and UVH4LP21K			
<b>L3P-600</b>	Molded case circuit breaker with thermal magnetic trip; line and load lug terminals included.	Single unit only	600	240VAC 480VAC 600VAC 250VDC	65kA 35kA 25kA 22kA*
<b>L3P-600-AUX</b>		Kit includes L3P-600 and A1X4PK			
<b>L3P-600-STAC</b>		Kit includes L3P-600 and SNT4RP11K			
<b>L3P-600-STDC</b>		Kit includes L3P-600 and SNT4RP03K			
<b>L3P-600-UVAC</b>		Kit includes L3P-600 and UVH4LP08K			
<b>L3P-600-UVDC</b>		Kit includes L3P-600 and UVH4LP21K			

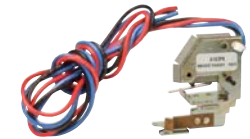
\*Note: Two outside poles of 3-pole circuit breaker.



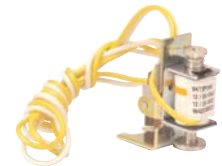
**LHMVD12B**



**F4S04C**



**A1X4PK**



**SNT4RP03K**



**3TA603LDK**



**UVH4LP08K**

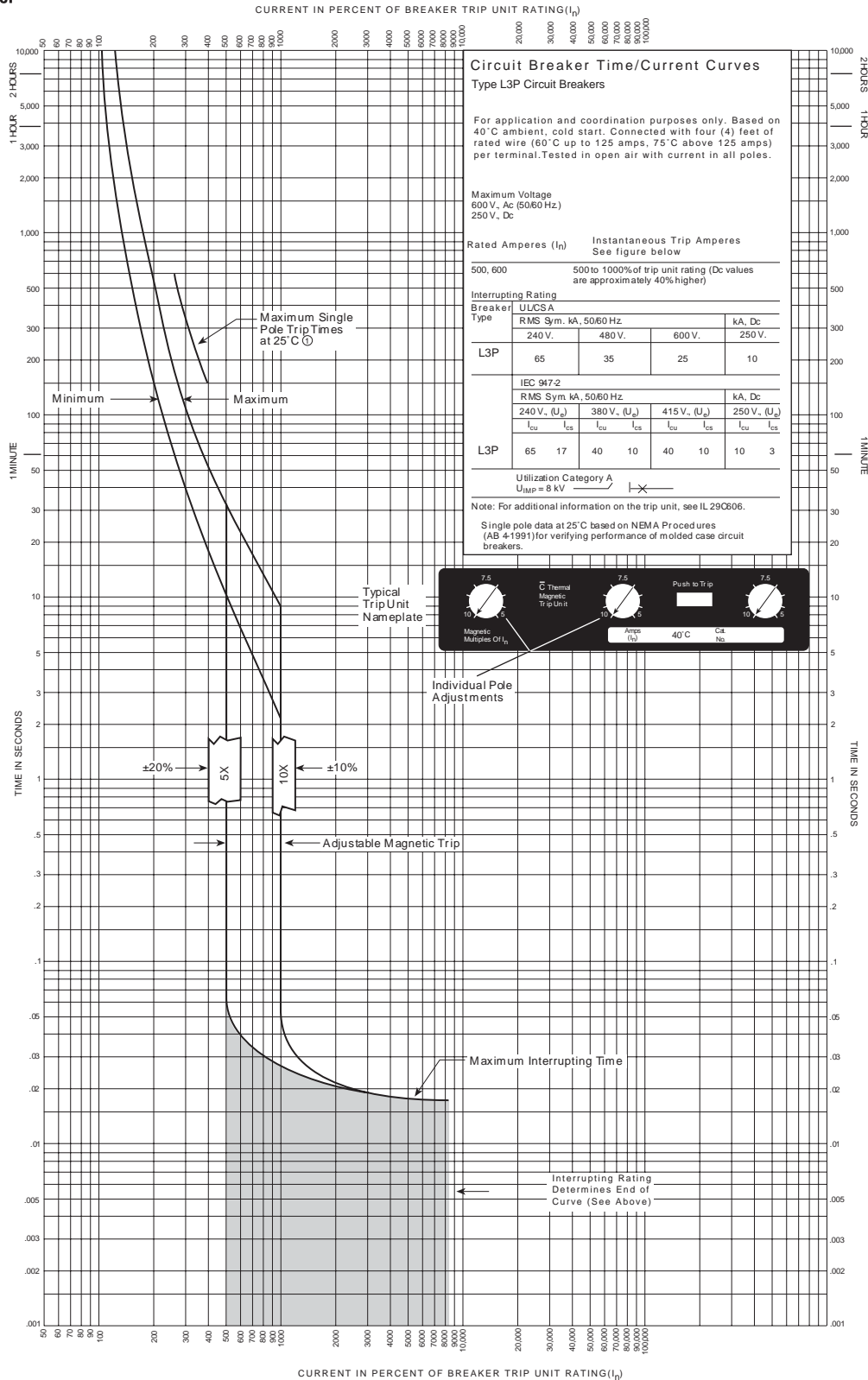
L-Frame Accessory Selection Guide	
Part Number	Description
<b>LHMVD12B</b>	NEMA 1/12 rotary handle for L-Frame. Position indicating. Lock-off feature. Shaft length: 12"
<b>F4S04C</b>	NEMA 1/12 flexible shaft handle for L-Frame. Flange mounted. Lockable. Shaft length: 4"
<b>A1X4PK</b>	Field installable auxiliary contact for L-Frame MCCB
<b>SNT4RP11K</b>	Field installable 120/240VAC shunt trip for L-Frame
<b>SNT4RP03K</b>	Field installable 12/24VDC/VAC shunt trip for L-Frame
<b>3TA603LDK</b>	Replacement lug kit for L-Frame. Rated 600A. Package of 3
<b>UVH4LP08K</b>	Field installable 120/240VAC undervoltage release for L-Frame
<b>UVH4LP21K</b>	Field installable 12/24VDC/VAC undervoltage release for L-Frame

AWG Wire Range Specifications				
Circuit Breaker	Ampere Rating	Wire Type	AWG Wire Range	Metric Wire Range mm <sup>2</sup>
L-Frame	400	Cu/Al	4/0 - 600 (1)	120 - 300
	500		3/0 - 350 (2)	95 - 150
	600		400 - 500 (2)	185 - 240

# MOLDED CASE CIRCUIT BREAKERS 400-600 AMP L-FRAME

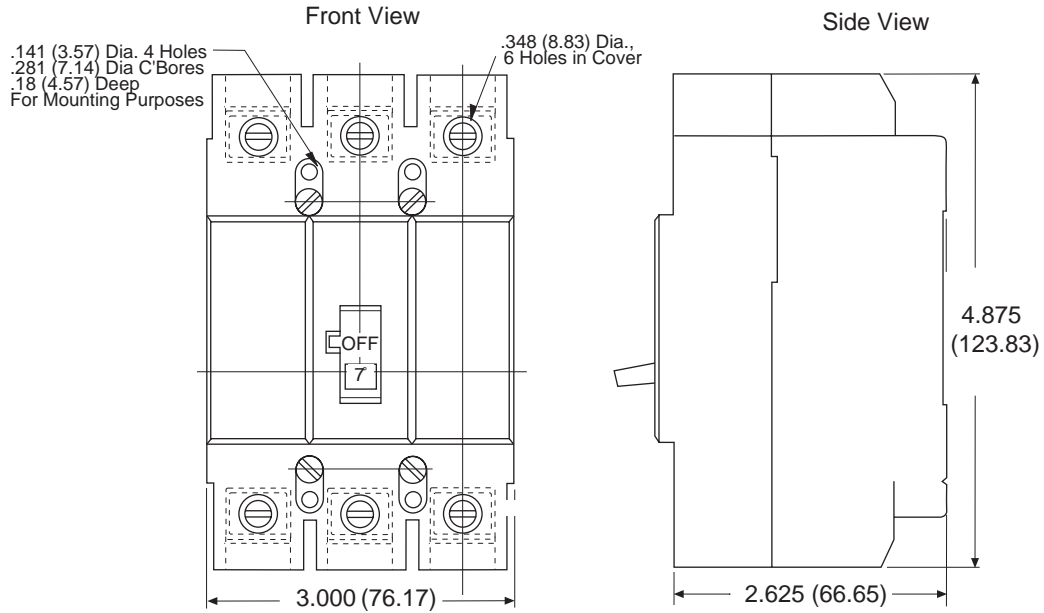


Cutler-Hammer

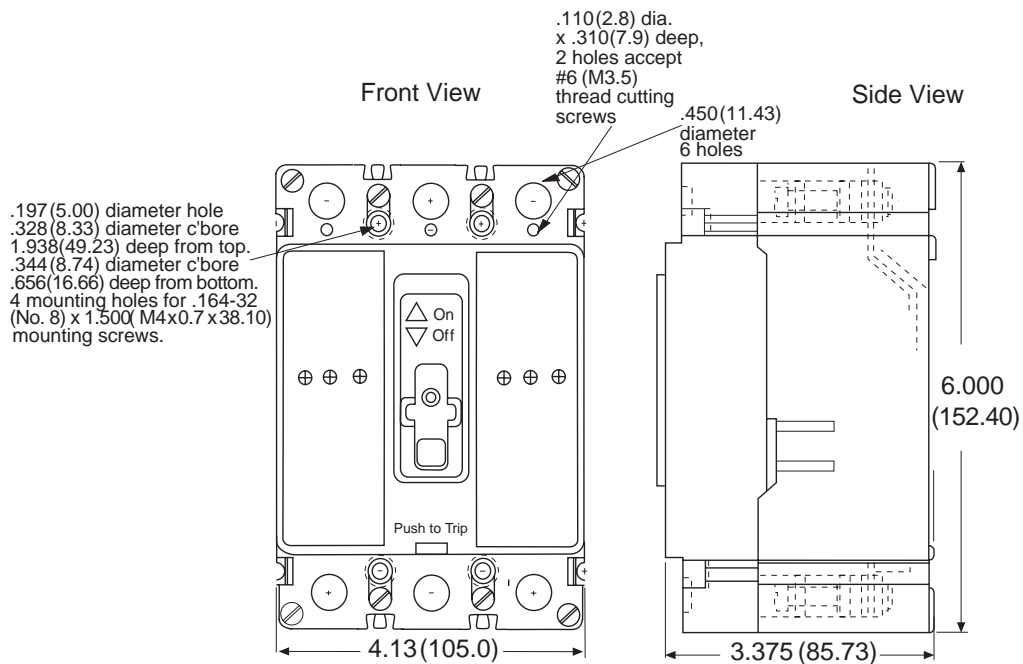


# MOLDED CASE CIRCUIT BREAKERS – DIMENSIONS

## 15 - 100Amp G-Frame



## 100 - 225Amp F-Frame

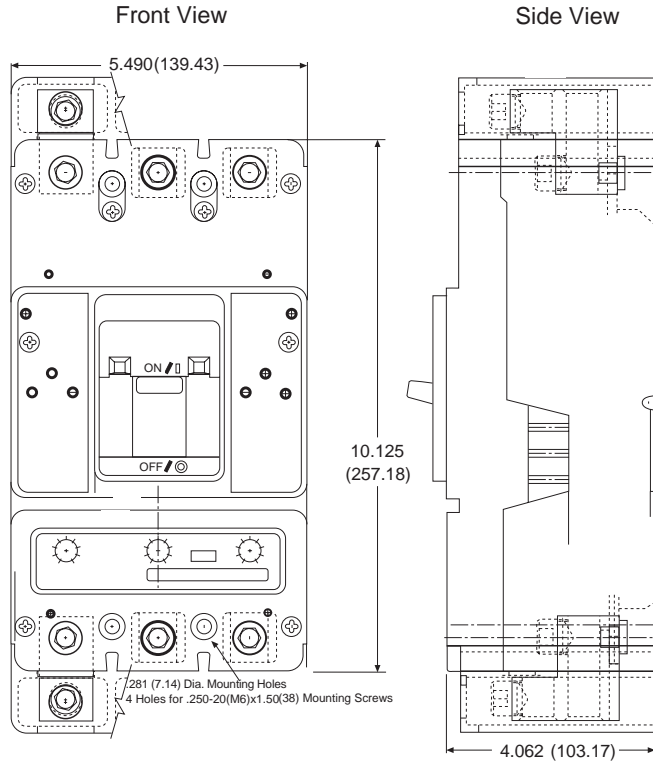


# MOLDED CASE CIRCUIT BREAKERS — DIMENSIONS

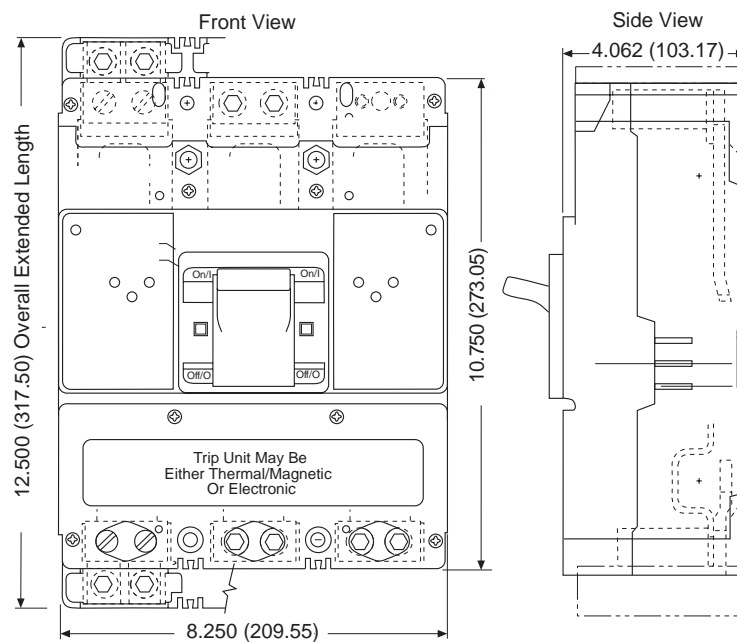


Cutler-Hammer

## 250 - 400Amp K-Frame



## 400 - 600Amp L-Frame



# MOLDED CASE CIRCUIT BREAKERS – ACCESSORIES

## Field Mountable Accessories



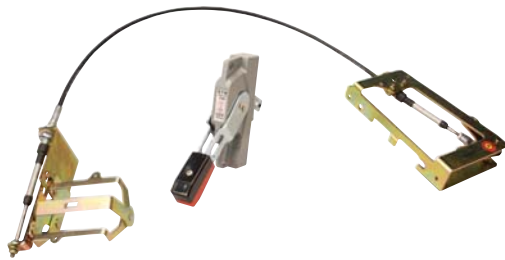
**GHMVD12B shown**

### Rotary Handle

There is a universal rotary handle for each frame size of our molded case circuit breakers. This handle is suitable for use with NEMA 1 or NEMA 12 enclosures. Features include:

- Large handle easily accommodates gloves
- Global ON/OFF markings (I/ON, O/OFF) and TRIP indication on handle
- Access Handle Lock-Off by pressing arrow on handle insert
- Door interlock and defeater
- Metal shaft and base
- Pipe valve operation (ON=Vertical, OFF=Horizontal) with 90 degree rotation
- UL 489, IEC 947-1/-2, CSA

Rotary Handle Accessory Selection Guide	
Part Number	Description
<b>GHMVD12B</b>	NEMA 1/12 black rotary handle for G-Frame MCCB. Shaft length: 12"
<b>FHMVD12B</b>	NEMA 1/12 black rotary handle for F-Frame MCCB. Shaft length: 12"
<b>KHMVD12B</b>	NEMA 1/12 black rotary handle for K-Frame MCCB. Shaft length: 12"
<b>LHMVD12B</b>	NEMA 1/12 black rotary handle for L-Frame MCCB. Shaft length: 12"



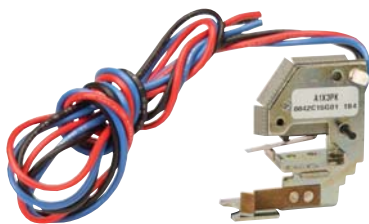
**F0S03C shown**

### Flexible Handle

Meeting crucial time limits for shutdown procedures is easier with an externally mounted handle. The flexible handle makes it possible to operate the circuit breaker externally, and can be used in enclosures of varying depths and heights. It can be used with NEMA 1, NEMA 3R and NEMA 12 enclosures, and accepts up to three padlock shackles.

*Note: A minimum bending radius of four inches is necessary for proper operation.*

Flexible Handle Accessory Selection Guide	
Part Number	Description
<b>F0S03C</b>	NEMA 1/12 flexible shaft handle for G-Frame MCCB. Shaft length: 3'
<b>F1S03C</b>	NEMA 1/12 flexible shaft handle for F-Frame MCCB. Shaft length: 3'
<b>F3S03C</b>	NEMA 1/12 flexible shaft handle for K-Frame MCCB. Shaft length: 4'
<b>F4S04C</b>	NEMA 1/12 flexible shaft handle for L-Frame MCCB. Shaft length: 4'



**A1X3PK shown**

### Auxiliary Contact

The auxiliary contact provides circuit breaker contact status information by monitoring the position of the molded cross bar which contains the moving contact arms. The auxiliary switch is used for remote indication and interlock system verification, and consists of one or two SPDT switches housed in a plug-in module. Each SPDT switch has one 'a' and one 'b' contact. When the circuit breaker contacts are open, the 'a' contact is open and the 'b' contact is closed.

Auxiliary Contact Accessory Selection Guide	
Part Number	Description
<b>A1X3PK</b>	Field installable auxiliary contact for K-Frame MCCB
<b>A1X4PK</b>	Field installable auxiliary contact for L-Frame MCCB



**EAT•N**

Cutler-Hammer

# MOLDED CASE CIRCUIT BREAKERS – ACCESSORIES

## Shunt Trip Accessory

The Shunt Trip provides remote controlled tripping of the circuit breaker. Consisting of an intermittent rated solenoid with a tripping plunger and a cutoff switch assembled to a plug-in module, shunt trip coils are designed to be applied at specific AC or DC voltages.

### Shunt Trip Accessory Selection Guide

Part Number	Description
<b>SNT3P11K</b>	Field installable 120/240VAC shunt trip for K-Frame MCCB.
<b>SNT4RP11K</b>	Field installable 120/240VAC shunt trip for L-Frame MCCB
<b>SNT3P04K</b>	Field installable 12/24VDC/AC shunt trip for K-Frame MCCB
<b>SNT4RP03K</b>	Field installable 12/24VDC/AC shunt trip for L-Frame MCCB

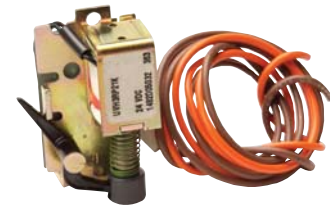
**SNT3P04K shown**

## Undervoltage Release Accessory

This product monitors a voltage (typically a line voltage) and trips the circuit breaker when the voltage falls to between 70% and 35% of the solenoid coil rating. It consists of a continuous rated solenoid, with a plunger and tripping lever mounted in a plug-in module.

### Undervoltage Release Accessory Selection Guide

Part Number	Description
<b>UVH3LP08K</b>	Field installable 120/240VAC undervoltage release for K-Frame MCCB
<b>UVH4LP08K</b>	Field installable 120/240VAC undervoltage release for L-Frame MCCB
<b>UVH3LP21K</b>	Field installable 12/24VDC/AC undervoltage release for K-Frame MCCB
<b>UVH4LP21K</b>	Field installable 12/24VDC/AC undervoltage release for L-Frame MCCB

**UVH3LP21K shown**

## Six-wire Connector

This is a field installable multi-wire connector which allows six wires to be connected to the load side (OFF) end terminals. It is used to distribute the load from the circuit breaker to multiple devices without the use of separate distribution terminal blocks. UL listed for copper only as used on the load side (OFF) end. Includes mounting hardware, insulators and tin-plated aluminum connectors.

### Six-wire Connector Accessory Selection Guide

Part Number	Description
<b>3TA100G6K</b>	For G-Frame MCCBs. Pkg. of 3.
<b>3TA150F6K</b>	For F-Frame MCCBs. Pkg. of 3.

**3TA100G6K shown**

## Replacement Lug Kit

Save valuable panel space and wiring time by eliminating terminal blocks. Multi-wire lug kit includes mounting hardware, insulators and tin-plated aluminum connectors to replace three mechanical load lugs. UL listed for copper only as used on the load side (OFF) end.

### Replacement Lug Kit Accessory Selection Guide

Part Number	Description
<b>3TA225FD</b>	Replacement lug kit for F-Frame MCCB. Package of 3
<b>3TA401K</b>	Replacement lug kit for K-Frame MCCB. Package of 3
<b>3TA603LDK</b>	Replacement lug kit for L-Frame MCCB. Package of 3

**3TA401K shown**

## Din Rail Mounting Clip

### Din Rail Mount Clip Accessory Selection Guide

Part Number	Description
<b>GDIN</b>	Clip for mounting G-Frame to 35mm Din rail. Mounting hardware included. Pkg of 1

**GDIN**