

ENCLOSURES OVERVIEW

AutomationDirect has teamed up with Hubbell/Wiegmann to offer a full line of NEMA industrial enclosures and accessory parts. You've invested time, talent, and money in your control system. Protect it with a quality enclosure.

What is a NEMA enclosure?

NEMA enclosures meet the National Electrical Manufacturers Association standards for performance and protection of the electrical equipment installed within them. They are typically made from carbon steel or stainless steel. NEMA enclosures range in size from small pushbutton boxes to room-size panels. Enclosures are given a NEMA rating according to the types of applications the enclosure serves.

What are NEMA enclosures used for?

NEMA enclosures house all kinds of electrical components from simple terminal blocks, to industrial automation systems, to high voltage switchgear. In industrial automation systems, NEMA enclosures often house motor controls, drives, PLC/PC control systems, pushbuttons, and termination systems. Some enclosures are shaped to be operator consoles.

Who is Hubbell/Wiegmann?

Hubbell Incorporated has been in business since the late 1800s. Like his contemporaries, Edison, Ford, and Westinghouse, Harvey Hubbell II contributed to both spheres of progress: new design and manufacturing innovation. Wiegmann has been building high quality industrial enclosures for over 75 years. In 1994, the company was purchased from the Wiegmann family by Hubbell Electrical Products. With the resources and backing of Hubbell, millions of dollars have been injected into the Wiegmann manufacturing facility. Foamed-in-place gaskets, powder coating, and smooth plasma corner welding are only a few of the new

product innovations. The enclosures are made in Freeburg, Illinois by skilled craftsmen with the aid of sophisticated Computer Numerical Controlled machinery. Wiegmann supplies enclosures for the OEM, commercial construction, and MRO markets. Wiegmann continues to modernize and automate their enclosure manufacturing facility.

Why did we choose to offer Hubbell/Wiegmann enclosures?

Integrators and OEMs need high-quality enclosures for their control systems.

We have thousands of customers using our PLCs, motor drives, contactors, and terminal blocks. Enclosures are needed for every control system. We decided to team up with one of the largest enclosure manufacturers in North America to offer you the quality and value you've become accustomed to from AUTOMATIONDIRECT.

Do we have the enclosure you need?

AUTOMATIONDIRECT offers over 1200 part numbers across NEMA 1, 3R, 4, 4X, 12, and 4/12 standards, ready for immediate shipment. We offer same-day shipping on select enclosure models and accessories direct from the Hubbell/Wiegmann manufacturing facility in Freeburg, IL. Other sizes and products can be shipped within 10 days.

Using electronic brokering, we can offer a wide selection of enclosure styles and sizes at great savings to our customers. In most cases, you can purchase an enclosure from us for half of the competitors' list prices. While AUTOMATIONDIRECT does not offer custom enclosures, one of our wide selection of quality Hubbell/Wiegmann enclosures should be perfect for your practical industrial automation solution.



NEMA 1

Wall-Mount Enclosures

Small, Medium, and Large NIC, Junction Boxes
Series: N1C, N1C_LP, SC, SC_G, SC_NK, SC_GNK



NEMA 4/12

Single Door, Wall-Mount Enclosures

Series: N412, N412_SS (stainless steel)



**floor-mount
available
also**

NEMA 4X and other Stainless Steel Enclosures

(All parts are 304 stainless steel)

NEMA 4X Series: BN4_SS, BN4_CHSS, SSN4, SSN4D

Other Stainless Steel: N412_SS (see NEMA 412)
PBSS (see NEMA 12 Pushbuttons)
P_SS (see subpanels)

NOTE:

An underscore indicates numbers. (Example: the BN4_CH series has enclosure BN4060604CH. There is no underscore shown for trailing digits.)



NEMA 12

“JIC” Wall-Mount Enclosures

Series: B, B_SC, JIC, B_CH, WA_GIE



NEMA 12

Single/Two-Door, Wall-Mount Enclosures

Series: N12, WA_WF, WA_FM



NEMA 12

Floor-Mount and Freestanding Enclosures

Series: N12, WA_FS, WA_FSD, WA_FSDA, WA_FSDAD, WA_M_E



NEMA 4

“JIC” Wall Mount Enclosures

Series: BN4, BN4_CH



NEMA 4

Single-Door, Wall-Mount Enclosures

Series: N4



NEMA 4

Floor-Mount and Freestanding Enclosures

Series: N4D, N4S_FS



NEMA 3R

Wall Mount Junction Boxes and Wiring Trough

Series: RSC, RHC, RSCG



NEMA 12

Pushbutton Enclosures

Series: PB, PBGX, PBXD, PBYX, PSL, WPBA
PBSS(stainless steel)



NEMA 12

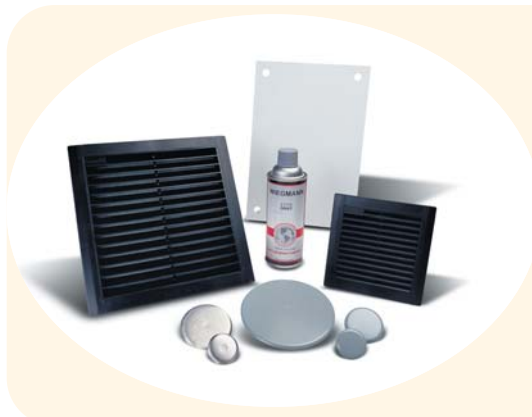
Operator Consoles

Series: W, W1C, WC_B, WC_BD, WC_C, WC_P, WC_T, WC_W, WA_CCOL, WA_PCOL, WA_BASE



Subpanels and Panel Accessories

Series: P, N1P, NP, NPDD, P_SS, WA_P_F, WA_SMP, WA_SOF, WA_FSCPS



Enclosure Accessories

Fans and filters: WPF_BK, WPF_-BK, WPGA_BK, WPGA, WPFM

Vortex coolers: W7

Hole seals: WAS, WAS_SS, WASPB, WASPBG, WASPBSS

Document pockets: WAPPL

Lights kits and accessories: WDL,WKL, LHPC

Feet/support kits: FK SSFK, WAPS, WA_C

Locks and latches: N1C_T series, N1C_TKL series
All N412 series, All WA and WAEK series



NEMA 1 SMALL HINGED WALL MOUNT



Applications

Designed for use as control enclosures and instrument cases in areas not requiring oil-tight and dust-tight specifications.

Construction

- Bodies and doors fabricated from 16 or 14 gauge steel
- Continuous hinged covers
- Weldnuts provided for mounting optional subpanels
- Flush latch on lid can be operated by a coin or screwdriver
- Mounting holes on back of cabinet
- Grounding provisions provided

Finish

- ANSI-61 gray polyester powder inside and out over phosphatized surface
- Optional subpanels are white polyester powder over phosphatized surfaces

Listings

- UL 50, Type 1
- UL Files E6924
- CSA Certified, Type 1
- CSA Files LL66078
- NEMA/EEMAC Type 1

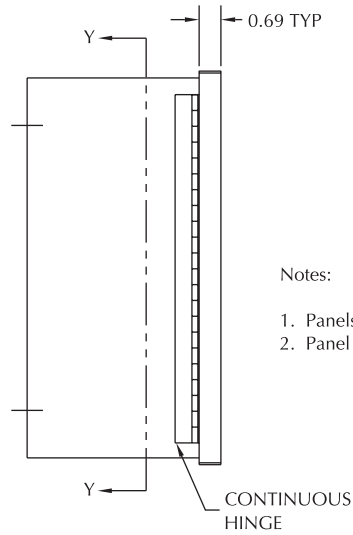
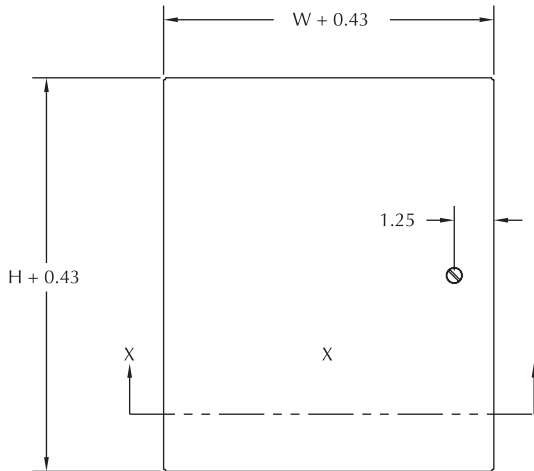
Enclosure Shipping Schedule		
Same day	1 - 7 days	1 -10 days
Color indicates shipping lead time in business days.		

Part Number	Price	Body/Door	Enclosure Size HxWxD	Subpanel P/N	Price	Subpanel Size AxB	Subpanel Gauge
<i>N1C060604</i>	check	16/16	6x6x4 (152x152x102)	<i>N1P0606</i>	check	4.25x4.25 (108x108)	14
<i>N1C060804</i>	check	16/16	8x6x4 (203x152x102)	<i>N1P0608</i>	check	6.25x4.25 (159X108)	14
<i>N1C060806</i>	check	16/16	8x6x6 (203x152x152)	<i>N1P0608</i>	check	6.25x4.25 (159X108)	14
<i>N1C080804</i>	check	16/16	8x8x4 (203x203x102)	<i>N1P0808</i>	check	6.25x6.25 (159X159)	14
<i>N1C080806</i>	check	16/16	8x8x6 (203x203x152)	<i>N1P0808</i>	check	6.25x6.25 (159X159)	14
<i>N1C081004</i>	check	16/16	10x8x4 (254x203x102)	<i>N1P0810</i>	check	8.25x6.25 (210x159)	14
<i>N1C081006</i>	check	16/16	10x8x6 (254x203x152)	<i>N1P0810</i>	check	8.25x6.25 (210x159)	14
<i>N1C101004</i>	check	16/16	10x10x4 (254x254x102)	<i>N1P1010</i>	check	8.25x8.25 (210x210)	14
<i>N1C101006</i>	check	16/16	10x10x6 (254x254x152)	<i>N1P1010</i>	check	8.25x8.25 (210x210)	14
<i>N1C101204</i>	check	16/16	12x10x4 (305x254x102)	<i>N1P1012</i>	check	10.25x8.25 (260x210)	14
<i>N1C101206</i>	check	16/16	12x10x6 (305x254x152)	<i>N1P1012</i>	check	10.25x8.25 (260x210)	14
<i>N1C121204</i>	check	16/16	12x12x4 (305x305x102)	<i>N1P1212</i>	check	10.25x10.25 (260x260)	14
<i>N1C121206</i>	check	16/16	12x12x6 (305x305x152)	<i>N1P1212</i>	check	10.25x10.25 (260x260)	14
<i>N1C121208</i>	check	16/16	12x12x8 (305x305x203)	<i>N1P1212</i>	check	10.25x10.25 (260x260)	14
<i>N1C121404</i>	check	16/16	14x12x4 (356x305x102)	<i>N1P1214</i>	check	12.25x10.25 (311x260)	14
<i>N1C121406</i>	check	16/16	14x12x6 (356x305x152)	<i>N1P1214</i>	check	12.25x10.25 (311x260)	14
<i>N1C121408</i>	check	14/14	14x12x8 (356x305x203)	<i>N1P1214</i>	check	12.25x10.25 (311x260)	14
<i>N1C121606S</i>	check	16/16	16x12x6 (406x305x152)	<i>N1P1216</i>	check	14.25x10.25 (362x260)	14
<i>N1C122006</i>	check	14/14	20x12x6 (508x305x152)	<i>N1P1220</i>	check	18.25x10.25 (464x260)	14

Note: Subpanels must be ordered separately. Dimensions in inches (millimeters); letters in table correspond to letters on dimensional drawings.

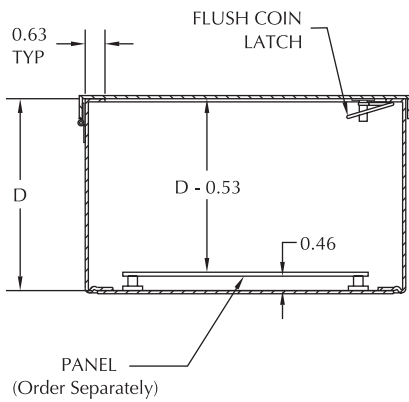
NEMA 1 SMALL HINGED WALL MOUNT

Dimensions

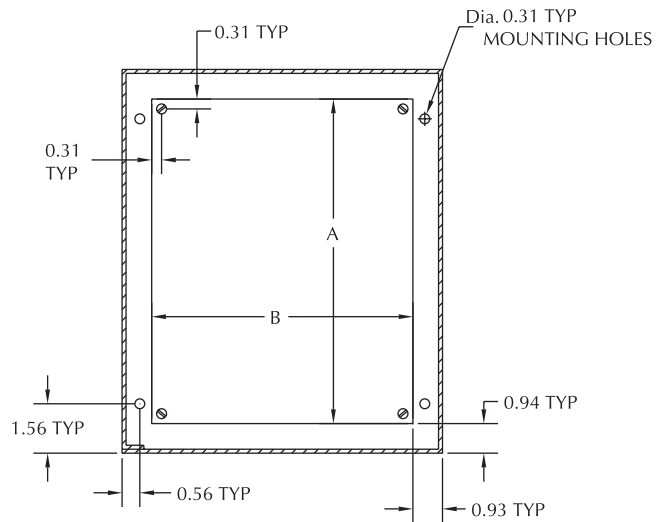


Notes:

1. Panels are 14 Ga. steel.
2. Panel screws are #10-32.



SECTION X-X



SECTION Y-Y



NEMA 1 MEDIUM HINGED WALL MOUNT



Applications

Designed for use in control and instrumentation applications in areas that do not require oil-tight and dust-tight specifications.

Construction

- Bodies and doors fabricated from 14 gauge steel
- Mounting holes on back of cabinet
- Collar studs provided for mounting optional subpanel
- Doors furnished standard with flush mount quarter-turn style latch
- Doors secured by butt hinges
- Grounding provisions provided

Finish

- ANSI-61 gray polyester powder inside and out over phosphatized surfaces
- Optional subpanels are white polyester powder over phosphatized surfaces

Listings

- UL 50, Type 1
- UL File E6924
- CSA Certified, Type 1
- CSA File LL66078
- NEMA/EEMAC Type 1

Enclosure Shipping Schedule		
Same day	1 - 7 days	1 -10 days
Color indicates shipping lead time in business days.		



Part Number	Price	Body/Door	Enclosure Size HxWxD	Subpanel P/N	Price	Subpanel Size AxB	Subpanel Steel Gauge	E	F	G	I	K	L
N1C121606LP	check	14/14	16x12x6.75 (406x305x171)	N1P1216L	check	13x10.5 (330x267)	14	13.88 (352)	7 (178)	2.5 (64)	1.06 (27)	5.974 (152)	1.5 (38)
N1C121608LP	check	14/14	16x12x8.75 (406x305x222)	N1P1216L	check	13x10.5 (330x267)	14	13.88 (352)	7 (178)	2.5 (64)	1.06 (27)	7.974 (203)	1.5 (38)
N1C161606LP	check	14/14	16x16x6.75 (406x406x171)	N1P1616	check	13x14.5 (330x368)	14	13.88 (352)	11 (279)	2.5 (64)	1.06 (27)	5.974 (152)	1.5 (38)
N1C162006LP	check	14/14	20x16x6.75 (508x406x171)	N1P1620	check	17x14.5 (432x368)	14	17.88 (454)	11 (279)	2.5 (64)	1.06 (27)	5.974 (152)	1.5 (38)
N1C162008LP	check	14/14	20x16x8.75 (508x406x222)	N1P1620	check	17x14.5 (432x368)	14	17.88 (454)	11 (279)	2.5 (64)	1.06 (27)	7.974 (203)	1.5 (38)
N1C162406LP	check	14/14	24x16x6.75 (610x406x171)	N1P1624	check	21x14.5 (533x368)	14	21.88 (556)	11 (279)	2.5 (64)	1.06 (27)	5.974 (152)	1.5 (38)
N1C201606LP	check	14/14	16x20x6.75 (406x508x171)	N1P2016	check	13x18.5 (330x470)	14	13.88 (352)	15 (381)	2.5 (64)	1.06 (27)	5.974 (152)	1.5 (38)
N1C202006LP	check	14/14	20x20x6.75 (508x508x171)	N1P2020	check	17x18.5 (432x470)	14	17.88 (454)	15 (381)	2.5 (64)	1.06 (27)	5.974 (152)	1.5 (38)
N1C202008LP	check	14/14	20x20x8.75 (508x508x222)	N1P2020	check	17x18.5 (432x470)	14	17.88 (454)	15 (381)	2.5 (64)	1.06 (27)	7.974 (203)	1.5 (38)
N1C202406LP	check	14/14	24x20x6.75 (610x508x171)	N1P2024	check	21x18.5 (533x470)	14	21.88 (556)	15 (381)	2.5 (64)	1.06 (27)	5.974 (152)	1.5 (38)
N1C202408LP	check	14/14	24x20x8.75 (610x508x222)	N1P2024	check	21x18.5 (533x470)	14	21.88 (556)	15 (381)	2.5 (64)	1.06 (27)	7.974 (203)	1.5 (38)
N1C202410LP	check	14/14	24x20x10.75 (610x508x273)	N1P2024	check	21x18.5 (533x470)	14	21.88 (556)	15 (381)	2.5 (64)	1.06 (27)	9.974 (253)	1.5 (38)
N1C203006LP	check	14/14	30x20x6.63 (762x508x168)	N1P2030	check	26x18.5 (660x470)	14	27.5 (699)	12.75 (324)	3.63 (92)	1.25 (32)	5.827 (148)	2 (51)
N1C242008LP	check	14/14	20x24x8.75 (508x610x222)	N1P2420	check	17x22.5 (432x572)	14	17.88 (454)	19 (483)	2.5 (64)	1.06 (27)	7.974 (203)	1.5 (38)
N1C242406LP	check	14/14	24x24x6.75 (610x610x171)	N1P2424	check	21x22.5 (533x572)	14	21.88 (556)	19 (483)	2.5 (64)	1.06 (27)	5.974 (152)	1.5 (38)
N1C242408LP	check	14/14	24x24x8.75 (610x610x222)	N1P2424	check	21x22.5 (533x572)	14	21.88 (556)	19 (483)	2.5 (64)	1.06 (27)	7.952 (202)	1.5 (38)

Note: Subpanels must be ordered separately. Dimensions in inches (millimeters); letters in table correspond to letters on dimensional drawings.

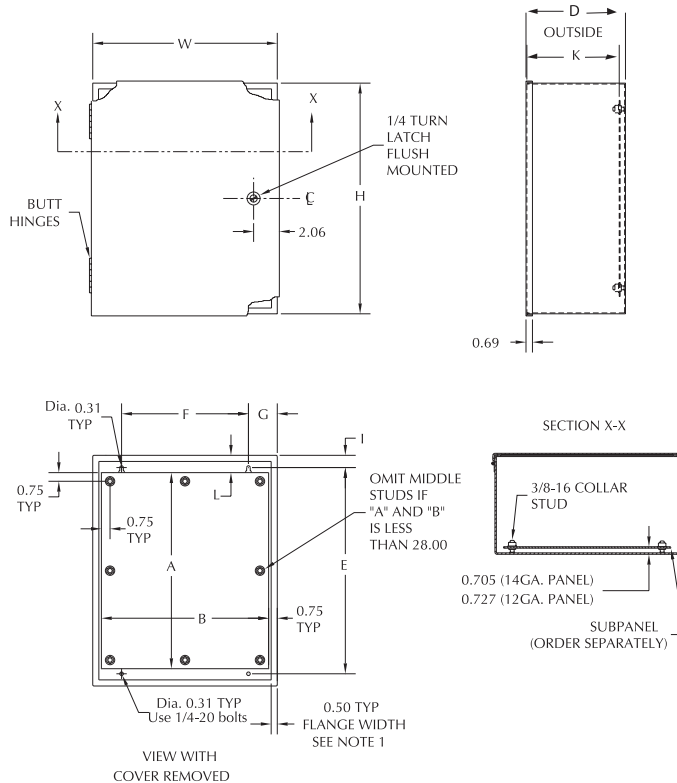
NEMA 1 MEDIUM HINGED WALL MOUNT

Enclosure Shipping Schedule		
Same day	1 - 7 days	1 -10 days
Color indicates shipping lead time in business days.		

Part Number	Price	Body/Door	Enclosure Size HxWxD	Subpanel P/N	Price	Subpanel Size AxB	Subpanel Steel Gauge	E	F	G	I	K	L
N1C242412LP	check	14/14	24x24x12.75 (610x610x324)	N1P2424	check	21x22.5 (533x572)	12	21.88 (556)	19 (483)	2.5 (64)	1.06 (27)	11.952 (304)	1.5 (38)
N1C243006LP	check	14/14	30x24x6.63 (762x610x168)	N1P2430	check	26x22.5 (660x572)	12	27.5 (699)	16.75 (425)	3.63 (92)	1.25 (32)	5.827 (148)	2 (51)
N1C243008LP	check	14/14	30x24x8.63 (762x610x219)	N1P2430	check	26x22.5 (660x572)	12	27.5 (699)	16.75 (425)	3.63 (92)	1.25 (32)	7.827 (199)	2 (51)
N1C243010LP	check	14/14	30x24x10.63 (762x610x270)	N1P2430	check	26x22.5 (660x572)	12	27.5 (699)	16.75 (425)	3.63 (92)	1.25 (32)	9.827 (250)	2 (51)
N1C243012LP	check	14/14	30x24x12.63 (762x610x321)	N1P2430	check	26x22.5 (660x572)	12	27.5 (699)	16.75 (425)	3.63 (92)	1.25 (32)	11.827 (300)	2 (51)
N1C243606LP	check	14/14	36x24x6.63 (914x610x168)	N1P2436	check	32x22.5 (813x572)	12	33.5 (851)	16.75 (425)	3.63 (92)	1.25 (32)	5.827 (148)	2 (51)
N1C243608LP	check	14/14	36x24x8.63 (914x610x219)	N1P2436	check	32x22.5 (813x572)	12	33.5 (851)	16.75 (425)	3.63 (92)	1.25 (32)	7.827 (199)	2 (51)
N1C303008LP	check	14/14	30x30x8.63 (762x762x219)	N1P3030	check	26x28.5 (660x724)	12	33.5 (851)	22.75 (578)	3.63 (92)	1.25 (32)	7.827 (199)	2 (51)
N1C303606LP	check	14/14	36x30x6.63 (914x762x168)	N1P3036	check	32x28.5 (813x724)	12	33.5 (851)	22.75 (578)	3.63 (92)	1.25 (32)	5.827 (148)	2 (51)
N1C303608LP	check	14/14	36x30x8.63 (914x762x219)	N1P3036	check	32x28.5 (813x724)	12	33.5 (851)	22.75 (578)	3.63 (92)	1.25 (32)	7.827 (199)	2 (51)
N1C303612LP	check	14/14	36x30x12.63 (914x762x321)	N1P3036	check	32x28.5 (813x724)	12	33.5 (851)	22.75 (578)	3.63 (92)	1.25 (32)	11.827 (300)	2 (51)

Note: Subpanels must be ordered separately. Dimensions in inches (millimeters); letters in table correspond to letters on dimensional drawings.

Dimensions



NEMA 1 LARGE HINGED WALL MOUNT



Applications

Designed for use in control and instrumentation applications in areas which do not require oil-tight and dust-tight specifications.

Construction

- Bodies and doors fabricated from 14 gauge steel
- Continuous hinged doors
- Doors are easily removable by pulling the hinge pin
- Door and body stiffeners provided for extra rigidity in larger enclosures
- Collar studs provided for mounting optional subpanels
- External mounting feet provided
- Doors are furnished standard with flush mount quarter-turn latch
- Grounding provisions provided

Finish

- ANSI-61 gray polyester powder inside and out over phosphatized surfaces
- Optional subpanels are white polyester powder over phosphatized surfaces

Listings

- UL 50, Type 1
- UL Files E6924
- CSA Certified, Type 1
- CSA File LL66078
- NEMA/EEMAC Type 1

Enclosure Shipping Schedule		
Same day	1 - 7 days	1 -10 days

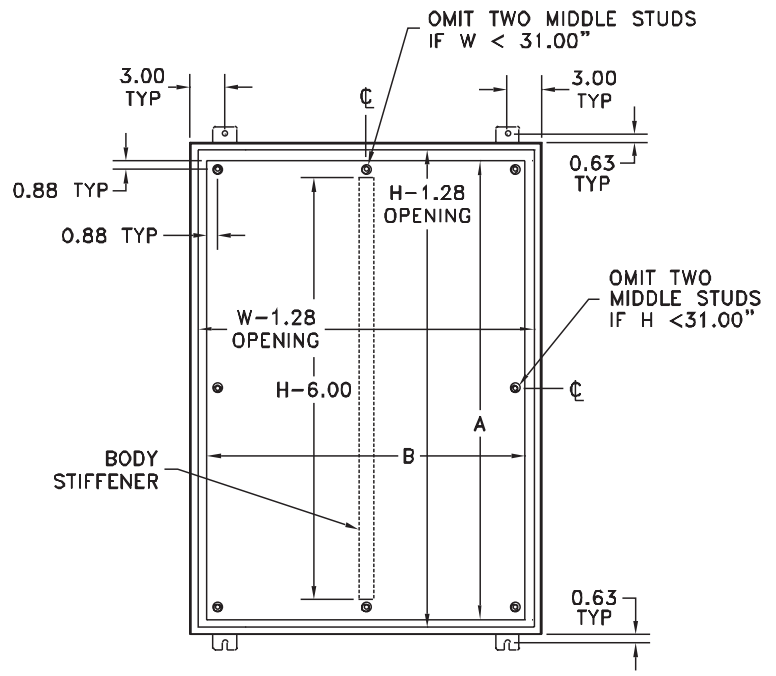
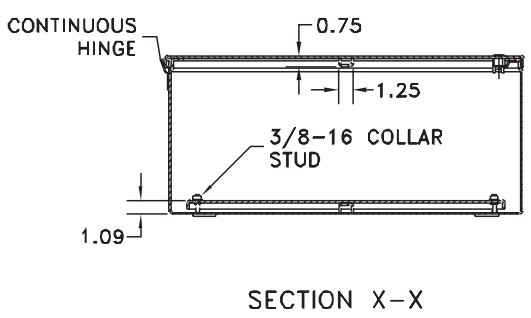
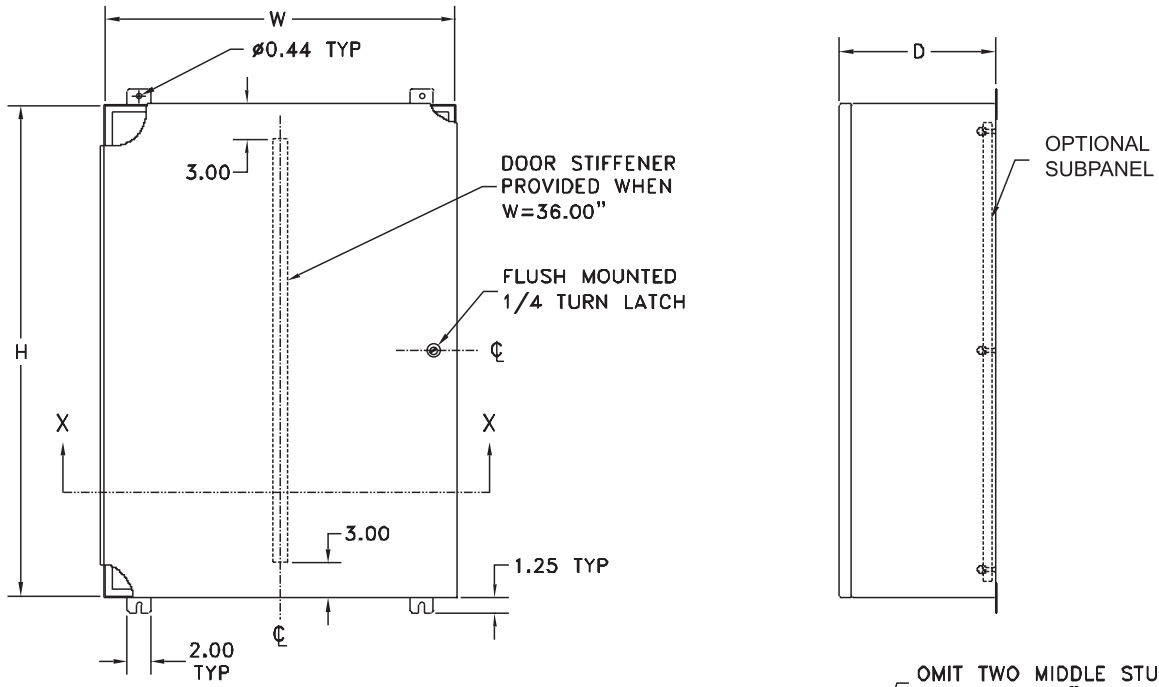
Color indicates shipping lead time in business days.

Part Number	Price	Body/Door	Enclosure Size HxWxD	Subpanel P/N	Price	Subpanel Size AxB	Subpanel Steel Gauge
N1C304209	check	14/14	42x30x8.94 (1067x762x227)	NP4230	check	39x27 (991x686)	12
N1C304213	check	14/14	42x30x12.94 (1067x762x329)	NP4230	check	39x27 (991x686)	12
N1C364209	check	14/14	42x36x8.94 (1067x914x227)	NP4236	check	39x33 (991x838)	12
N1C364809	check	14/14	48x36x8.94 (1219x914x227)	NP4836	check	45x33 (1143x838)	12
N1C364811	check	14/14	48x36x10.94 (1219x914x278)	NP4836	check	45x33 (1143x838)	12
N1C364817	check	14/14	48x36x17.25 (1219x914x438)	NP4836	check	45x33 (1143x838)	12

Note: Subpanels must be ordered separately. Dimensions in inches (millimeters); letters in table correspond to letters on dimensional drawings.

NEMA 1 LARGE HINGED WALL-MOUNT

Dimensions



SC SERIES NEMA 1 SCREW COVER WALL MOUNT



Painted



SC080806



SC080806NK

Applications

This style is designed for use as a junction box and pull box in commercial and general industrial applications.

Construction

- Bodies and doors fabricated from 16, 14, and 12 gauge steel or G-90 pre-galvanized steel (see table below)
- Flat, removable covers fastened with plated steel screws
- Cover design permits easy removal without extracting cover screws
- Mounting holes on back of box
- Available with or without knockouts
- Removable concentric knockouts on all four sides of standard enclosures with knockouts

Finish

- Painted SC series enclosures: ANSI-61 gray polyester powder inside and out over phosphatized surfaces

Listings

- UL 50, Type 1 (UL File E6924)
- CSA Certified, Type 1 (see note) CSA file LL66078
- Meets NEMA/EEMAC Type 1 requirements

NEMA 1 Screw Cover Wall-Mount								
Painted				Body/Door Steel Gauge	Flush Cover	Enclosure Size HxWxD	Knockout Pattern	
With Knockouts	Price	Without Knockouts	Price				Width Side	Height Side
SC040404*	check	SC040404NK*	check	16/16	Yes	4x4x4 (102x102x102)	A	A
SC040604*	check	SC040604NK*	check	16/16	Yes	6x4x4 (152x102x102)	A	A-B-A
SC060604	check	SC060604NK	check	16/16	Yes	6x6x4 (152x152x102)	A-B-A	A-B-A
SC060606	check	SC060606NK	check	16/16	Yes	6x6x6 (152x152x152)	A-B-A	A-B-A
SC060804	check	SC060804NK	check	16/16	Yes	8x6x4 (203x152x102)	A-B-A	A-B-A
SC060806	check	SC060806NK	check	16/16	Yes	8x6x6 (203x152x152)	A-B-A	A-B-A
SC061204	check	SC061204NK	check	16/16	Yes	12x6x4 (305x152x102)	A-B-A	B-A-F-F-A-B
SC061206	check	SC061206NK	check	16/16	Yes	12x6x6 (305x152x152)	A-B-A	B-A-F-F-A-B
SC080804	check	SC080804NK	check	16/16	Yes	8x8x4 (203x203x102)	A-B-A	A-B-A
SC080806	check	SC080806NK	check	16/16	Yes	8x8x6 (203x203x152)	A-B-A	A-B-A
SC080808	check	SC080808NK	check	16/16	Yes	8x8x8 (203x203x203)	A-B-A	A-B-A
SC081004	check	SC081004NK	check	16/16	Yes	10x8x4 (254x203x102)	A-B-A	B-A-F-F-A
SC081006	check	SC081006NK	check	16/16	Yes	10x8x6 (254x203x152)	A-B-A	B-A-F-F-A

Note: Dimensions in inches (millimeters); letters in table correspond to letters on dimensional drawings.

Note: A WGNDKT must be ordered with each SC enclosure to meet the CSA standard. No partial CSA orders accepted
 * Not UL Listed

Enclosure Shipping Schedule		
Same day	1 - 7 days	1 -10 days
Color indicates shipping lead time in business days.		

SC SERIES NEMA 1 SCREW COVER WALL MOUNT

NEMA 1 Screw Cover Wall-Mount (cont.)								
Painted				Body/Door Steel Gauge	Flush Cover	Enclosure Size HxWxD	Knockout Pattern	
With Knockouts	Price	Without Knockouts	Price				Width Side	Height Side
SC081204	check	SC081204NK	check	16/16	Yes	12x8x4 (305x203x102)	A-B-A	B-A-F-F-A-B
SC081206	check	SC081206NK	check	16/16	Yes	12x8x6 (305x203x152)	A-B-A	B-A-F-F-A-B
SC101004	check	SC101004NK	check	16/16	Yes	10x10x4 (254x254x102)	B-A-F-F-A	B-A-F-F-A
SC101006	check	SC101006NK	check	16/16	Yes	10x10x6 (254x254x152)	B-A-F-F-A	B-A-F-F-A
SC101204	check	SC101204NK	check	16/16	Yes	12x10x4 (305x254x102)	B-A-F-F-A	B-A-F-F-A-B
SC101206	check	SC101206NK	check	16/16	Yes	12x10x6 (305x254x152)	B-A-F-F-A	B-A-F-F-A-B
SC121204	check	SC121204NK	check	16/16	Yes	12x12x4 (305x305x102)	B-A-F-F-A-B	B-A-F-F-A-B
SC121206	check	SC121206NK	check	16/16	Yes	12x12x6 (305x305x152)	B-A-F-F-A-B	B-A-F-F-A-B
SC121208	check	SC121208NK	check	16/16	Yes	12x12x8 (305x305x203)	B-A-F-F-A-B	B-A-F-F-A-B
SC121210	check	SC121210NK	check	16/16	Yes	12x12x10 (305x305x254)	B-A-F-F-A-B	B-A-F-F-A-B
SC121212	check	SC121212NK	check	16/16	Yes	12x12x12 (305x305x305)	B-A-F-F-A-B	B-A-F-F-A-B
SC121504	check	SC121504NK	check	16/16	Yes	15x12x4 (381x305x102)	B-A-F-F-A-B	A-B-A-F-F-A-B-A
SC121506	check	SC121506NK	check	16/16	Yes	15x12x6 (381x305x152)	B-A-F-F-A-B	A-B-A-F-F-A-B-A
SC121608	check	SC121608NK	check	16/16	No	16x12x8 (406x305x203)	B-A-F-F-A-B	A-B-A-F-F-A-B-A
SC121804	check	SC121804NK	check	16/16	Yes	18x12x4 (457x305x102)	B-A-F-F-A-B	A-B-A-F-F-A-B-A
SC121806	check	SC121806NK	check	16/16	Yes	18x12x6 (457x305x152)	B-A-F-F-A-B	A-B-A-F-F-A-B-A
SC121808	check	SC121808NK	check	16/16	Yes	18x12x8 (457x305x203)	B-A-F-F-A-B	A-B-A-F-F-A-B-A
SC121810	check	SC121810NK	check	16/16	Yes	18x12x10 (457x305x254)	B-A-F-F-A-B	A-B-A-F-F-A-B-A
SC122404	check	SC122404NK	check	16/16	Yes	24x12x4 (610x305x102)	B-A-F-F-A-B	A-B-A-F-F-A-B-A
SC122406	check	SC122406NK	check	16/16	Yes	24x12x6 (610x305x152)	B-A-F-F-A-B	A-B-A-F-F-A-B-A
SC122408	check	SC122408NK	check	16/16	Yes	24x12x8 (610x305x203)	B-A-F-F-A-B	A-B-A-F-F-A-B-A
SC122410	check	SC122410NK	check	16/16	Yes	24x12x10 (610x305x254)	B-A-F-F-A-B	A-B-A-F-F-A-B-A

Note: Dimensions in inches (millimeters); letters in table correspond to letters on dimensional drawings.

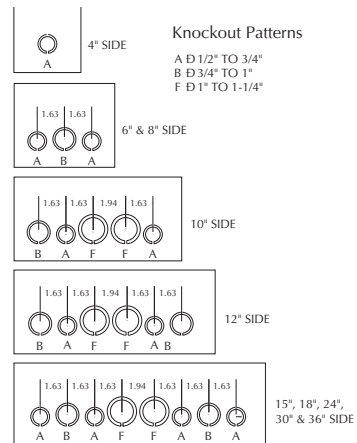
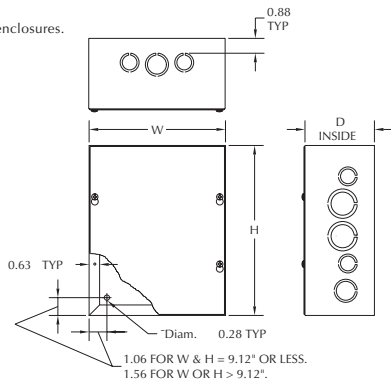
Enclosure Shipping Schedule		
Same day	1 - 7 days	1 - 10 days

Color indicates shipping lead time in business days.

Note: A WGNDKT must be ordered with each SC enclosure to meet the CSA standard. No partial CSA orders accepted.

ENCLOSURES

8", 10" and 12" deep enclosures.



SC SERIES NEMA 1 SCREW COVER WALL MOUNT

NEMA 1 Screw Cover Wall-Mount (cont.)								
Painted				Body/Door Steel Gauge	Flush Cover	Enclosure Size HxWxD	Knockout Pattern	
With Knockouts	Price	Without Knockouts	Price				Width Side	Height Side
SC122412	check	SC122412NK	check	16/16	Yes	24x12x12 (610x305x305)	B-A-F-F-A-B	A-B-A-F-F-A-B-A
SC151504	check	SC151504NK	check	16/16	Yes	15x15x4 (381x381x102)	A-B-A-F-F-A-B-A	A-B-A-F-F-A-B-A
SC151506	check	SC151506NK	check	16/16	Yes	15x15x6 (381x381x152)	A-B-A-F-F-A-B-A	A-B-A-F-F-A-B-A
SC151804	check	SC151804NK	check	16/16	Yes	18x15x4 (457x381x102)	A-B-A-F-F-A-B-A	A-B-A-F-F-A-B-A
SC151806	check	SC151806NK	check	16/16	Yes	18x15x6 (457x381x152)	A-B-A-F-F-A-B-A	A-B-A-F-F-A-B-A
SC181804	check	SC181804NK	check	16/16	Yes	18x18x4 (457x457x102)	A-B-A-F-F-A-B-A	A-B-A-F-F-A-B-A
SC181806	check	SC181806NK	check	16/16	Yes	18x18x6 (457x457x152)	A-B-A-F-F-A-B-A	A-B-A-F-F-A-B-A
SC181808	check	SC181808NK	check	16/16	Yes	18x18x8 (457x457x203)	A-B-A-F-F-A-B-A	A-B-A-F-F-A-B-A
SC181810	check	SC181810NK	check	16/16	Yes	18x18x10 (457x457x254)	A-B-A-F-F-A-B-A	A-B-A-F-F-A-B-A
SC181812	check	SC181812NK	check	16/16	Yes	18x18x12 (457x457x305)	A-B-A-F-F-A-B-A	A-B-A-F-F-A-B-A
SC182404	check	SC182404NK	check	16/16	Yes	24x18x4 (610x457x102)	A-B-A-F-F-A-B-A	A-B-A-F-F-A-B-A
SC182406	check	SC182406NK	check	16/16	Yes	24x18x6 (610x457x152)	A-B-A-F-F-A-B-A	A-B-A-F-F-A-B-A
SC182408	check	SC182408NK	check	16/16	Yes	24x18x8 (610x457x203)	A-B-A-F-F-A-B-A	A-B-A-F-F-A-B-A
SC182410	check	SC182410NK	check	16/16	Yes	24x18x10 (610x457x254)	A-B-A-F-F-A-B-A	A-B-A-F-F-A-B-A
SC182412	check	SC182412NK	check	16/16	Yes	24x18x12 (610x457x305)	A-B-A-F-F-A-B-A	A-B-A-F-F-A-B-A
SC183004	check	SC183004NK	check	16/16	Yes	30x18x4 (762x457x102)	A-B-A-F-F-A-B-A	A-B-A-F-F-A-B-A
SC242404	check	SC242404NK	check	14/14	Yes	24x24x4 (610x610x102)	A-B-A-F-F-A-B-A	A-B-A-F-F-A-B-A
SC242406	check	SC242406NK	check	14/14	Yes	24x24x6 (610x610x152)	A-B-A-F-F-A-B-A	A-B-A-F-F-A-B-A
SC242408	check	SC242408NK	check	14/14	Yes	24x24x8 (610x610x203)	A-B-A-F-F-A-B-A	A-B-A-F-F-A-B-A
SC242410	check	SC242410NK	check	14/14	Yes	24x24x10 (610x610x254)	A-B-A-F-F-A-B-A	A-B-A-F-F-A-B-A
SC242412	check	SC242412NK	check	14/14	Yes	24x24x12 (610x610x305)	A-B-A-F-F-A-B-A	A-B-A-F-F-A-B-A
SC243006	check	SC243006NK	check	14/14	No	30x24x6 (762x610x152)	A-B-A-F-F-A-B-A	A-B-A-F-F-A-B-A
SC243008	check	SC243008NK	check	14/14	No	30x24x8 (762x610x203)	A-B-A-F-F-A-B-A	A-B-A-F-F-A-B-A
SC243010	check	SC243010NK	check	14/14	No	30x24x10 (762x610x254)	A-B-A-F-F-A-B-A	A-B-A-F-F-A-B-A
SC243012	check	SC243012NK	check	14/14	No	30x24x12 (762x610x305)	A-B-A-F-F-A-B-A	A-B-A-F-F-A-B-A
SC243608	check	SC243608NK	check	14/14	No	36x24x8 (914x610x203)	A-B-A-F-F-A-B-A	A-B-A-F-F-A-B-A
SC243610	check	SC243610NK	check	14/14	No	36x24x10 (914x610x254)	A-B-A-F-F-A-B-A	A-B-A-F-F-A-B-A
SC243612	check	SC243612NK	check	14/14	No	36x24x12 (914x610x305)	A-B-A-F-F-A-B-A	A-B-A-F-F-A-B-A
Not Available	N/A	SC303008NK	check	12/12	No	30x30x8 (762x762x203)	A-B-A-F-F-A-B-A	A-B-A-F-F-A-B-A
Not Available	N/A	SC303010NK	check	12/12	No	30x30x10 (762x762x254)	A-B-A-F-F-A-B-A	A-B-A-F-F-A-B-A
Not Available	N/A	SC303012NK	check	12/12	No	30x30x12 (762x762x305)	A-B-A-F-F-A-B-A	A-B-A-F-F-A-B-A

Note: Dimensions in inches (millimeters); letters in table correspond to letters on dimensional drawings.

Note: A WGNDKT must be ordered with each SC enclosure to meet the CSA standard. No partial CSA orders accepted.

Enclosure Shipping Schedule		
Same day	1 - 7 days	1 - 10 days
Color indicates shipping lead time in business days.		

SC SERIES NEMA 1 SCREW COVER WALL MOUNT

NEMA 1 Screw Cover Wall-Mount (cont.)								
Painted				Body/Door Steel Gauge	Flush Cover	Enclosure Size HxWxD	Knockout Pattern	
With Knockouts	Price	Without Knockouts	Price				Width Side	Height Side
Not Available	N/A	SC303608NK	check	12/12	No	36x30x8 (914x762x203)	A-B-A-F-F-A-B-A	A-B-A-F-F-A-B-A
Not Available	N/A	SC303610NK	check	12/12	No	36x30x10 (914x762x254)	A-B-A-F-F-A-B-A	A-B-A-F-F-A-B-A
Not Available	N/A	SC303612NK	check	12/12	No	36x30x12 (914x762x305)	A-B-A-F-F-A-B-A	A-B-A-F-F-A-B-A
Not Available	N/A	SC363608NK	check	12/12	No	36x36x8 (914x914x203)	A-B-A-F-F-A-B-A	A-B-A-F-F-A-B-A
Not Available	N/A	SC363610NK	check	12/12	No	36x36x10 (914x914x254)	A-B-A-F-F-A-B-A	A-B-A-F-F-A-B-A
Not Available	N/A+	SC363612NK	check	12/12	No	36x36x12 (914x914x305)	A-B-A-F-F-A-B-A	A-B-A-F-F-A-B-A

Note: Dimensions in inches (millimeters); letters in table correspond to letters on dimensional drawings.

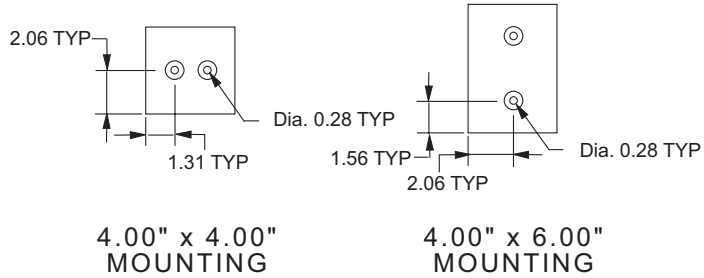
Grounding Kit		
Part Number	Description	Price
WGNDKT	Grounding Kit	check

Field grounding kit includes necessary parts to properly ground enclosure

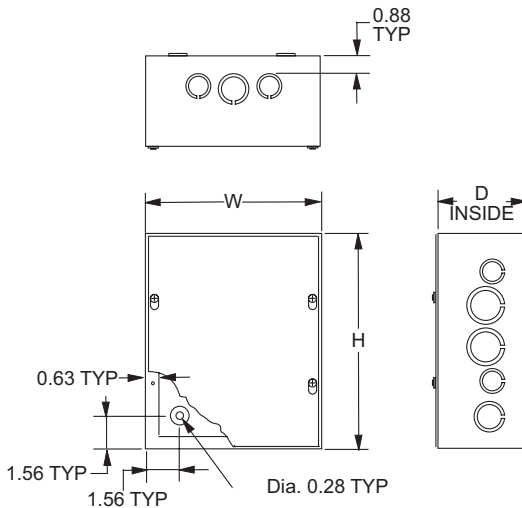
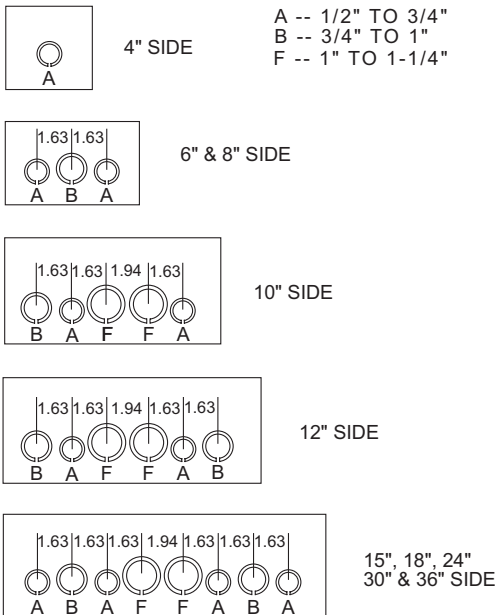
Enclosure Shipping Schedule		
Same day	1 - 7 days	1 -10 days

Color indicates shipping lead time in business days.

Note: A WGNDKT must be ordered with each SC enclosure to meet the CSA standard. No partial CSA orders accepted.



Knockout Patterns



SC SERIES NEMA 1 SCREW COVER WALL MOUNT



Galvanized



Applications

These enclosures are designed for use as junction boxes and pull boxes in commercial and general industrial applications.

Construction

- Bodies and doors fabricated from 16, 14, and 12 gauge steel or G-90 pre-galvanized steel (see table below)
- Flat, removable covers fastened with plated steel screws
- Cover design permits easy removal without extracting cover screws
- Mounting holes on back of box
- Available with or without knockouts
- Removable concentric knockouts on all four sides of standard enclosures with knockouts

Finish

- Galvanized SC series enclosures: Unpainted pre-galvanized steel

Listings

- UL 50, Type 1 (UL File E6924)
- CSA Certified, Type 1. (See Note) CSA file LL66078
- Meets NEMA/EEMAC Type 1 requirements

NEMA 1 Screw Cover Wall-Mount								
Galvanized				Body/Door Steel Gauge	Flush Cover	Enclosure Size HxWxD	Knockout Pattern	
With Knockouts	Price	Without Knockouts	Price				Width Side	Height Side
SC040404G*	check	SC040404GNK*	check	16/16	Yes	4x4x4 (102x102x102)	A	A
SC040604G*	check	SC040604GNK*	check	16/16	Yes	6x4x4 (152x102x102)	A	A-B-A
SC060604G	check	SC060604GNK	check	16/16	Yes	6x6x4 (152x152x102)	A-B-A	A-B-A
SC060606G	check	SC060606GNK	check	16/16	Yes	6x6x6 (152x152x152)	A-B-A	A-B-A
SC060804G	check	SC060804GNK	check	16/16	Yes	8x6x4 (203x152x102)	A-B-A	A-B-A
SC060806G	check	SC060806GNK	check	16/16	Yes	8x6x6 (203x152x152)	A-B-A	A-B-A
SC061204G	check	SC061204GNK	check	16/16	Yes	12x6x4 (305x152x102)	A-B-A	B-A-F-F-A-B
SC061206G	check	SC061206GNK	check	16/16	Yes	12x6x6 (305x152x152)	A-B-A	B-A-F-F-A-B
SC080804G	check	SC080804GNK	check	16/16	Yes	8x8x4 (203x203x102)	A-B-A	A-B-A
SC080806G	check	SC080806GNK	check	16/16	Yes	8x8x6 (203x203x152)	A-B-A	A-B-A
SC080808G	check	SC080808GNK	check	16/16	Yes	8x8x8 (203x203x203)	A-B-A	A-B-A
SC081004G	check	SC081004GNK	check	16/16	Yes	10x8x4 (254x203x102)	A-B-A	B-A-F-F-A
SC081006G	check	SC081006GNK	check	16/16	Yes	10x8x6 (254x203x152)	A-B-A	B-A-F-F-A

Note: Dimensions in inches (millimeters); letters in table correspond to letters on dimensional drawings.

Note: A WGNDKT must be ordered with each SC enclosure to meet the CSA standard. No partial CSA orders accepted.

Enclosure Shipping Schedule		
Same day	1 - 7 days	1 -10 days
Color indicates shipping lead time in business days.		

SC SERIES NEMA 1 SCREW COVER WALL MOUNT

NEMA 1 Screw Cover Wall-Mount (cont.)								
Galvanized				Body/Door Steel Gauge	Flush Cover	Enclosure Size HxWxD	Knockout Pattern	
W/Knockouts	Price	W/Knockouts	Price				Width Side	Height Side
SC081204G	check	SC081204GNK	check	16/16	Yes	12x8x4 (305x203x102)	A-B-A	B-A-F-F-A-B
SC081206G	check	SC081206GNK	check	16/16	Yes	12x8x6 (305x203x152)	A-B-A	B-A-F-F-A-B
SC101004G	check	SC101004GNK	check	16/16	Yes	10x10x4 (254x254x102)	B-A-F-F-A	B-A-F-F-A
SC101006G	check	SC101006GNK	check	16/16	Yes	10x10x6 (254x254x152)	B-A-F-F-A	B-A-F-F-A
SC101204G	check	SC101204GNK	check	16/16	Yes	12x10x4 (305x254x102)	B-A-F-F-A	B-A-F-F-A-B
SC101206G	check	SC101206GNK	check	16/16	Yes	12x10x6 (305x254x152)	B-A-F-F-A	B-A-F-F-A-B
SC121204G	check	SC121204GNK	check	16/16	Yes	12x12x4 (305x305x102)	B-A-F-F-A-B	B-A-F-F-A-B
SC121206G	check	SC121206GNK	check	16/16	Yes	12x12x6 (305x305x152)	B-A-F-F-A-B	B-A-F-F-A-B
SC121208G	check	SC121208GNK	check	16/16	Yes	12x12x8 (305x305x203)	B-A-F-F-A-B	B-A-F-F-A-B
SC121210G	check	SC121210GNK	check	16/16	Yes	12x12x10 (305x305x254)	B-A-F-F-A-B	B-A-F-F-A-B
SC121212G	check	SC121212GNK	check	16/16	Yes	12x12x12 (305x305x305)	B-A-F-F-A-B	B-A-F-F-A-B
SC121504G	check	SC121504GNK	check	16/16	Yes	15x12x4 (381x305x102)	B-A-F-F-A-B	A-B-A-F-F-A-B-A
SC121506G	check	SC121506GNK	check	16/16	Yes	15x12x6 (381x305x152)	B-A-F-F-A-B	A-B-A-F-F-A-B-A
SC121608G	check	SC121608GNK	check	16/16	No	16x12x8 (406x305x203)	B-A-F-F-A-B	A-B-A-F-F-A-B-A
SC121804G	check	SC121804GNK	check	16/16	Yes	18x12x4 (457x305x102)	B-A-F-F-A-B	A-B-A-F-F-A-B-A
SC121806G	check	SC121806GNK	check	16/16	Yes	18x12x6 (457x305x152)	B-A-F-F-A-B	A-B-A-F-F-A-B-A
SC121808G	check	SC121808GNK	check	16/16	Yes	18x12x8 (457x305x203)	B-A-F-F-A-B	A-B-A-F-F-A-B-A
SC121810G	check	SC121810GNK	check	16/16	Yes	18x12x10 (457x305x254)	B-A-F-F-A-B	A-B-A-F-F-A-B-A
SC122404G	check	SC122404GNK	check	16/16	Yes	24x12x4 (610x305x102)	B-A-F-F-A-B	A-B-A-F-F-A-B-A
SC122406G	check	SC122406GNK	check	16/16	Yes	24x12x6 (610x305x152)	B-A-F-F-A-B	A-B-A-F-F-A-B-A
SC122408G	check	SC122408GNK	check	16/16	Yes	24x12x8 (610x305x203)	B-A-F-F-A-B	A-B-A-F-F-A-B-A
SC122410G	check	SC122410GNK	check	16/16	Yes	24x12x10 (610x305x254)	B-A-F-F-A-B	A-B-A-F-F-A-B-A

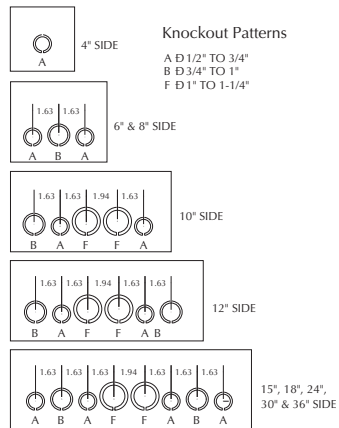
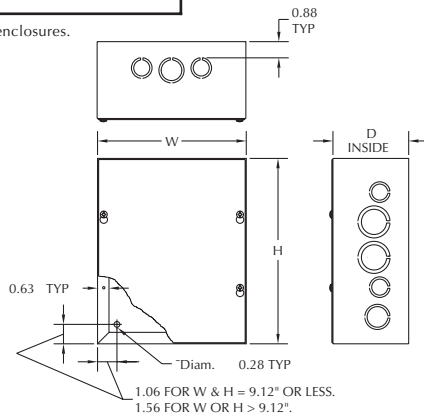
Note: Dimensions in inches (millimeters); letters in table correspond to letters on dimensional drawings.

Enclosure Shipping Schedule		
Same day	1 - 7 days	1 - 10 days

Color indicates shipping lead time in business days.

Note: A WGNDKT must be ordered with each SC enclosure to meet the CSA standard. No partial CSA orders accepted.

8", 10" and 12" deep enclosures.



ENCLOSURES

SC SERIES NEMA 1 SCREW COVER WALL MOUNT

NEMA 1 Screw Cover Wall-Mount (cont.)								
Galvanized				Body/Door Steel Gauge	Flush Cover	Enclosure Size HxWxD	Knockout Pattern	
With Knockouts	Price	Without Knockouts	Price				Width Side	Height Side
SC122412G	check	SC122412GNK	check	16/16	Yes	24x12x12 (610x305x305)	B-A-F-F-A-B	A-B-A-F-F-A-B-A
SC151504G	check	SC151504GNK	check	16/16	Yes	15x15x4 (381x381x102)	A-B-A-F-F-A-B-A	A-B-A-F-F-A-B-A
SC151506G	check	SC151506GNK	check	16/16	Yes	15x15x6 (381x381x152)	A-B-A-F-F-A-B-A	A-B-A-F-F-A-B-A
SC151804G	check	SC151804GNK	check	16/16	Yes	18x15x4 (57x381x102)	A-B-A-F-F-A-B-A	A-B-A-F-F-A-B-A
SC151806G	check	SC151806GNK	check	16/16	Yes	18x15x6 (457x381x152)	A-B-A-F-F-A-B-A	A-B-A-F-F-A-B-A
SC181804G	check	SC181804GNK	check	16/16	Yes	18x18x4 (457x457x102)	A-B-A-F-F-A-B-A	A-B-A-F-F-A-B-A
SC181806G	check	SC181806GNK	check	16/16	Yes	18x18x6 (457x457x152)	A-B-A-F-F-A-B-A	A-B-A-F-F-A-B-A
SC181808G	check	SC181808GNK	check	16/16	Yes	18x18x8 (457x457x203)	A-B-A-F-F-A-B-A	A-B-A-F-F-A-B-A
SC181810G	check	SC181810GNK	check	16/16	Yes	18x18x10 (457x457x254)	A-B-A-F-F-A-B-A	A-B-A-F-F-A-B-A
SC181812G	check	SC181812GNK	check	16/16	Yes	18x18x12 (457x457x305)	A-B-A-F-F-A-B-A	A-B-A-F-F-A-B-A
SC182404G	check	SC182404GNK	check	16/16	Yes	24x18x4 (610x457x102)	A-B-A-F-F-A-B-A	A-B-A-F-F-A-B-A
SC182406G	check	SC182406GNK	check	16/16	Yes	24x18x6 (610x457x152)	A-B-A-F-F-A-B-A	A-B-A-F-F-A-B-A
SC182408G	check	SC182408GNK	check	16/16	Yes	24x18x8 (610x457x203)	A-B-A-F-F-A-B-A	A-B-A-F-F-A-B-A
SC182410G	check	SC182410GNK	check	16/16	Yes	24x18x10 (610x457x254)	A-B-A-F-F-A-B-A	A-B-A-F-F-A-B-A
SC182412G	check	SC182412GNK	check	16/16	Yes	24x18x12 (610x457x305)	A-B-A-F-F-A-B-A	A-B-A-F-F-A-B-A
SC183004G	check	SC183004GNK	check	16/16	Yes	30x18x4 (762x457x102)	A-B-A-F-F-A-B-A	A-B-A-F-F-A-B-A
SC242404G	check	SC242404GNK	check	14/14	Yes	24x24x4 (610x610x102)	A-B-A-F-F-A-B-A	A-B-A-F-F-A-B-A
SC242406G	check	SC242406GNK	check	14/14	Yes	24x24x6 (610x610x152)	A-B-A-F-F-A-B-A	A-B-A-F-F-A-B-A
SC242408G	check	SC242408GNK	check	14/14	Yes	24x24x8 (610x610x203)	A-B-A-F-F-A-B-A	A-B-A-F-F-A-B-A
SC242410G	check	SC242410GNK	check	14/14	Yes	24x24x10 (610x610x254)	A-B-A-F-F-A-B-A	A-B-A-F-F-A-B-A
SC242412G	check	SC242412GNK	check	14/14	Yes	24x24x12 (610x610x305)	A-B-A-F-F-A-B-A	A-B-A-F-F-A-B-A
SC243006G	check	SC243006GNK	check	14/14	No	30x24x6 (762x610x152)	A-B-A-F-F-A-B-A	A-B-A-F-F-A-B-A
SC243008G	check	SC243008GNK	check	14/14	No	30x24x8 (762x610x203)	A-B-A-F-F-A-B-A	A-B-A-F-F-A-B-A
SC243010G	check	SC243010GNK	check	14/14	No	30x24x10 (762x610x254)	A-B-A-F-F-A-B-A	A-B-A-F-F-A-B-A
SC243012G	check	SC243012GNK	check	14/14	No	30x24x12 (762x610x305)	A-B-A-F-F-A-B-A	A-B-A-F-F-A-B-A
SC243608G	check	SC243608GNK	check	14/14	No	36x24x8 (914x610x203)	A-B-A-F-F-A-B-A	A-B-A-F-F-A-B-A
SC243610G	check	SC243610GNK	check	14/14	No	36x24x10 (914x610x254)	A-B-A-F-F-A-B-A	A-B-A-F-F-A-B-A
SC243612G	check	SC243612GNK	check	14/14	No	36x24x12 (914x610x305)	A-B-A-F-F-A-B-A	A-B-A-F-F-A-B-A
Not Available	N/A	SC303008GNK	check	12/12	No	30x30x8 (762x762x203)	A-B-A-F-F-A-B-A	A-B-A-F-F-A-B-A
Not Available	N/A	SC303010GNK	check	12/12	No	30x30x10 (762x762x254)	A-B-A-F-F-A-B-A	A-B-A-F-F-A-B-A
Not Available	N/A	SC303012GNK	check	12/12	No	30x30x12 (762x762x305)	A-B-A-F-F-A-B-A	A-B-A-F-F-A-B-A

Note: Dimensions in inches (millimeters); letters in table correspond to letters on dimensional drawings.

Note: A WGNDKT must be ordered with each SC enclosure to meet the CSA standard. No partial CSA orders accepted.

Enclosure Shipping Schedule		
Same day	1 - 7 days	1 - 10 days
Color indicates shipping lead time in business days.		

SC SERIES NEMA 1 SCREW COVER WALL MOUNT

NEMA 1 Screw Cover Wall-Mount (cont.)								
Galvanized				Body/Door Steel Gauge	Flush Cover	Enclosure Size HxWxD	Knockout Pattern	
With Knockouts	Price	Without Knockouts	Price				Width Side	Height Side
Not Available	N/A	SC303608GNK	check	12/12	No	36x30x8 (914x762x203)	A-B-A-F-F-A-B-A	A-B-A-F-F-A-B-A
Not Available	N/A	SC303610GNK	check	12/12	No	36x30x10 (914x762x254)	A-B-A-F-F-A-B-A	A-B-A-F-F-A-B-A
Not Available	N/A	SC303612GNK	check	12/12	No	36x30x12 (914x762x305)	A-B-A-F-F-A-B-A	A-B-A-F-F-A-B-A
Not Available	N/A	SC363608GNK	check	12/12	No	36x36x8 (914x914x203)	A-B-A-F-F-A-B-A	A-B-A-F-F-A-B-A
Not Available	N/A	SC363610GNK	check	12/12	No	36x36x10 (914x914x254)	A-B-A-F-F-A-B-A	A-B-A-F-F-A-B-A
Not Available	N/A	SC363612GNK	check	12/12	No	36x36x12 (914x914x305)	A-B-A-F-F-A-B-A	A-B-A-F-F-A-B-A

Note: Dimensions in inches (millimeters); letters in table correspond to letters on dimensional drawings.

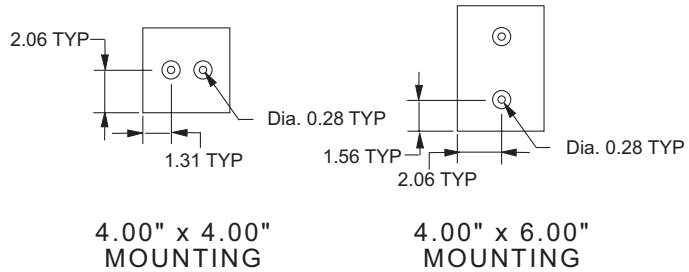
Grounding Kit		
Part Number	Description	Price
WGNDKT	Grounding Kit	check

Field grounding kit includes necessary parts to properly ground enclosure.

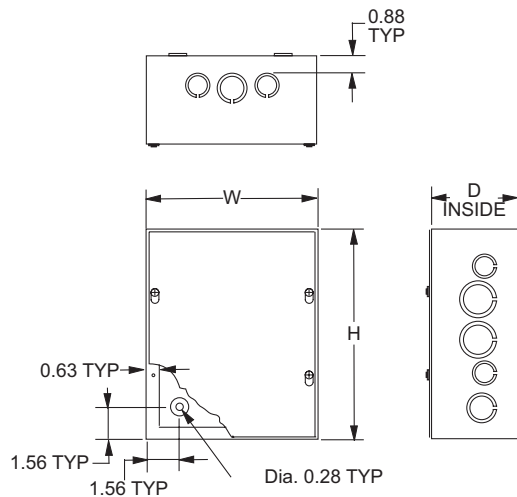
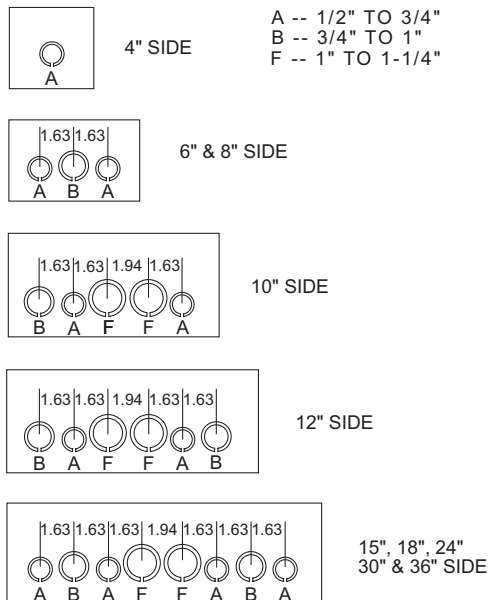
Enclosure Shipping Schedule		
Same day	1 - 7 days	1 - 10 days

Color indicates shipping lead time in business days.

Note: A WGNDKT must be ordered with each SC enclosure to meet the CSA standard. No partial CSA orders accepted.



Knockout Patterns



RSC SERIES NEMA 3R SCREW COVER WALL MOUNT



Applications

Designed for use as wiring boxes and junction boxes, these enclosures provide protection against rain, sleet and snow in outdoor applications, or against dripping water indoors.

Construction

- Bodies and doors fabricated from 16, 14, or 12 gauge carbon steel (see table)
- Drip shield top and smooth seamless sides and front
- Knockouts are standard on bottom of 4.00" and 6.00" deep enclosures
- A slip-on reversible cover is securely fastened with screws located along bottom edge
- No gasketing is required
- Hasp for padlocking or meter seal is provided

Finish

- ANSI-61 gray polyester powder inside and out over phosphatized surfaces over carbon steel

Listings

- UL 50, Types 1 and 3R
- UL file E6924
- CSA Certified, Type 1 and 3R
- CSA file LL66078
- NEMA/EEMAC Type 1 and 3R

Notes: For removal of cover, move downward, then outward.
4x4x4 only has 2 mounting holes centered horizontally.
4x6x4 only has 2 mounting holes centered vertically.

Note: A WGNDKT must be ordered with each RSC enclosure to meet the CSA standard. No partial CSA orders accepted.

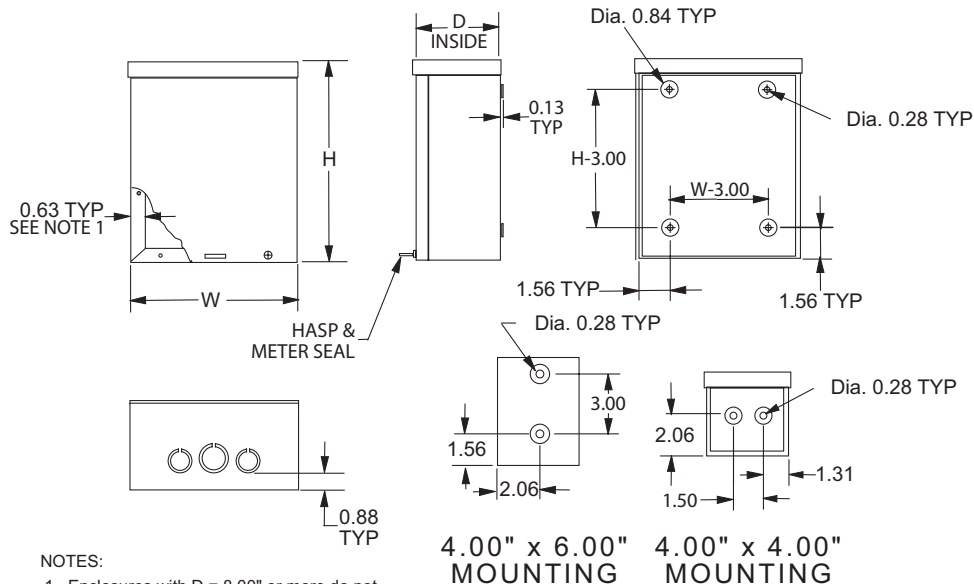
*Not UL Listed. No hasp or meter seal.

Part Number	Price	Body/Door Steel Gauge	Enclosure Size HxWxD	Knockout Patterns
RSC040404*	check	16/16	4x4x4 (102x102x102)	A
RSC040604*	check	16/16	6x4x4 (152x102x102)	A
RSC060604	check	16/16	6x6x4 (152x152x102)	A-B-A
RSC060606	check	16/16	6x6x6 (152x152x152)	A-B-A
RSC060804	check	16/16	8x6x4 (203x152x102)	A-B-A
RSC060806	check	16/16	8x6x6 (203x152x152)	A-B-A
RSC080804	check	16/16	8x8x4 (203x203x102)	A-B-A
RSC080806	check	16/16	8x8x6 (203x203x152)	A-B-A
RSC081004	check	16/16	10x8x4 (254x203x102)	A-B-A
RSC081006	check	16/16	10x8x6 (254x203x152)	A-B-A
RSC081206	check	16/16	12x8x6 (305x203x152)	A-B-A
RSC101004	check	16/16	10x10x4 (254x254x102)	B-A-F-F-A
RSC101006	check	16/16	10x10x6 (254x254x152)	B-A-F-F-A
RSC101204	check	16/16	12x10x4 (305x254x102)	B-A-F-F-A
RSC101206	check	16/16	12x10x6 (305x254x152)	B-A-F-F-A
RSC121204	check	16/16	12x12x4 (305x305x102)	B-A-F-F-A-B
RSC121206	check	16/16	12x12x6 (305x305x152)	B-A-F-F-A-B
RSC121208	check	16/16	12x12x8 (305x305x203)	No Knockouts
RSC121210	check	16/16	12x12x10 (305x305x254)	No Knockouts
RSC121504	check	16/16	15x12x4 (381x305x102)	B-A-F-F-A-B
RSC121506	check	16/16	15x12x6 (381x305x152)	B-A-F-F-A-B
RSC121806	check	16/16	18x12x6(457x305x152)	B-A-F-F-A-B
RSC121808	check	16/16	18x12x8 (457x305x203)	No Knockouts
RSC151806	check	16/16	18x15x6 (457x381x152)	A-B-A-F-F-A-B-A
RSC151808	check	16/16	18x15x8 (457x381x203)	No Knockouts
RSC161610	check	16/16	16x16x10 (406x406x254)	No Knockouts
RSC181804	check	16/16	18x18x4 (457x457x102)	A-B-A-F-F-A-B-A
RSC181806	check	16/16	18x18x6 (457x457x152)	A-B-A-F-F-A-B-A
RSC181808	check	16/16	18x18x8 (457x457x203)	No Knockouts
RSC182406	check	16/16	24x18x6 (610x457x152)	A-B-A-F-F-A-B-A
RSC182408	check	14/14	24x18x8 (610x457x203)	No Knockouts
RSC202408	check	14/14	24x20x8 (610x508x203)	No Knockouts
RSC242406	check	14/14	24x24x6 (610x610x152)	A-B-A-F-F-A-B-A
RSC242408	check	14/14	24x24x8 (610x610x203)	No Knockouts
RSC242412	check	14/14	24x24x12 (610x610x305)	No Knockouts
RSC242416	check	14/14	24x24x16 (610x610x406)	No Knockouts
RSC243008	check	14/14	30x24x8 (762x610x203)	No Knockouts
RSC243612	check	12/12	36x24x12 (914x610x305)	No Knockouts
RSC303012	check	12/12	30x30x12 (762x762x305)	No Knockouts
RSC303016	check	12/12	30x30x16 (762x762x406)	No Knockouts
RSC303612	check	12/12	36x30x12 (914x762x305)	No Knockouts
RSC363612	check	12/12	36x36x12 (914x914x305)	No Knockouts
RSC363616	check	12/12	36x36x16 (914x914x406)	No Knockouts
RSC364816	check	12/12	48x36x16 (1219x914x406)	No Knockouts

Note: Dimensions in inches (millimeters); letters in table correspond to letters on dimensional drawings.

Enclosure Shipping Schedule		
Same day	1 - 7 days	1 - 10 days
Color indicates shipping lead time in business days.		

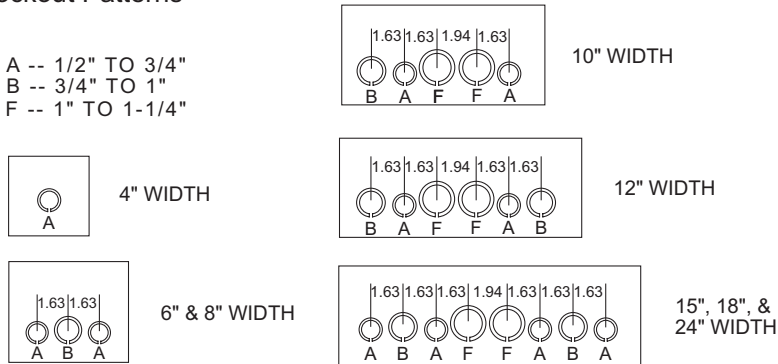
RSC SERIES NEMA 3R SCREW COVER WALL MOUNT



NOTES:
 1. Enclosures with D = 8.00" or more do not have an internal flange.

Knockout Patterns

A -- 1/2" TO 3/4"
 B -- 3/4" TO 1"
 F -- 1" TO 1-1/4"



Note: A WGNDKT must be ordered with each RSC enclosure to meet the CSA standard. No partial CSA orders accepted

Grounding Kit		
Part Number	Description	Price
WGNDKT	Grounding Kit	check
Field grounding kit includes necessary parts to properly ground enclosure		



SMALL RHC SERIES NEMA 3R HINGE-COVER

WALL MOUNT



Applications

Designed for use as wiring boxes and junction boxes, this model provides protection against rain, sleet and snow in outdoor installations, or against dripping water indoors.

Construction

- Bodies and doors fabricated from 16 gauge carbon steel
- Continuous hinge
- Lid is supplied with a padlockable draw latch
- Hinge is made of carbon steel with a stainless steel hinge pin
- Standard size enclosures are provide with knockouts in bottom
- Weldnuts provided for mounting optional back panels
- External mounting plates, top and bottom of enclosure
- Grounding provisions provided

Finish

- ANSI-61 gray polyester powder inside and out over phosphatized surfaces
- Optional back panels are white polyester powder over phosphatized surfaces

Listings

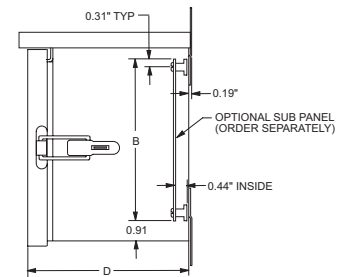
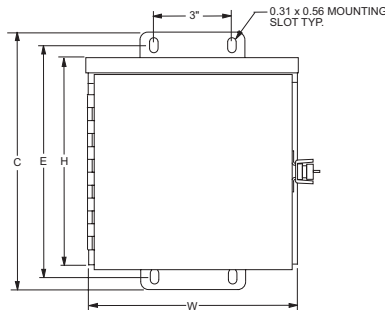
- UL 50, Types 1 & 3R
- UL File E6924
- CSA Certified, Type 1 & 3R CSA File LL66078
- NEMA/EEMAC Type 1 & 3R

*Subpanels must be ordered separately.

Enclosure Shipping Schedule		
Same day	1 - 7 days	1 -10 days
Color indicates shipping lead time in business days.		

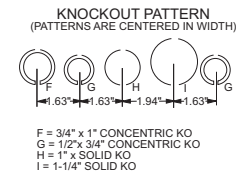
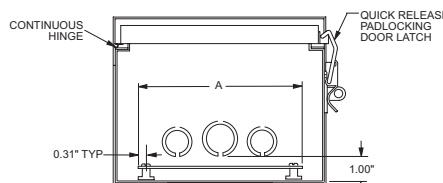
Part Number	Price	Body/Door Price Steel Gauge	Enclosure Size HxWxD	Knockout Pattern	Subpanel Part Number	Price	Subpanel Size A&B	C	E
RHC060604	check	16/16	6.06x6.00x4.13 (154x152x105)	G-F-G	N1P0606	check	4.25x4.25 (108x108)	8 (203)	7 (178)
RHC060804	check	16/16	8.06x6.00x4.13 (205x152x105)	G-F-G	N1P0608	check	6.25x4.25 (159x108)	10 (254)	9 (229)
RHC080804	check	16/16	8.06x8.00x4.13 (205x203x105)	G-F-G	N1P0808	check	6.25x6.25 (159x159)	10 (254)	9 (229)
RHC080806	check	16/16	8.06x8.00x6.13 (205x203x156)	G-F-G	N1P0808	check	6.25x6.25 (159x159)	10 (254)	9 (229)
RHC081006	check	16/16	10.06x8.00x6.13 (256x203x156)	G-F-G	N1P0810	check	8.25x6.25 (210x159)	12 (305)	11 (279)
RHC101206	check	16/16	12.06x10.00x6.13 (306x254x156)	G-F-G	N1P1012	check	10.25x8.25 (260x210)	14 (356)	13 (330)
RHC121206	check	16/16	12.06x12.00x6.13 (306x305x156)	F-G-H-I-G	N1P1212	check	10.25x10.25 (260x260)	14 (356)	13 (330)

Note: Dimensions in inches (millimeters); letters in table correspond to letters on dimensional drawings.



Grounding Kit		
Part Number	Description	Price
WGNDKT	Grounding Kit	check

Field grounding kit includes necessary parts to properly ground enclosure



WGNDKT GROUNDING KIT

Grounding kit

This field grounding kit includes all necessary parts for properly grounding your enclosure.



Note: A WGNDKT must be ordered with each RSC enclosure to meet the CSA standard. No partial CSA orders accepted

Grounding Kit		
Part Number	Description	Price
WGNDKT	Grounding Kit	check
Field grounding kit includes necessary parts to properly ground enclosure.		



RSCG SERIES NEMA 3R WIRING TROUGH



Applications

These enclosures are designed to protect wiring against rain, sleet and snow in outdoor installations, or indoors against dripping water.

Construction

- Trough and cover fabricated from 16 gauge carbon steel
- Drip shield top and smooth seamless sides, front and back, prevent rain, snow and sleet from entering the enclosure
- Embossed mounting holes are conveniently located on the back
- A slip-on removable cover is securely fastened with screws located along the bottom edge
- Knockouts are provided on bottom of enclosure

Finish

- ANSI-61 gray polyester powder inside and out over phosphatized surfaces

Listings

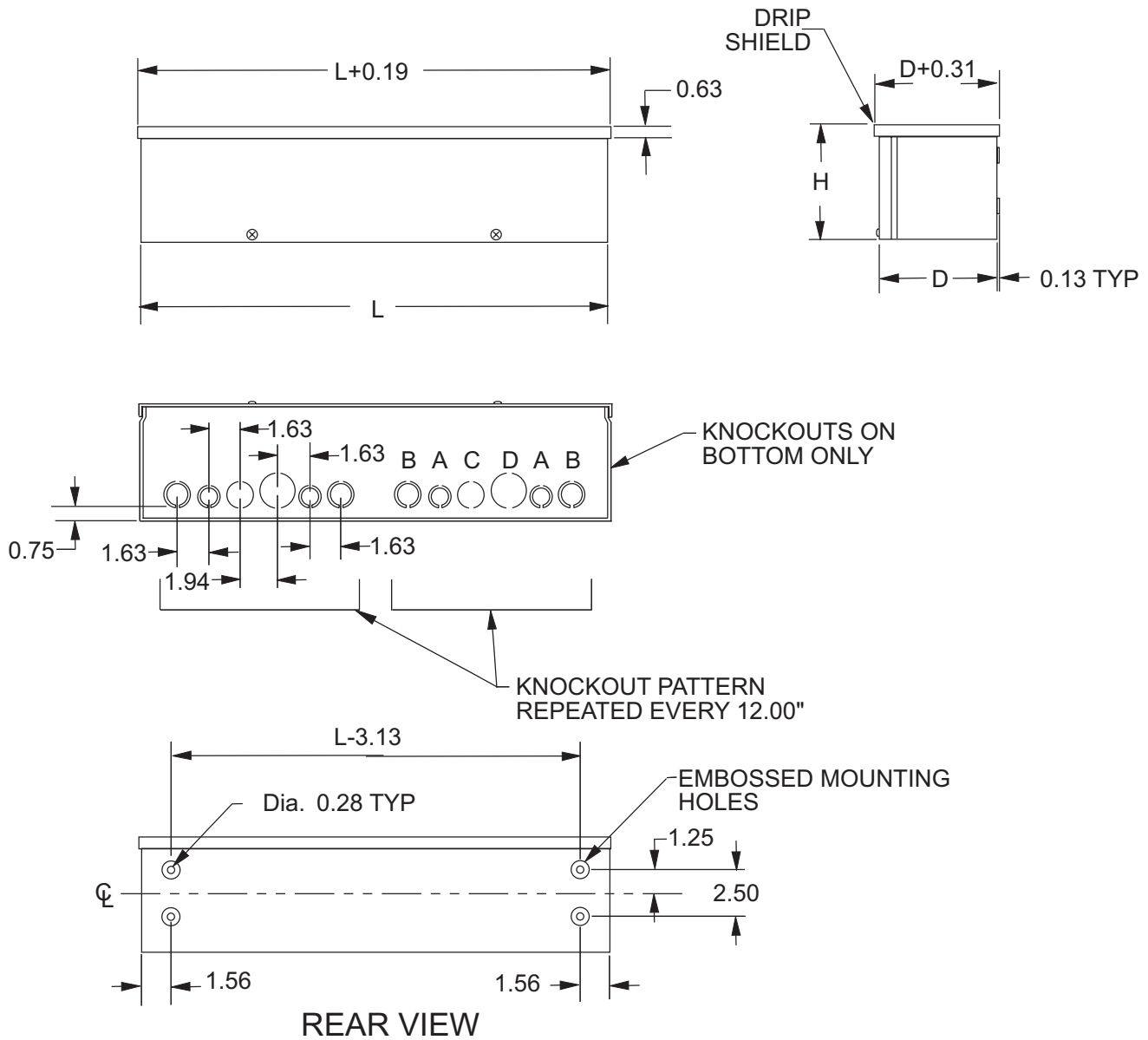
- UL 870
- UL File E32576
- CSA File LL66078
- Meets NEMA/EEMAC Types, 1 & 3R requirements

Part Number	Price	Body/Door Steel Gauge	Enclosure Size HxDxL	Knockout Pattern
RSCG040412	check	16/16	4.06x4.06x12.13 (103x103x308)	B-A-C-D-A-B repeated
RSCG040424	check	16/16	4.06x4.06x24.13 (103x103x613)	B-A-C-D-A-B repeated
RSCG040436	check	16/16	4.06x4.06x36.13 (103x103x918)	B-A-C-D-A-B repeated
RSCG040448	check	16/16	4.06x4.06x48.13 (103x103x1222)	B-A-C-D-A-B repeated
RSCG040460	check	16/16	4.06x4.06x60.13 (103x103x1527)	B-A-C-D-A-B repeated
RSCG060612	check	16/16	6.06x6.06x12.13 (154x154x308)	B-A-C-D-A-B repeated
RSCG060624	check	16/16	6.06x6.06x24.13 (154x154x613)	B-A-C-D-A-B repeated
RSCG060636	check	16/16	6.06x6.06x36.13 (154x154x918)	B-A-C-D-A-B repeated
RSCG060648	check	16/16	6.06x6.06x48.13 (154x154x1222)	B-A-C-D-A-B repeated
RSCG060660	check	16/16	6.06x6.06x60.13 (154x154x1527)	B-A-C-D-A-B repeated
RSCG060672	check	16/16	6.06x6.06x72.13 (154x154x1832)	B-A-C-D-A-B repeated
RSCG080824	check	16/16	8.06x8.06x24.13 (205x205x613)	B-A-C-D-A-B repeated
RSCG080836	check	16/16	8.06x8.06x36.13 (205x205x918)	B-A-C-D-A-B repeated
RSCG080848	check	16/16	8.06x8.06x48.13 (205x205x1222)	B-A-C-D-A-B repeated
RSCG080860	check	16/16	8.06x8.06x60.13 (205x205x1527)	B-A-C-D-A-B repeated
RSCG080872	check	16/16	8.06x8.06x72.13 (205x205x1832)	B-A-C-D-A-B repeated

Note: Dimensions in inches (millimeters); letters in table correspond to letters on dimensional drawings.

Enclosure Shipping Schedule		
Same day	1 - 7 days	1 -10 days
Color indicates shipping lead time in business days.		

RSCG SERIES NEMA 3R WIRING TROUGH



KNOCKOUT SIZES

- F = 3/4" x 1" CONCENTRIC KO
- G = 1/2" x 3/4" CONCENTRIC KO
- H = 1" x SOLID KO
- I = 1-1/4" SOLID KO



NEMA 12 JIC LIFT-OFF COVER WALL MOUNT



Applications

The Hubbell/Wiegmann B Series JIC box is a standard of the automotive industry, but also has a wide number of uses in other industries. The box incorporates a chain secured lift-off cover and is designed to safeguard components against exposure to dust, dirt, oil and water.

Construction

- Bodies and doors fabricated from 14 gauge steel
- Continuously welded seams ground smooth, less knockouts or holes
- Lids are sealed with closed cell oil resistant neoprene gasket
- External mounting feet, top and bottom of enclosure
- Weldnuts provided for mounting optional subpanels securely on models 6"x4" and larger

- External screw clamps are quick and easy to operate
- Lift off cover design. Chain holds cover to box when cover is removed
- Grounding provisions provided

Finish

- ANSI-61 gray polyester powder inside and out over phosphatized surfaces
- Optional subpanels are white polyester powder over phosphatized surfaces

Listings

- UL 50, Types 12 and 13 (6x6x4 and above).
- UL 508, Types 12 and 13 (6x4x4 and smaller)
- UL Files E23553, E64791
- CSA Certified, Type 12
- CSA File LL66078
- NEMA/EEMAC Types 12 and 13
- JIC EL-1-71

Enclosure Shipping Schedule

Same day	1 - 7 days	1 -10 days
----------	------------	------------

Color indicates shipping lead time in business days.

Part Number	Price	Body/Door	Enclosure Size HxWxD	Subpanel P/N	Price	Subpanel Size AxB	Mtg CxÉ	Overall LxM	F	I	J	K	N	O	P	Q
B040403	check	14/14	4x4x3 (102x102x76)	NA	NA	NA	4.75x2 (121x51)	5.50x4.31 (140x109)	2.53 (64)	3 (76)	NA	1.38 (35)	1.50 (38)	2.59 (66)	0.56 (14)	4.31 (110)
B040404	check	14/14	4x4x4 (102x102x102)	NA	NA	NA	4.75x2 (121x51)	5.50x4.31 (140x109)	3.53 (90)	3 (76)	NA	1.38 (35)	1.50 (38)	3.59 (91)	0.56 (14)	4.31 (110)
B060403	check	14/14	6x4x3 (152x102x76)	P0604	check	4.88x2.88 (124x73)	6.75x2 (171x51)	7.50x4.31 (191x109)	2.53 (64)	3 (76)	0.56 (14)	1.38 (35)	1.50 (38)	2.59 (66)	0.56 (14)	6.31 (160)
B060404	check	14/14	6x4x4 (152x102x102)	P0604	check	4.88x2.88 (124x73)	6.75x2 (171x51)	7.50x4.31 (191x109)	3.53 (90)	3 (76)	0.56 (14)	1.38 (35)	1.50 (38)	3.59 (91)	0.56 (14)	6.31 (160)
B060604	check	14/14	6x6x4 (152x152x102)	P0606	check	4.88x4.88 (124x124)	6.75x2 (171x51)	7.50x6.31 (191x160)	3.53 (90)	5 (127)	0.56 (14)	2.38 (60)	1 (25)	3.59 (91)	0.56 (14)	6.31 (160)
B080603	check	14/14	8x6x3.50 (203x152x89)	P0806	check	6.88x4.88 (175x124)	8.75x4 (222x102)	9.50x6.31 (241x160)	3.03 (77)	5 (127)	0.56 (14)	2.38 (60)	1 (25)	3.09 (79)	0.56 (14)	8.31 (211)
B080606	check	14/14	8x6x6 (203x152x152)	P0806	check	6.88x4.88 (175x124)	8.75x4 (222x102)	9.50x6.31 (241x160)	5.53 (141)	5 (127)	0.56 (14)	2.38 (60)	1 (25)	5.59 (142)	0.56 (14)	8.31 (211)
B080804	check	14/14	8x8x4 (203x203x102)	P0808	check	6.88x6.88 (175x175)	8.75x6 (222x152)	9.50x8.31 (241x211)	3.53 (90)	7 (178)	0.56 (14)	1 (25)	1 (25)	3.59 (91)	0.56 (14)	8.31 (211)
B100804	check	14/14	10x8x4 (254x203x102)	P1008	check	8.88x6.88 (226x175)	10.75x6 (273x152)	11.50x8.31 (292x211)	3.53 (90)	7 (178)	0.56 (14)	1 (25)	1 (25)	3.59 (91)	0.56 (14)	10.31 (262)
B100806	check	14/14	10x8x6 (254x203x152)	P1008	check	8.88x6.88 (226x175)	10.75x6 (273x152)	11.50x8.31 (292x211)	5.53 (141)	7 (178)	0.56 (14)	1 (25)	1 (25)	5.59 (142)	0.56 (14)	10.31 (262)

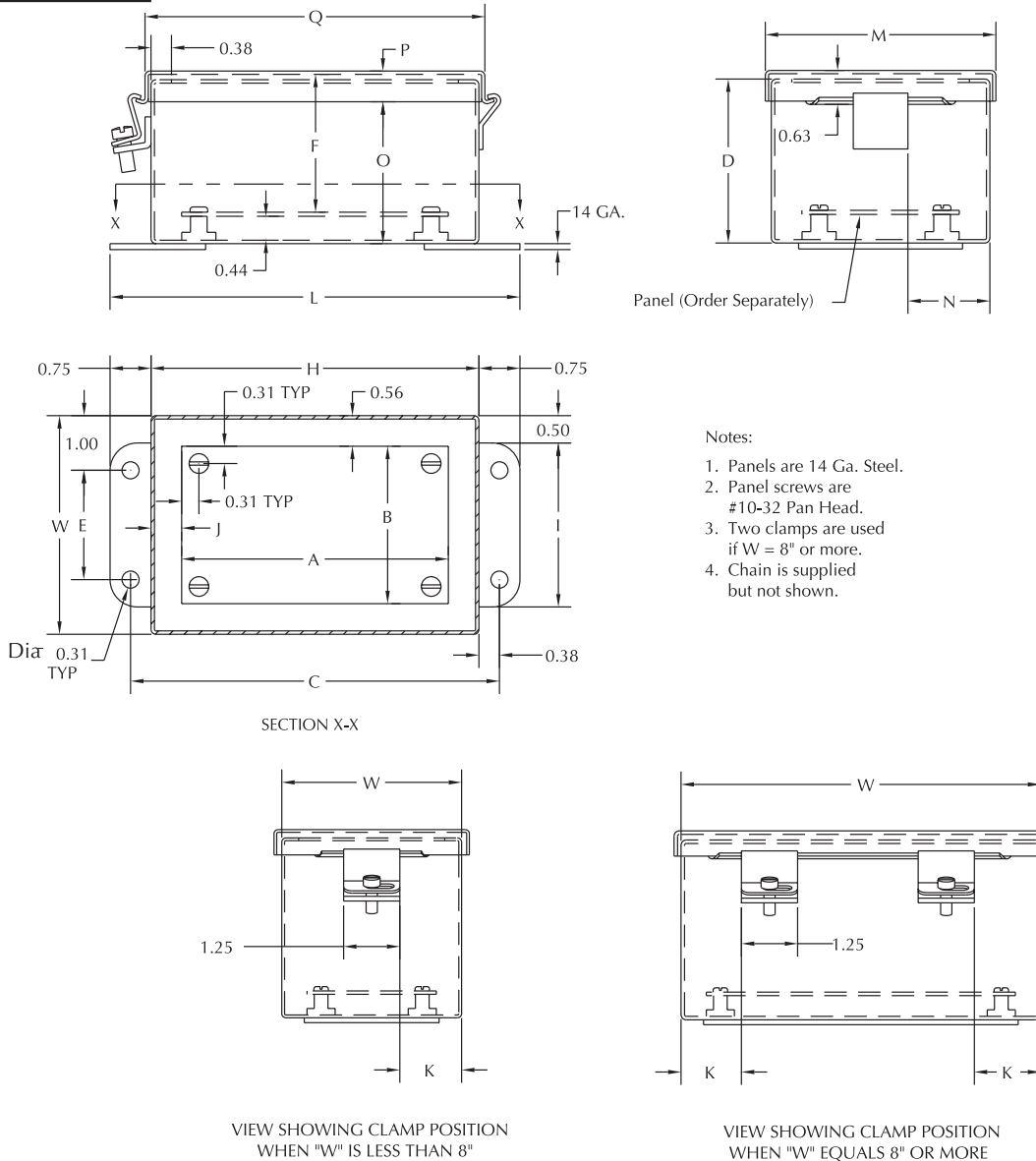
Note: Subpanels must be ordered separately. Dimensions in inches (millimeters); letters in table correspond to letters on dimensional drawings.

NEMA 12 JIC LIFT-OFF COVER WALL MOUNT

Part Number	Price	Body/Door	Enclosure Size HxWxD	Subpanel P/N	Price	Subpanel Size AxB	Mtg Cx E	Overall LxM	F	I	J	K	N	O	P	Q
B121005	check	14/14	12x10x5 (305x254x127)	P1210	check	10.88x8.88 (276x226)	12.75x8 (324x203)	13.50x10.31 (343x262)	4.53 (115)	9 (229)	0.56 (14)	1 (25)	1 (25)	4.59 (117)	0.56 (14)	12.31 (313)
B121206	check	14/14	12x12x6 (305x305x152)	P1212	check	10.88x10.88 (276x276)	12.75x10 (324x254)	13.50x12.31 (343x313)	5.53 (141)	11 (279)	0.56 (14)	1 (25)	1 (25)	5.59 (142)	0.56 (14)	12.31 (313)
B141206	check	14/14	14x12x6 (356x305x152)	P1412	check	12.88x10.88 (327x276)	14.75x10 (375x254)	15.50x12.31 (394x313)	5.53 (141)	11 (279)	0.56 (14)	1 (25)	1 (25)	5.59 (142)	0.56 (14)	14.31 (364)
B161406	check	14/14	16x14x6 (406x356x152)	P1614	check	14.88x12.88 (378x327)	16.75x12 (425x305)	17.50x14.31 (445x363)	5.53 (141)	13 (330)	0.56 (14)	1 (25)	1 (25)	5.59 (142)	0.56 (14)	16.31 (414)

Note: Subpanels must be ordered separately. Dimensions in inches (millimeters); letters in table correspond to letters on dimensional drawings.

Dimensions



- Notes:
1. Panels are 14 Ga. Steel.
 2. Panel screws are #10-32 Pan Head.
 3. Two clamps are used if W = 8" or more.
 4. Chain is supplied but not shown.

ENCLOSURES

NEMA 12 JIC SCREW COVER WALL MOUNT



Applications

Designed for use as instrument housings, electrical control enclosures, terminal wiring boxes or electrical junction boxes. Provides protection from dirt, dust, oil and water.

Construction

- Bodies and doors fabricated from 14 gauge steel
- Lids are sealed with closed cell oil resistant neoprene gasket
- Continuously welded seams ground smooth less knockouts of holes
- External mounting plates, top and bottom of enclosure
- Captivated cover screws thread into sealed wells to prevent leakage through cover
- Grounding provisions provided
- Weldnuts are provided on models 6" x 4" and larger to secure optional subpanel.

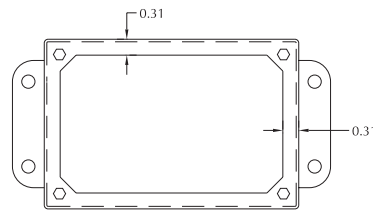
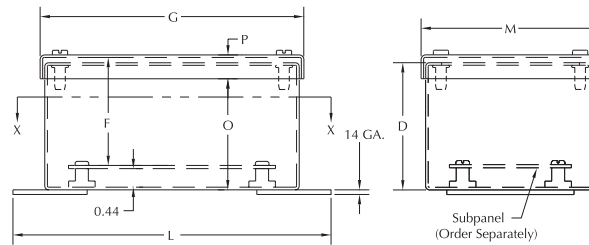
Finish

- ANSI-61 gray polyester powder inside and out over phosphatized surfaces
- Optional subpanels are white polyester powder over phosphatized surfaces

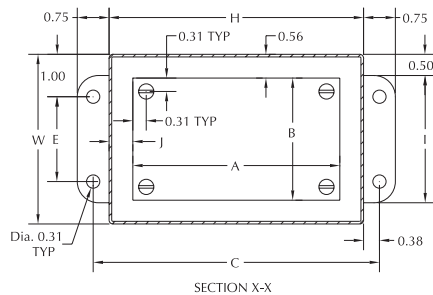
Listings

- UL 508, Types 12 & 13 (6" x 4" x 4" and smaller)
- UL 50, Types 12 & 13 (6" x 6" x 4" and above)
- UL File E23553, E64791
- CSA Certified, Type 12
- CSA File LL66078
- NEMA/EEMAC Types 12 & 13
- JIC EL-1-71

Dimensions



TOP VIEW
COVER REMOVED



SECTION X-X



NEMA 12 JIC SCREW COVER WALL MOUNT

Enclosure Shipping Schedule		
Same day	1 - 7 days	1 -10 days
Color indicates shipping lead time in business days.		

Part Number	Price	Body/Door	Enclosure Size HxWxD	Subpanel P/N	Price	Subpanel Size AxB	Mtg CxÉ	Overall LxM	F	G	I	J	O	P
B040403SC	check	14/14	4x4x3 (102x102x76)	NA	NA	NA	4.75x2 (121x51)	5.50x4.31 (140x110)	2.53 (64)	4.31 (110)	3 (76)	NA	2.59 (66)	0.56 (14)
B040404SC	check	14/14	4x4x4 (102x102x102)	NA	NA	NA	4.75x2 (121x51)	5.50x4.31 (140x110)	3.53 (90)	4.31 (110)	3 (76)	NA	3.59 (91)	0.56 (14)
B060403SC	check	14/14	6x4x3 (152x102x76)	P0604	check	4.88x2.88 (124x73)	6.75x2 (171x51)	7.50x4.31 (191x110)	2.53 (64)	4.31 (160)	3 (76)	0.56 (14)	2.59 (66)	0.56 (14)
B060404SC	check	14/14	6x4x4 (152x102x102)	P0604	check	4.88x2.88 (124x73)	6.75x2 (171x51)	7.50x4.31 (191x110)	3.53 (90)	6.31 (160)	3 (76)	0.56 (14)	3.59 (91)	0.56 (14)
B060604SC	check	14/14	6x6x4 (152x152x102)	P0606	check	4.88x4.88 (124x124)	6.75x2 (171x51)	7.50x6.31 (191x160)	3.53 (90)	6.31 (160)	5 (127)	0.56 (14)	3.59 (91)	0.56 (14)
B080603SC	check	14/14	8x6x3.50 (203x152x89)	P0806	check	6.88x4.88 (175x124)	8.75x4 (222x102)	9.50x6.31 (241x160)	3.03 (77)	8.31 (211)	5 (127)	0.56 (14)	3.09 (79)	0.56 (14)
B080606SC	check	14/14	8x6x6 (203x152x152)	P0806	check	6.88x4.88 (175x124)	8.75x4 (222x102)	9.50x6.31 (241x160)	5.53 (141)	8.31 (211)	5 (127)	0.56 (14)	5.59 (142)	0.56 (14)
B080804SC	check	14/14	8x8x4 (203x203x102)	P0808	check	6.88x6.88 (175x175)	8.75x6 (222x152)	9.50x8.31 (241x211)	3.53 (90)	8.31 (211)	7 (178)	0.56 (14)	3.59 (91)	0.56 (14)
B100804SC	check	14/14	10x8x4 (254x203x102)	P1008	check	8.88x6.88 (226x175)	10.75x6 (273x152)	11.50x8.31 (292x211)	3.53 (90)	10.31 (262)	7 (178)	0.56 (14)	3.59 (91)	0.56 (14)
B100806SC	check	14/14	10x8x6 (254x203x152)	P1008	check	8.88x6.88 (226x175)	10.75x6 (273x152)	11.50x8.31 (292x211)	5.53 (141)	10.31 (262)	7 (178)	0.56 (14)	5.59 (142)	0.56 (14)
B101004SC	check	14/14	10x10x4 (254x254x102)	P1010	check	8.88x8.88 (226x226)	10.75x8 (273x203)	11.50x10.31 (292x279)	3.53 (90)	10.31 (262)	9 (229)	0.56 (14)	5.59 (142)	0.56 (14)
B101006SC	check	14/14	10x10x6 (254x254x152)	P1010	check	8.88x8.88 (226x226)	10.75x8 (273x203)	11.50x10.31 (292x279)	5.53 (141)	10.31 (262)	9 (229)	0.56 (14)	5.59 (142)	0.56 (14)
B121005SC	check	14/14	12x10x5 (305x305x127)	P1210	check	10.88x8.88 (276x226)	12.75x8 (324x203)	13.5x10.31 (343x262)	4.53 (115)	12.31 (313)	9 (229)	0.56 (14)	4.59 (117)	0.56 (14)
B121206SC	check	14/14	12x12x6 (305x305x152)	P1212	check	10.88x10.88 (276x276)	12.75x10 (324x254)	13.5x12.31 (343x313)	5.53 (141)	12.31 (313)	11 (279)	0.56 (14)	5.59 (142)	0.56 (14)
B141206SC	check	14/14	14x12x6 (356x305x152)	P1412	check	12.88x10.88 (327x276)	14.75x10 (375x254)	15.5x12.31 (394x313)	5.53 (141)	14.31 (364)	11 (279)	0.56 (14)	5.59 (142)	0.56 (14)
B161406SC	check	14/14	16x14x6 (406x356x152)	P1614	check	14.88x12.88 (378x327)	16.75x12 (425x305)	17.5x14.31 (445x364)	5.53 (141)	16.31 (414)	13 (330)	0.56 (14)	5.59 (142)	0.56 (14)

Note: Subpanels must be ordered separately. Dimensions in inches (millimeters); letters in table correspond to letters on dimensional drawings.



NEMA 12 JIC HINGED SCREW COVER WALL MOUNT



Applications

Designed for use as instrument housings, electrical control enclosures, terminal wiring boxes or electrical junction boxes. Provides protection from dirt, dust, oil and water.

Construction

- Bodies and doors fabricated from 14 gauge steel
- Lids are sealed with closed cell oil resistant neoprene gasket
- Continuously welded seams ground smooth, less knockouts of holes
- Captivated door screws thread into sealed wells
- Grounding provisions provided
- Weldnuts are provided for mounting optional subpanel
- No mounting feet or mounting holes are provided

Finish

- ANSI-61 gray polyester powder inside and out over phosphatized surfaces
- Optional subpanels are white polyester powder over phosphatized surfaces

Listings

- UL 50, Types 12 & 13
- UL File E6924
- CSA Certified, Type 12
- CSA File LL66078
- NEMA/EEMAC Types 12 & 13
- JIC EL-1-71

Enclosure Shipping Schedule

Same day	1 - 7 days	1 -10 days
----------	------------	------------

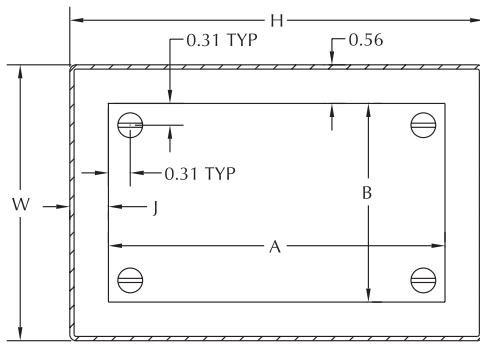
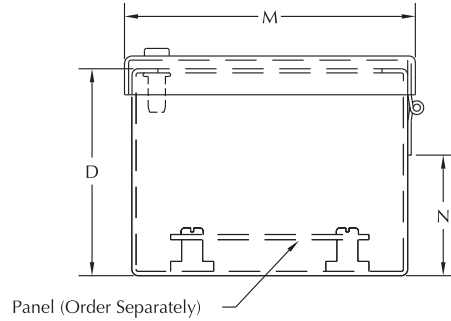
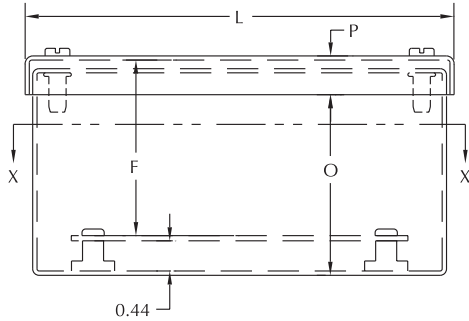
Color indicates shipping lead time in business days.

Part Number	Price	Body/Door	Enclosure Size HxWxD	Subpanel P/N	Price	Subpanel Size AxB	Overall LxM	F	J	N	O	P
WA060604GIE	check	14/14	6x6x4 (152x152x102)	N1P0606	check	4.25x4.25 (108x108)	6.31x6.31 (160x160)	3.53 (90)	0.56 (14)	2.78 (71)	3.59 (91)	0.56 (14)
WA080604GIE	check	14/14	8x6x4 (203x152x102)	N1P0608	check	6.25x4.25 (159x108)	8.31x6.31 (211x160)	3.53 (90)	0.56 (14)	2.78 (71)	3.59 (91)	0.56 (14)
WA080804GIE	check	14/14	8x8x4 (203x203x102)	N1P0808	check	6.25x6.25 (159x159)	8.31x8.31 (211x211)	3.53 (90)	0.56 (14)	2.78 (71)	3.59 (91)	0.56 (14)
WA080806GIE	check	14/14	8x8x6 (203x203x152)	N1P0808	check	6.25x6.25 (159x159)	8.31x8.31 (211x211)	5.53 (141)	0.56 (14)	4.78 (121)	5.59 (142)	0.56 (14)
WA100804GIE	check	14/14	10x8x4 (254x203x102)	N1P0810	check	8.25x6.25 (210x159)	10.31x8.31 (262x211)	3.53 (90)	0.56 (14)	2.78 (71)	3.59 (91)	0.56 (14)
WA100806GIE	check	14/14	10x8x6 (254x203x152)	N1P0810	check	8.25x6.25 (210x159)	10.31x8.31 (262x211)	5.53 (141)	0.56 (14)	4.78 (121)	5.59 (142)	0.56 (14)
WA101006GIE	check	14/14	10x10x6 (254x254x152)	N1P1010	check	8.25x8.25 (210x210)	10.31x10.31 (262x262)	5.53 (141)	0.56 (14)	4.78 (121)	5.59 (142)	0.56 (14)
WA121004GIE	check	14/14	12x10x4 (305x254x102)	N1P1012	check	10.25x8.25 (260x210)	12.31x10.31 (313x262)	3.53 (90)	0.56 (14)	2.78 (71)	3.59 (91)	0.56 (14)
WA121006GIE	check	14/14	12x10x6 (305x254x152)	N1P1012	check	10.25x8.25 (260x210)	12.31x10.31 (313x262)	5.53 (141)	0.56 (14)	4.78 (121)	5.59 (142)	0.56 (14)
WA121206GIE	check	14/14	12x12x6 (305x305x152)	N1P1212	check	10.25x10.25 (260x260)	12.31x12.31 (313x313)	5.53 (141)	0.56 (14)	4.78 (121)	5.59 (142)	0.56 (14)
WA141206GIE	check	14/14	14x12x6 (356x305x152)	N1P1214	check	12.25x10.25 (311x260)	14.31x12.31 (364x313)	5.53 (141)	0.56 (14)	4.78 (121)	5.59 (142)	0.56 (14)

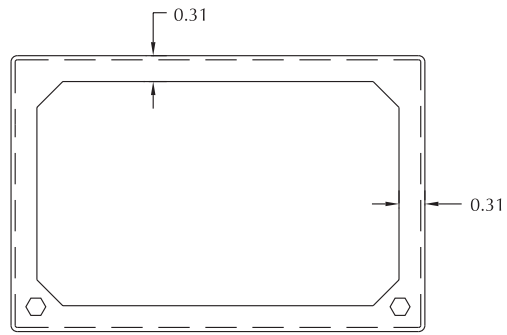
Note: Subpanels must be ordered separately. Dimensions in inches (millimeters); letters in table correspond to letters on dimensional drawings.

NEMA 12 JIC HINGED SCREW COVER WALL MOUNT

Dimensions



SECTION X-X



TOP VIEW COVER REMOVED



NEMA 12 JIC HANDY SCREW COVER

WALL MOUNT



Applications

Designed for use where protection from dirt, dust, oil and water is needed. Particularly suitable for use with liquid-tight flexible conduit.

- External mounting plates, top and bottom of enclosure
- Screw holes for cover match conventional outlet mounting criteria

Construction

- Bodies and doors fabricated from 14 gauge steel
- Drawn lid that features no welded seams or sharp corners
- No holes or conduit knockouts
- Lids are sealed with closed cell oil resistant neoprene gasket
- Cover screws thread into neoprene gasket for maximum seal

Finish

- ANSI-61 gray polyester powder inside and out over phosphatized surfaces

Listings

- UL 50, Types 12 & 13
- UL File E64791
- CSA Certified, Type 12
- CSA File LL66078
- NEMA/EEMAC Types 12 & 13
- JIC EL-1-71

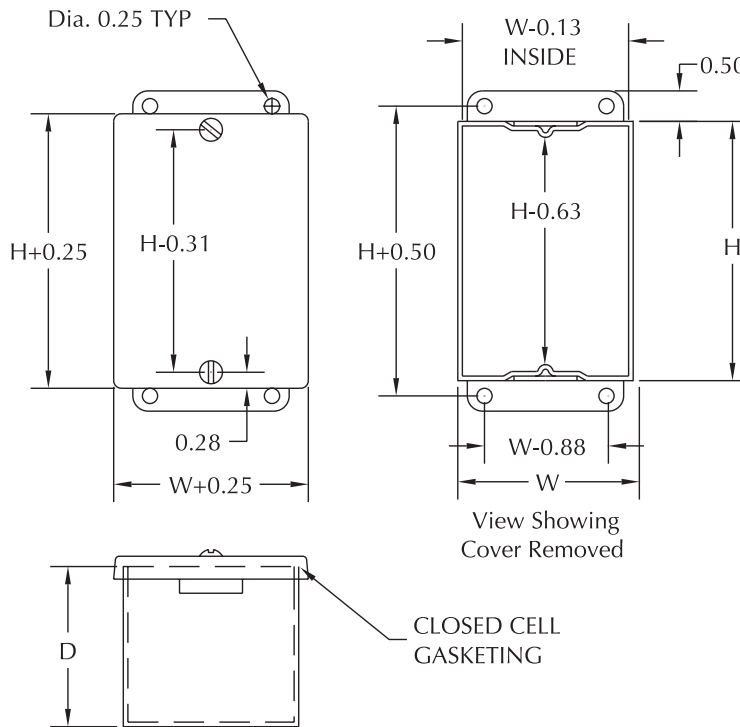
Enclosure Shipping Schedule		
Same day	1 - 7 days	1 -10 days
Color indicates shipping lead time in business days.		



Part Number	Price	Body/Door Steel Gauge	Size HxWxD
JIC040202	check	14/14	4x2x2 (102x51x51)
JIC0403025	check	14/14	4.25x2.88x2.63 (108x73x67)
JIC040403	check	14/14	4x4x3 (102x102x76)

Note: Dimensions in inches (millimeters)

Dimensions



NEMA 12 JIC SMALL CONTIN. HINGE WALL MOUNT



Applications

Intended for use as electrical junction boxes, terminal wiring boxes, and instrument housings. Hinged door provides convenient access. Provides protection from dust, dirt, oil, and water.

Construction

- Bodies and doors fabricated from 14 gauge steel
- Continuously welded seams ground smooth, less knockouts or holes
- Lids are sealed with closed cell oil resistant neoprene gasket
- External mounting feet, top and bottom of enclosure
- Weldnuts provided for mounting optional subpanels securely on models 6"x4" and larger
- External screw clamps are quick and easy to operate
- Standard continuous hinge
- Grounding provisions provided

Finish

- ANSI-61 gray polyester powder inside and out over phosphatized surfaces
- Optional subpanels are white polyester powder over phosphatized surfaces

Listings

- UL 50, Types 12 and 13
- UL Files E6924
- CSA Certified, Type 12
- CSA File LL66078
- NEMA/EEMAC Types 12 and 13
- JIC EL-1-71

Enclosure Shipping Schedule

Same day	1 - 7 days	1 -10 days
----------	------------	------------

Color indicates shipping lead time in business days.

Part Number	Price	Body/Door	Enclosure Size HxWxD	Subpanel P/N	Price	Subpanel Size AxB	Mtg CxÉ	Overall LxM	F	G	I	J	K	N	O	P	Q
B040403CH	check	14/14	4x4x3 (102x102x76)	NA	NA	NA	4.75x2 (121x51)	5.50x5 (140x127)	2.53 (76)	4.31 (109)	3 (76)	NA	1.38 (35)	1.78 (45)	2.53 (64)	0.63 (16)	4.31 (110)
B040404CH	check	14/14	4x4x4 (102x102x102)	NA	NA	NA	4.75x2 (121x51)	5.50x5 (140x127)	3.53 (101)	4.31 (109)	3 (76)	NA	1.38 (35)	2.78 (71)	3.53 (90)	0.63 (16)	4.31 (110)
B060403CH	check	14/14	6x4x3 (152x102x76)	P0604	check	4.88x2.88 (124x73)	6.75x2 (171x51)	7.50x5 (191x127)	2.53 (76)	4.31 (109)	3 (76)	0.56 (14)	2.38 (60)	1.78 (45)	2.53 (64)	0.63 (16)	6.31 (160)
B060404CH	check	14/14	6x4x4 (152x102x102)	P0604	check	4.88x2.88 (124x73)	6.75x2 (171x51)	7.50x5 (191x127)	3.53 (101)	4.31 (109)	3 (76)	0.56 (14)	2.38 (60)	2.78 (71)	3.53 (90)	0.63 (16)	6.31 (160)
B060604CH	check	14/14	6x6x4 (152x152x102)	P0606	check	4.88x4.88 (124x124)	6.75x4 (171x102)	7.50x5 (191x127)	3.53 (101)	6.31 (160)	5 (127)	0.56 (14)	2.38 (60)	2.78 (71)	3.53 (90)	0.63 (16)	6.31 (160)
B080603CH	check	14/14	8x6x3.50 (203x152x89)	P0806	check	6.88x4.88 (175x124)	8.75x4 (222x102)	9.50x7 (241x178)	3.03 (88)	6.31 (160)	5 (127)	0.56 (14)	1 (25)	2.28 (58)	3.03 (77)	0.63 (16)	8.31 (211)
B080606CH	check	14/14	8x6x6 (203x152x152)	P0806	check	6.88x4.88 (175x124)	8.75x4 (222x102)	9.50x7 (241x178)	5.53 (152)	6.31 (160)	5 (127)	0.56 (14)	1 (25)	4.78 (121)	5.53 (141)	0.63 (16)	8.31 (211)
B080804CH	check	14/14	8x8x4 (203x203x102)	P0808	check	6.88x6.88 (175x175)	8.75x6 (222x152)	9.50x9 (241x229)	3.53 (101)	8.31 (211)	7 (178)	0.56 (14)	1 (25)	2.78 (71)	3.53 (90)	0.63 (16)	8.31 (211)
B100804CH	check	14/14	10x8x4 (254x203x102)	P1008	check	8.88x6.88 (226x175)	10.75x6 (273x152)	11.50x9 (292x229)	3.53 (101)	8.31 (211)	7 (178)	0.56 (14)	1 (25)	2.78 (71)	3.53 (90)	0.63 (16)	10.31 (262)
B100804CHS	check	14/14	8x10x4 (203x254x102)	P1008	check	8.88x6.88 (226x175)	10.75x6 (273x152)	11.50x9 (292x229)	3.53 (101)	8.31 (211)	7 (178)	0.56 (14)	1 (25)	2.78 (71)	3.53 (90)	0.63 (16)	10.31 (262)
B100806CH	check	14/14	10x8x6 (254x203x152)	P1008	check	8.88x6.88 (226x175)	10.75x6 (273x152)	11.50x9 (292x229)	5.53 (152)	8.31 (211)	7 (178)	0.56 (14)	1 (25)	4.78 (121)	5.53 (141)	0.63 (16)	10.31 (262)
B101006CH	check	14/14	10x10x6 (254x254x152)	P1010	check	8.88x8.88 (226x226)	10.75x8 (273x203)	11.50x11 (292x279)	5.53 (152)	5.53 (152)	9 (229)	0.56 (14)	1 (25)	4.78 (121)	5.53 (141)	0.63 (16)	10.31 (262)

Note: Subpanels must be ordered separately. Dimensions in inches (millimeters); letters in table correspond to letters on dimensional drawings.



NEMA 12 JIC SMALL CONTIN. HINGE WALL MOUNT

Part Number	Price	Body/Door	Enclosure Size HxWxD	Subpanel P/N	Price	Subpanel Size AxB	Mtg CxE	Overall LxM	F	G	I	J	K	N	O	P	Q
B120604CH	check	14/14	12x6x4 (305x152x102)	P1206	check	10.88x4.88 (276x124)	12.75x4 (324x102)	13.50x7 (343x178)	3.53 (101)	6.31 (160)	5 (127)	0.56 (14)	1 (25)	2.78 (71)	3.53 (90)	0.63 (16)	12.31 (313)
B121005CH	check	14/14	12x10x5 (305x254x127)	P1210	check	10.88x8.88 (276x226)	12.75x8 (324x203)	13.50x11 (343x279)	4.53 (127)	10.31 (262)	9 (229)	0.56 (14)	1 (25)	3.78 (96)	4.53 (115)	0.63 (16)	12.31 (313)
B121005CHS	check	14/14	10x12x5 (254x305x127)	P1210	check	10.88x8.88 (276x226)	12.75x8 (324x203)	13.50x11 (343x279)	4.53 (127)	10.31 (262)	9 (229)	0.56 (14)	1 (25)	3.78 (96)	4.53 (115)	0.63 (16)	12.31 (313)
B121008CH	check	14/14	12x10x8 (305x254x203)	P1210	check	10.88x8.88 (276x226)	12.75x8 (324x203)	13.50x11 (343x279)	7.53 (203)	10.31 (262)	9 (229)	0.56 (14)	1 (25)	6.78 (172)	7.53 (191)	0.63 (16)	12.31 (313)
B121206CH	check	14/14	12x12x6 (305x305x152)	P1212	check	10.88x10.88 (276x276)	12.75x10 (324x254)	13.50x13 (343x330)	5.53 (152)	12.31 (313)	11 (279)	0.56 (14)	1 (25)	4.78 (121)	5.53 (141)	0.63 (16)	12.31 (313)
B140806CH	check	14/14	14x8x6 (356x203x152)	P1408	check	12.88x6.88 (327x175)	14.75x6 (375x152)	15.50x9 (394x229)	5.53 (152)	8.31 (211)	7 (178)	0.56 (14)	1 (25)	4.78 (121)	5.53 (141)	0.63 (16)	14.31 (364)
B141206CH	check	14/14	14x12x6 (356x305x152)	P1412	check	12.88x10.88 (327x276)	14.75x10 (375x254)	15.50x13 (394x330)	5.53 (152)	12.31 (313)	11 (279)	0.56 (14)	1 (25)	4.78 (121)	5.53 (141)	0.63 (16)	14.31 (364)
B141206CHS	check	14/14	12x14x6 (305x356x152)	P1412	check	12.88x10.88 (327x276)	14.75x10 (375x254)	15.50x13 (394x330)	5.53 (152)	12.31 (313)	11 (279)	0.56 (14)	1 (25)	4.78 (121)	5.53 (141)	0.63 (16)	14.31 (364)
B141208CH	check	14/14	14x12x8 (356x305x203)	P1412	check	12.88x10.88 (327x276)	14.75x10 (375x254)	15.50x13 (394x330)	7.53 (203)	12.31 (313)	11 (279)	0.56 (14)	1 (25)	6.78 (172)	7.53 (191)	0.63 (16)	14.31 (364)
B161006CH	check	14/14	16x10x6 (406x254x152)	P1610	check	14.88x8.88 (378x226)	16.75x8 (425x203)	17.50x11 (445x279)	5.53 (152)	10.31 (262)	9 (229)	0.56 (14)	1 (25)	4.78 (121)	5.53 (141)	0.63 (16)	16.31 (414)
B161406CH	check	14/14	16x14x6 (406x356x152)	P1614	check	14.88x12.88 (378x327)	16.75x12 (425x305)	17.50x15 (445x381)	5.53 (152)	14.31 (363)	13 (330)	0.56 (14)	1 (25)	4.78 (121)	5.53 (141)	0.63 (16)	16.31 (414)
B161406CHS	check	14/14	14x16x6 (356x406x152)	P1614	check	14.88x12.88 (378x327)	16.75x12 (425x305)	17.50x15 (445x381)	5.53 (152)	14.31 (363)	13 (330)	0.56 (14)	1 (25)	4.78 (121)	5.53 (141)	0.63 (16)	16.31 (414)
B161408CH	check	14/14	16x14x8 (406x356x203)	P1614	check	14.88x12.88 (378x327)	16.75x12 (425x305)	17.50x15 (445x381)	7.53 (203)	14.31 (363)	13 (330)	0.56 (14)	1 (25)	6.78 (172)	7.53 (191)	0.63 (16)	16.31 (414)
B161410CH	check	14/14	16x14x10 (406x356x254)	P1614	check	14.88x12.88 (378x327)	16.75x12 (425x305)	17.50x15 (445x381)	9.53 (254)	14.31 (363)	13 (330)	0.56 (14)	1 (25)	8.78 (223)	9.53 (242)	0.63 (16)	16.31 (414)

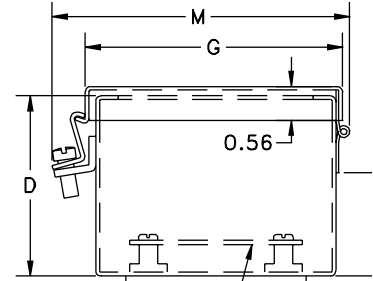
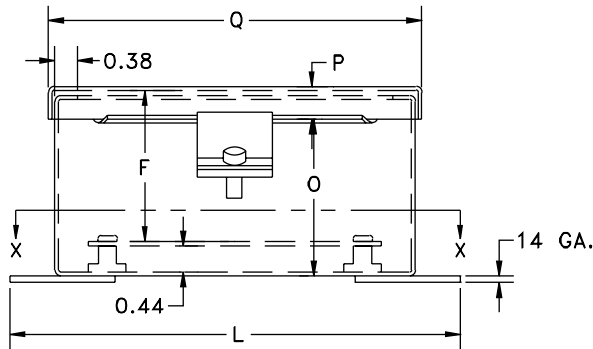
Note: Subpanels must be ordered separately.. Dimensions in inches (millimeters); letters in table correspond to letters on dimensional drawings.

Enclosure Shipping Schedule		
Same day	1 - 7 days	1 -10 days

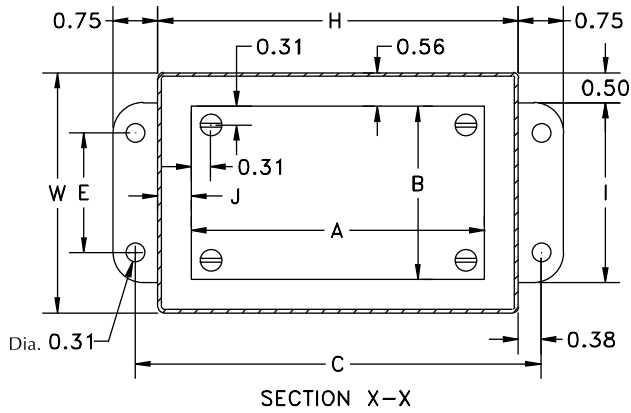
Color indicates shipping lead time in business days.

NEMA 12 JIC Small CONTIN. HINGE WALL MOUNT

Dimensions

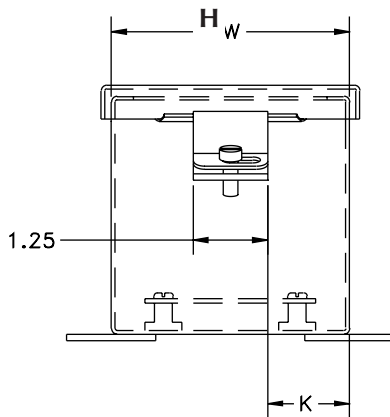


Panel (Order Separately)

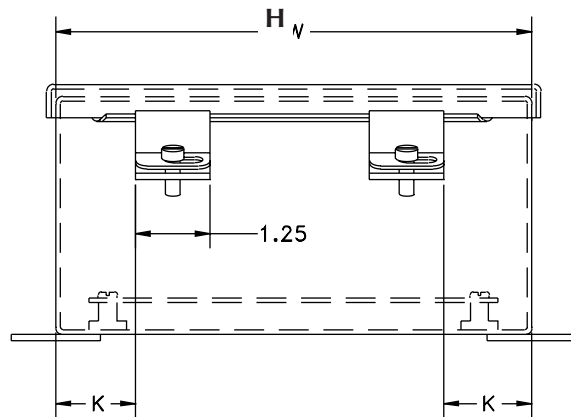


Notes:

1. Panels are 14 Ga. steel.
2. Panel Screws are #10-32 Pan Head.
3. Two clamps are used if H = 8.00" or more.



View showing clamp position when "H" is less than 8"



View showing clamp position when "H" equals 8" or more.

ENCLOSURES

NEMA 12 JIC LARGE CONTIN. HINGE WALL MOUNT



Application

Designed to house electrical controls, terminals, instruments and components. Provides protection from dust, dirt, oil, and water.

Construction

- Bodies and doors fabricated from 14 gauge steel
- Continuously welded seams ground smooth, less knockouts or holes
- Doors are sealed with poured in place polyurethane gasket
- External screw clamps on door
- Continuously hinged door is removable by pulling hinge pin
- Print pocket is provided
- Door and body stiffeners are provided in larger enclosures for added rigidity

- Collar studs are provided for mounting optional subpanels
- External mounting feet
- Grounding provisions provided

Finish

- ANSI-61 gray polyester powder inside and out over phosphatized surfaces
- Optional subpanels are painted white polyester powder over phosphatized surfaces

Industry Standards

- UL 50, Types 12 and 13
- UL Files E6924
- CSA Certified, Types 12 and 13
- CSA File LL66078
- NEMA/EEMAC Type 12
- JIC EL-1-71

Enclosure Shipping Schedule

Same day	1 - 7 days	1 -10 days
----------	------------	------------

Color indicates shipping lead time in business days.

Part Number	Price	Body/Door	Enclosure Size HxWxD	Subpanel P/N	Price	Subpanel Size AxB	C	Stiffener
B201607CH	check	14/14	20x16x7 (508x406x178)	NP2016	check	17x13 (432x330)	NA	door: no body: no
B201609CH	check	14/14	20x16x9 (508x406x229)	NP2016	check	17x13 (432x330)	NA	door: no body: no
B202007CH	check	14/14	20x20x7 (508x508x178)	NP2020	check	17x17 (432x432)	NA	door: no body: no
B202009CH	check	14/14	20x20x9 (508x508x229)	NP2020	check	17x17 (432x432)	NA	door: no body: no
B242007CH	check	14/14	24x20x7 (610x508x178)	NP2420	check	21x17 (533x432)	NA	door: no body: no
B242009CH	check	14/14	24x20x9 (610x508x229)	NP2420	check	21x17 (533x432)	NA	door: no body: no
B242407CH	check	14/14	24x24x7 (610x610x178)	NP2424	check	21x21 (533x533)	NA	door: no body: no
B242409CH	check	14/14	24x24x9 (610x610x229)	NP2424	check	21x21 (533x533)	NA	door: no body: no
B242411CH	check	14/14	24x24x11 (610x610x279)	NP2424	check	21x21 (533x533)	NA	door: no body: no
B302007CH	check	14/14	30x20x7 (762x508x178)	NP3020	check	27x17 (686x432)	NA	door: no body: no
B302009CH	check	14/14	30x20x9 (762x508x229)	NP3020	check	27x17 (686x432)	NA	door: no body: no
B302409CH	check	14/14	30x24x9 (762x610x229)	NP3024	check	27x21 (686x533)	NA	door: no body: no
B302413CH	check	14/14	30x24x13 (762x610x330)	NP3024	check	27x21 (686x533)	NA	door: no body: no

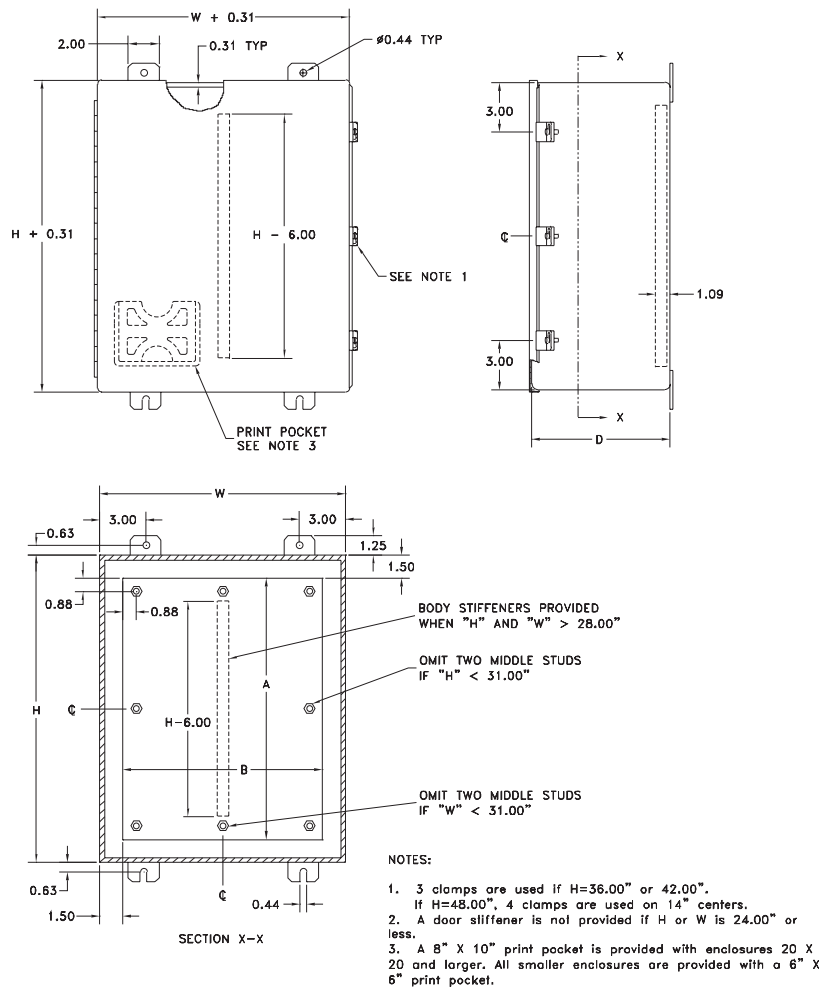
Note: Subpanels must be ordered separately. Dimensions in inches (millimeters); letters in table correspond to letters on dimensional drawings.

NEMA 12 JIC LARGE CONTIN. HINGE WALL MOUNT

Part Number	Price	Body/Door	Enclosure Size HxWxD	Subpanel P/N	Price	Subpanel Size AxB	C	Stiffener
B362407CH	check	14/14	36x24x7 (914x610x178)	NP3624	check	33x21 (838x533)	NA	door: no body: no
B362409CH	check	14/14	36x24x9 (914x610x229)	NP3624	check	33x21 (838x533)	NA	door: no body: no
B362411CH	check	14/14	36x24x11 (914x610x279)	NP3624	check	33x21 (838x533)	NA	door: no body: no
B363009CH	check	14/14	36x30x9 (914x762x229)	NP3630	check	33x27 (838x686)	9 (229)	door: no body: yes
B363013CH	check	14/14	36x30x13 (914x762x330)	NP3630	check	33x27 (838x686)	9 (229)	door: no body: yes
B423609CH	check	14/14	42x36x9 (1067x914x229)	NP4236	check	39x33 (991x838)	9.88 (251)	door: yes body: yes
B483611CH	check	14/14	48x36x11 (1219x914x279)	NP4836	check	45x33 (1143x838)	11.38 (289)	door: yes body: yes

Note: Subpanels must be ordered separately. Dimensions in inches (millimeters); letters in table correspond to letters on dimensional drawings.

Dimensions



NEMA 12 SINGLE-DOOR WALL MOUNT



Enclosure Shipping Schedule

Same day	1 - 7 days	1 - 10 days
----------	------------	-------------

Color indicates shipping lead time in business days.

Application

Designed to house electrical and electronic controls, instruments, components and associated wiring. Hinged doors provide easy access. Designed for indoor use in protecting components from dust, dirt, oil and water.

Construction

- Fabricated from 14 gauge steel
- Continuously plasma welded seams
- Door and body stiffeners are provided in larger enclosures for extra rigidity
- Rolled lip on three sides of door and all sides of enclosure opening is provided to exclude liquids and contaminants
- Quick and easy-to-operate door clamps are provided
- Doors removable by pulling heavy gauge continuous hinge pin
- Hasp and staple for padlocking
- Print pocket is provided

- Most doors are sealed with poured in place polyurethane gasket (where indicated, other doors have neoprene gasket)
- Collar studs provided for mounting optional subpanels
- External mounting feet
- Grounding provisions provided
- Optional subpanels must be ordered separately

Finish

- ANSI-61 gray polyester powder inside and outside over phosphatized surfaces.
- Optional subpanels are painted white polyester powder over phosphatized surfaces.

Listings

- UL 50, Types 12 and 13
- (UL file E6924)
- CSA Certified, Type 12
- (CSA file LL66078)
- Meets NEMA/EEMAC Types 12 and 13 requirements
- JIC EL-1-71

Part Number	Price	Enclosure Size HxWxD	Subpanel P/N	Price	Subpanel Size AxB	C	E	No. of Clamps	Stiffener
N12122406	check	12x24x6 (305x610x152)	NP1224	check	9x21 (229x533)	NA	0	2	door: no body: no
N12122408	check	12x24x8 (305x610x203)	NP1224	check	9x21 (229x533)	NA	0	2	door: no body: no
N12161206	check	16x12x6 (406x305x152)	NP1612	check	13x9 (330x229)	NA	0	2	door: no body: no
N12161208	check	16x12x8 (406x305x203)	NP1612	check	13x9 (330x229)	NA	0	2	door: no body: no
N12161210	check	16x12x10 (406x305x254)	NP1612	check	13x9 (330x229)	NA	0	2	door: no body: no
N12161606	check	16x16x6 (406x406x152)	NP1616	check	13x13 (330x330)	NA	0	2	door: no body: no
N12161608	check	16x16x8 (406x406x203)	NP1616	check	13x13 (330x330)	NA	0	2	door: no body: no
N12162006	check	16x20x6 (406x508x152)	NP2016	check	13x17 (330x432)	NA	0	2	door: no body: no
N12162008	check	16x20x8 (406x508x203)	NP2016	check	13x17 (330x432)	NA	0	2	door: no body: no
N12201206	check	20x12x6 (508x305x152)	NP2012	check	17x9 (432x229)	NA	0	2	door: no body: no
N12201208	check	20x12x8 (508x305x203)	NP2012	check	17x9 (432x229)	NA	0	2	door: no body: no
N12201606	check	20x16x6 (508x406x152)	NP2016	check	17x13 (432x330)	NA	0	2	door: no body: no
N12201608	check	20x16x8 (508x406x203)	NP2016	check	17x13 (432x330)	NA	0	2	door: no body: no
N12201610	check	20x16x10 (508x406x254)	NP2016	check	17x13 (432x330)	NA	0	2	door: no body: no
N12201612	check	20x16x12 (508x406x305)	NP2016	check	17x13 (432x330)	NA	0	2	door: no body: no
N12202006	check	20x20x6 (508x508x152)	NP2020	check	17x17 (432x432)	NA	0	2	door: no body: no
N12202008	check	20x20x8 (508x508x203)	NP2020	check	17x17 (432x432)	NA	0	2	door: no body: no

Note: Subpanels must be ordered separately. Dimensions in inches (millimeters); letters in table correspond to letters on dimensional drawings.



NEMA 12 SINGLE-DOOR WALL MOUNT

Part Number	Price	Enclosure Size HxWxD	Subpanel P/N	Price	Subpanel Size AxB	C	E	No. of Clamps	Stiffener
N12202010	check	20x20x10 (508x508x254)	NP2020	check	17x17 (432x432)	NA	0	2	door: no body: no
N12202406	check	20x24x6 (508x610x152)	NP2420	check	17x21 (432x533)	NA	0	2	door: no body: no
N12202408	check	20x24x8 (508x610x203)	NP2420	check	17x21 (432x533)	NA	0	2	door: no body: no
N12241206	check	24x12x6 (610x305x152)	NP1224	check	9x21 (229x533)	NA	0	2	door: no body: no
N12241208	check	24x12x8 (610x305x203)	NP1224	check	21x9 (533x229)	NA	0	2	door: no body: no
N12241210	check	24x12x10 (610x305x254)	NP1224	check	21x9 (533x229)	NA	0	2	door: no body: no
N12241606	check	24x16x6 (610x406x152)	NP2416	check	21x13 (533x330)	NA	0	2	door: no body: no
N12241608	check	24x16x8 (610x406x203)	NP2416	check	21x13 (533x330)	NA	0	2	door: no body: no
N12242006	check	24x20x6 (610x508x152)	NP2420	check	21x17 (533x432)	NA	0	2	door: no body: no
N12242008	check	24x20x8 (610x508x203)	NP2420	check	21x17 (533x432)	NA	0	2	door: no body: no
N12242010	check	24x20x10 (610x508x254)	NP2420	check	21x17 (533x432)	NA	0	2	door: no body: no
N12242012	check	24x20x12 (610x508x305)	NP2420	check	21x17 (533x432)	NA	0	2	door: no body: no
N12242016*	check	24x20x16 (610x508x406)	NP2420	check	21x17 (533x432)	NA	0	2	door: no body: no
N12242406	check	24x24x6 (610x610x152)	NP2424	check	21x21 (533x533)	NA	0	2	door: no body: no
N12242408	check	24x24x8 (610x610x203)	NP2424	check	21x21 (533x533)	NA	0	2	door: no body: no
N12242410	check	24x24x10 (610x610x254)	NP2424	check	21x21 (533x533)	NA	0	2	door: no body: no
N12242412	check	24x24x12 (610x610x305)	NP2424	check	21x21 (533x533)	NA	0	2	door: no body: no
N12242416*	check	24x24x16 (610x610x406)	NP2424	check	21x21 (533x533)	NA	0	2	door: no body: no
N12243008	check	24x30x8 (610x762x203)	NP3024	check	21x27 (533x686)	NA	0	2	door: no body: no
N12301606	check	30x16x6 (762x406x152)	NP3016	check	27x13 (686x330)	NA	0	2	door: no body: no
N12302006	check	30x20x6 (762x508x152)	NP3020	check	27x17 (686x432)	NA	0	2	door: no body: no
N12302008	check	30x20x8 (762x508x203)	NP3020	check	27x17 (686x432)	NA	0	2	door: no body: no
N12302010	check	30x20x10 (762x508x254)	NP3020	check	27x17 (686x432)	NA	0	2	door: no body: no
N12302406	check	30x24x6 (762x610x152)	NP3024	check	27x21 (686x533)	NA	0	2	door: no body: no
N12302408	check	30x24x8 (762x610x203)	NP3024	check	27x21 (686x533)	NA	0	2	door: no body: no
N12302410	check	30x24x10 (762x610x254)	NP3024	check	27x21 (686x533)	NA	0	2	door: no body: no
N12302412	check	30x24x12 (762x610x305)	NP3024	check	27x21 (686x533)	NA	0	2	door: no body: no
N12302416*	check	30x24x16 (762x610x406)	NP3024	check	27x21 (686x533)	NA	0	2	door: no body: no
N12302420*	check	30x24x20 (762x610x508)	NP3024	check	27x21 (686x533)	NA	0	2	door: no body: no
N12302424*	check	30x24x24 (762x610x610)	NP3024	check	27x21 (686x533)	NA	0	2	door: no body: no

Note: Subpanels must be ordered separately. Dimensions in inches (millimeters); letters in table correspond to letters on dimensional drawings.



NEMA 12 SINGLE-DOOR WALL MOUNT

Part Number	Price	Enclosure Size HxWxD	Subpanel P/N	Price	Subpanel Size AxB	C	E	No. of Clamps	Stiffener
N12303008	check	30x30x8 (762x762x203)	NP3030	check	27x27 (686x686)	7 (178)	0	2	door: no body: yes
N12303012	check	30x30x12 (762x762x305)	NP3030	check	27x27 (686x686)	7 (178)	0	2	door: no body: yes
N12303608	check	30x36x8 (762x914x203)	NP3630	check	27x33 (686x838)	9 (229)	0	2	door: no body: yes
N12362406	check	36x24x6 (914x610x152)	NP3624	check	33x21 (838x533)	NA	0	2	door: no body: no
N12362408	check	36x24x8 (914x610x203)	NP3624	check	33x21 (838x533)	NA	0	2	door: no body: no
N12362410	check	36x24x10 (914x610x254)	NP3624	check	33x21 (838x533)	NA	0	2	door: no body: no
N12362412	check	36x24x12 (914x610x305)	NP3624	check	33x21 (838x533)	NA	0	2	door: no body: no
N12363006	check	36x30x6 (914x762x152)	NP3630	check	33x27 (838x686)	9 (229)	0	2	door: no body: yes
N12363008	check	36x30x8 (914x762x203)	NP3630	check	33x27 (838x686)	9 (229)	0	2	door: no body: yes
N12363010	check	36x30x10 (914x762x254)	NP3630	check	33x27 (838x686)	9 (229)	0	2	door: no body: yes
N12363012	check	36x30x12 (914x762x305)	NP3630	check	33x27 (838x686)	9 (229)	0	2	door: no body: yes
N12363016	check	36x30x16 (914x762x406)	NP3630	check	33x27 (838x686)	9 (229)	0	2	door: no body: yes
N12363020*	check	36x30x20 (914x762x508)	NP3630	check	33x27 (838x686)	9 (229)	0	2	door: no body: yes
N12363608	check	36x36x8 (914x914x203)	NP3636	check	33x33 (838x838)	9 (229)	0	2	door: yes body: yes
N12363612	check	36x36x12 (914x914x305)	NP3636	check	33x33 (838x838)	9 (229)	0	2	door: yes body: yes
N12422408	check	42x24x8 (1067x610x203)	NP4224	check	39x21 (991x533)	NA	8.813 (224)	3	door: no body: no
N12423008	check	42x30x8 (1067x762x203)	NP4230	check	39x27 (991x686)	9.88 (251)	8.813 (224)	3	door: yes body: yes
N12423010	check	42x30x10 (1067x762x254)	NP4230	check	39x27 (991x686)	9.88 (251)	8.813 (224)	3	door: yes body: yes
N12423012	check	42x30x12 (1067x762x305)	NP4230	check	39x27 (991x686)	9.88 (251)	8.813 (224)	3	door: yes body: yes
N12423608	check	42x36x8 (1067x914x203)	NP4236	check	39x33 (991x838)	9.88 (251)	8.813 (224)	3	door: yes body: yes
N12423610	check	42x36x10 (1067x914x254)	NP4236	check	39x33 (991x838)	9.88 (251)	8.813 (224)	3	door: yes body: yes
N12423612	check	42x36x12 (1067x914x305)	NP4236	check	39x33 (991x838)	9.88 (251)	8.813 (224)	3	door: yes body: yes
N12423616*	check	42x36x16 (1067x914x406)	NP4236	check	39x33 (991x838)	9.88 (251)	8.813 (224)	3	door: yes body: yes
N12482408*	check	48x24x8 (1219x610x203)	NP4824	check	45x21 (1143x533)	NA	10.313 (262)	3	door: no body: no
N12483008*	check	48x30x8 (1219x762x203)	NP4830	check	45x27 (1143x686)	13 (330)	10.313 (262)	3	door: yes body: yes
N12483010*	check	48x30x10 (1219x762x254)	NP4830	check	45x27 (1143x686)	13 (330)	10.313 (262)	3	door: yes body: yes
N12483608*	check	48x36x8 (1219x914x203)	NP4836	check	45x33 (1143x838)	11.38 (289)	10.313 (262)	3	door: yes body: yes
N12483610*	check	48x36x10 (1219x914x254)	NP4836	check	45x33 (1143x838)	11.38 (289)	10.313 (262)	3	door: yes body: yes
N12483612*	check	48x36x12 (1219x914x305)	NP4836	check	45x33 (1143x838)	11.38 (289)	10.313 (262)	3	door: yes body: yes
N12483616*	check	48x36x16 (1219x914x406)	NP4836	check	45x33 (1143x838)	11.38 (289)	10.313 (262)	3	door: yes body: yes

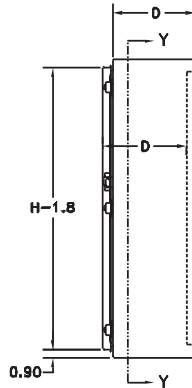
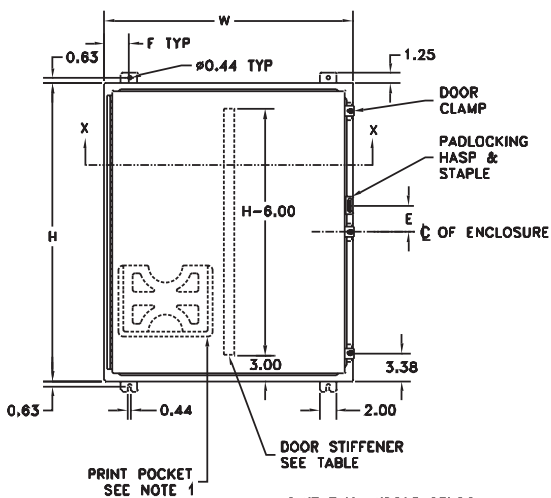
Notes: Subpanels must be ordered separately. Dimensions in inches (millimeters); letters in table correspond to letters on dimensional drawings. *Doors have neoprene gasket.

NEMA 12 SINGLE-DOOR WALL MOUNT

Part Number	Price	Enclosure Size HxWxD	Subpanel P/N	Price	Subpanel Size AxB	C	E	No. of Clamps	Stiffener
N12483620*	check	48x36x20 (1219x914x508)	NP4836	check	45x33 (1143x838)	11.38 (289)	10.313 (262)	3	door: yes body: yes
N12603608*	check	60x36x8 (1524x914x203)	NP6036	check	57x33 (1448x838)	14.38 (365)	13.313 (338)	3	door: yes body: yes
N12603610*	check	60x36x10 (1524x914x254)	NP6036	check	57x33 (1448x838)	14.38 (365)	13.313 (338)	3	door: yes body: yes
N12603612*	check	60x36x12 (1524x914x305)	NP6036	check	57x33 (1448x838)	14.38 (365)	13.313 (338)	3	door: yes body: yes
N12603616*	check	60x36x20 (1524x914x508)	NP6036	check	57x33 (1448x838)	14.38 (365)	13.313 (338)	3	door: yes body: yes
N12603620*	check	60x36x20 (1524x914x508)	NP6036	check	57x33 (1448x838)	14.38 (365)	13.313 (338)	3	door: yes body: yes
N12723012*	check	72x30x12 (1829x762x305)	NP7230	check	69x27 (1753x686)	17.38 (441)	0	4	door: yes body: yes
N12723016*	check	72x30x16 (1829x762x406)	NP7230	check	69x27 (1753x686)	17.38 (441)	0	4	door: yes body: yes
N12723612*	check	72x36x12 (1829x914x305)	NP7236	check	69x33 (1753x838)	17.38 (441)	0	4	door: yes body: yes

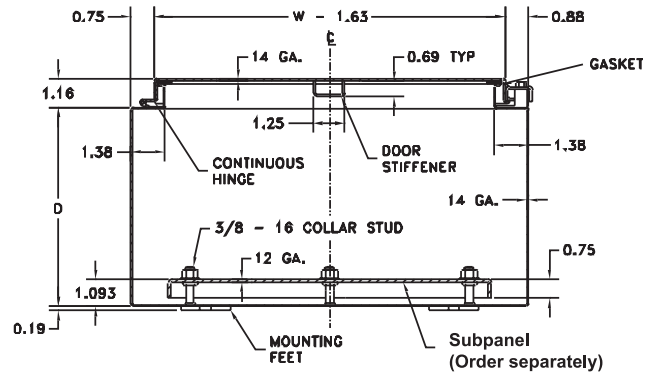
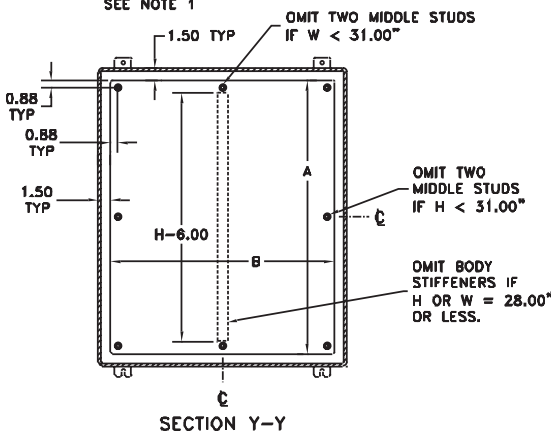
Notes: Subpanels must be ordered separately. Dimensions in inches (millimeters); letters in table correspond to letters on dimensional drawings. *Doors have neoprene gasket.

Dimensions



NOTES:

1. Large print pocket (8X10) is furnished if H = 20.00" or more and W = 20.00" or more. Otherwise small (6X6) print pocket is provided.
2. Panels are made from 12 Ga. steel.
3. Panels have flanges along all sides when either dimension exceeds 17".
4. The number of door clamps is dependent on size of enclosure. Clamps are furnished on right side of door.
5. F = 3" when W is 16" or greater and F = 1-1/4" when W is 12" or less.



NEMA 12 Two-Door Wall Mount



Applications

Designed for use in housing electrical and electronic controls, instruments, components and associated wiring. These enclosures incorporate double-hinged doors which provide convenient access. Designed for indoor use in protecting components from dust, dirt, oil and water.

Construction

- Bodies and doors fabricated from 14 gauge steel
- Doors are sealed with closed cell neoprene gasket
- Continuously welded seams ground smooth, less knockouts or holes
- Body stiffeners are added in larger enclosures for extra rigidity
- Grounding provisions provided
- Print pocket is provided
- Collar studs are provided for mounting optional subpanel
- External mounting feet are provided for mounting

- Rolled lip around all sides of enclosure opening is provided to exclude liquids and contaminants
- Special overlapping door design eliminates need for center post
- 3-point latching mechanism operates with an oil-tight locking handle
- Doors are removable by pulling heavy gauge continuous hinge pin

Finish

- ANSI-61 gray polyester powder inside and out over phosphatized surfaces
- Optional subpanels are white polyester powder over phosphatized surfaces

Listings

- UL 508 Type 12
- UL File E64791
- CSA Certified, Type 12
- CSA File LL66078
- NEMA/EEMAC Type 12
- JIC EL - 1 - 71

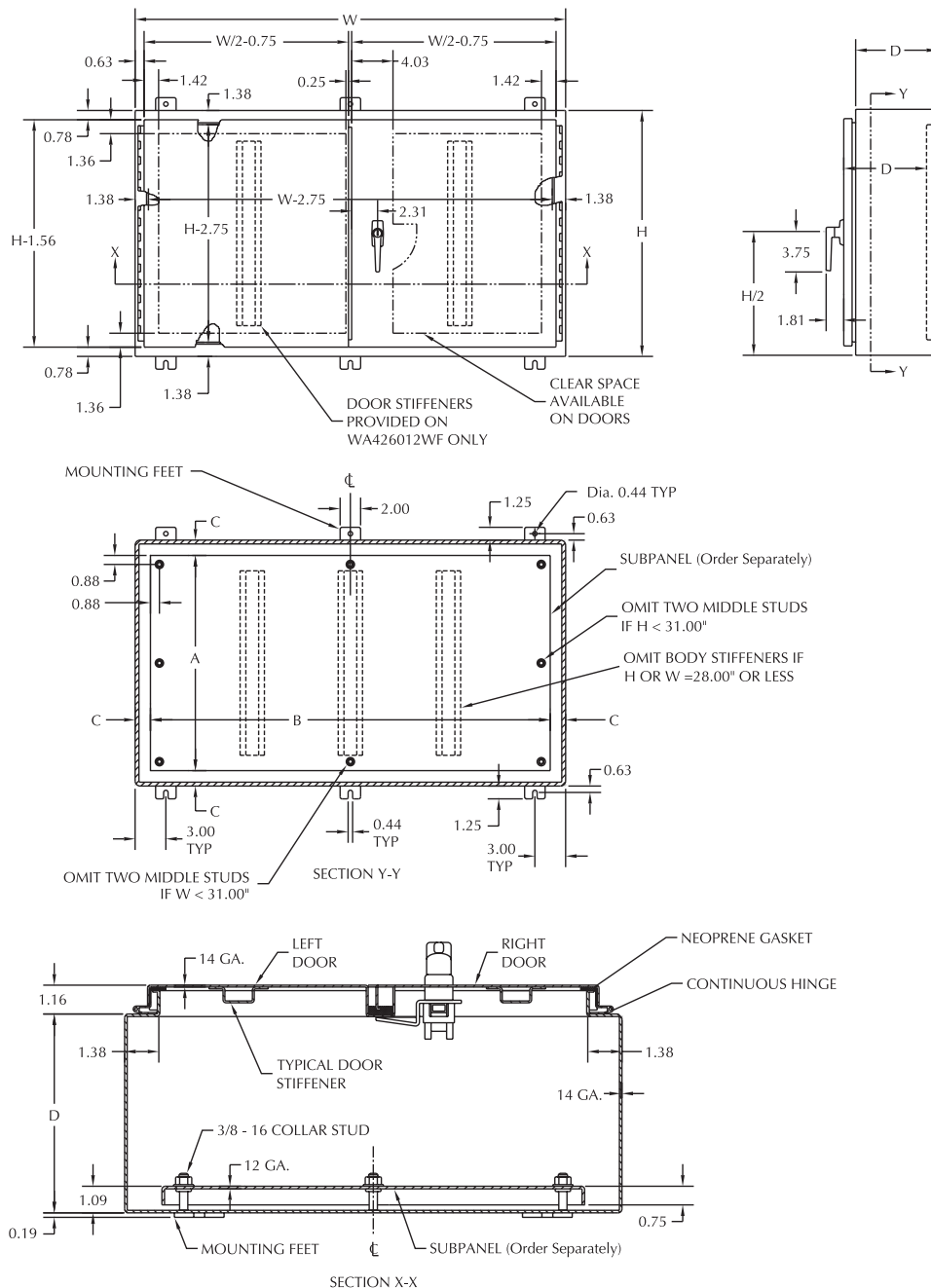
Enclosure Shipping Schedule		
Same day	1 - 7 days	1 - 10 days
Color indicates shipping lead time in business days.		

Part Number	Price	Body/Door	Enclosure Size HxWxD	Subpanel P/N	Price	Sub panel Ga.	Subpanel Size AxB	C	Stiffener(s)	
									Door	Body
WA244208WF	check	14/14	24x42x8 (610x1067x203)	NP4224	check	12	39x21 (991x533)	1.50 (38)	0	0
WA244808WF	check	14/14	24x48x8 (610x1219x203)	NP4824	check	12	21x45 (533x1143)	1.50 (38)	0	0
WA304210WF	check	14/14	30x42x10 (762x1067x254)	NP4230	check	12	27x39 (686x991)	1.50 (38)	0	3
WA304810WF	check	14/14	30x48x10 (762x1219x254)	NP4830	check	12	27x45 (686x1143)	1.50 (38)	0	3
WA306010WF	check	14/14	30x60x10 (762x1524x254)	NP6030	check	12	27x57 (686x1448)	1.50 (38)	0	3
WA364212WF	check	14/14	36x42x12 (914x1067x305)	NP4236	check	12	33x39 (838x991)	1.50 (38)	0	3
WA364812WF	check	14/14	36x48x12 (914x1219x305)	NP4836	check	12	33x45 (838x1143)	1.50 (38)	0	3
WA366012WF	check	14/14	36x60x12 (914x1524x305)	NP6036	check	12	33x57 (838x1448)	1.50 (38)	0	3
WA424212WF	check	14/14	42x42x12 (1067x1067x305)	NPDD4242	check	12	39x39 (991x991)	1.50 (38)	0	3
WA424812WF	check	14/14	42x48x12 (1067x1219x305)	NPDD4842	check	12	39x45 (991x1143)	1.50 (38)	0	3
WA426012WF	check	14/14	42x60x12 (1067x1524x305)	NPDD4260	check	12	38x56 (965x1422)	2.00 (51)	2	3
WA484812WF	check	14/14	48x48x12 (1219x1219x305)	NPDD4848	check	12	44x44 (1118x1118)	2.00 (51)	0	3

Note: Subpanels must be ordered separately. Dimensions in inches (millimeters); letters in table correspond to letters on dimensional drawings.

NEMA 12 Two-Door Wall Mount

Dimensions

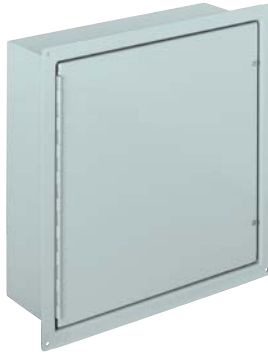


NEMA 12 SINGLE-DOOR FLUSH WALL MOUNT



Applications

Designed to house electrical controls, terminals and instruments. Provide protection from dirt, dust, oil and water. External frame allows enclosure to be recessed in wall. Enclosure is used in applications where external space is limited or in high traffic areas.



Construction

- Bodies and doors fabricated from 14 gauge steel. 10 gauge steel mounting frame extends completely around enclosure
- Continuously plasma welded seams
- Body stiffeners are added in larger enclosures for extra rigidity
- Grounding provisions provided
- Print Pocket is provided
- Collar studs are provided for mounting optional subpanel
- Rolled lip around all sides of enclosure opening is provided to exclude liquids and contaminants
- Doors are sealed with a pour-in-place polyurethane gasket

- Door is held closed with captivated screws threaded into sealed wells
- Door is removable by pulling heavy gauge continuous hinge pin

Finish

- ANSI-61 gray polyester powder inside and out over phosphatized surfaces
- Optional subpanels are white polyester powder over phosphatized surfaces

Listings

- UL 50 Type 12 & 13
- UL File E6924
- CSA Certified, Type 12
- CSA File LL66078
- NEMA/EEMAC Type 12 & 13
- JIC EL - 1 - 71

Enclosure Shipping Schedule

Same day	1 - 7 days	1 -10 days
----------	------------	------------

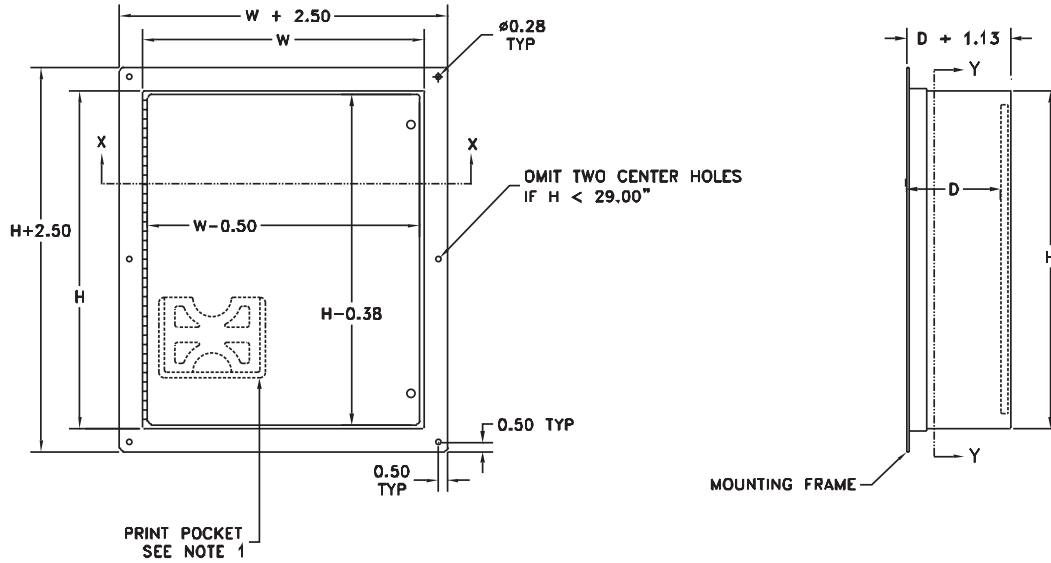
Color indicates shipping lead time in business days.

Part Number	Price	Body/Door	Mtg Frame Ga.	Enclosure Size HxWxD	Subpanel Part Number	Price	Subpanel Size AxB
WA161206FM	check	14/14	10	16x12x6 (406x305x152)	NP1612	check	13x9 (330x229)
WA202006FM	check	14/14	10	20x20x6 (508x508x152)	NP2020	check	17x17 (432x432)
WA242408FM	check	14/14	10	24x24x8 (610x610x203)	NP2424	check	21x21 (533x533)
WA302408FM	check	14/14	10	30x24x8 (762x610x203)	NP3024	check	27x21 (686x533)
WA363008FM	check	14/14	10	36x30x8 (914x762x203)	NP3630	check	33x27 (838x686)

Note: Subpanels must be ordered separately. Dimensions in inches (millimeters); letters in table correspond to letters on dimensional drawings.

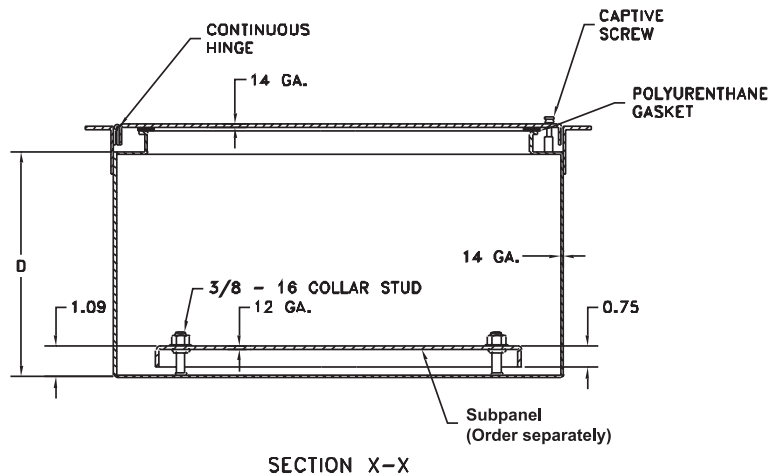
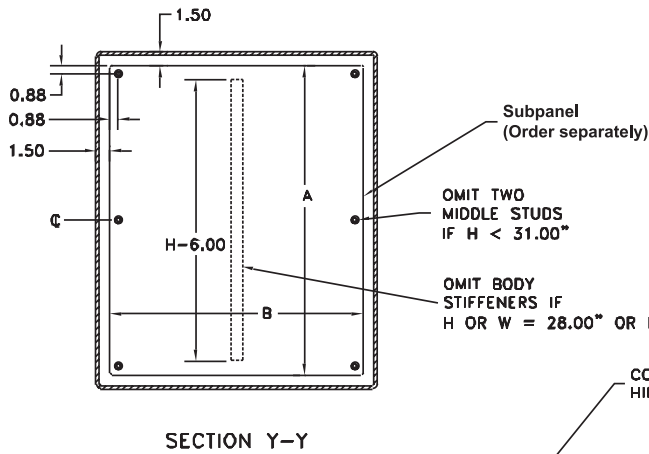
NEMA 12 SINGLE-DOOR FLUSH WALL MOUNT

Dimensions



NOTES:

1. Large print pocket (8X10) is furnished if $H = 20.00$ " or more and $W = 20.00$ " or more. Otherwise small (6X6) print pocket provided.
2. Panels made from 12 Ga. steel.



ENCLOSURES

NEMA 12 Two-Door Floor Mount



Application

Designed to protect electrical and electronic controls, components and instruments in typical industrial environments. Enclosure protects enclosed equipment from dust, dirt, oil and dripping water. These enclosures are used in machine tool applications for housing motor starters, drives, contactors, and PLCs, as well as a wide variety of other electrical and electronic equipment found in automotive, pulp and paper, wood products, textile, and similar industries.

Construction

- Bodies and doors fabricated from 12 gauge CRS. Floor mounting feet fabricated from 10 gauge CRS
- Continuously welded seams ground smooth, less knockouts or holes
- Heavy gauge continuous hinges support each door
- Special overlapping door design eliminates need for center post
- 3-point key-latching mechanism operated by oil-tight key-locking handle

- Print pocket provided
- Standard 12" high floor kits are welded to bottom of enclosure
- Heavy duty lifting eyes
- Strong, rigid construction with body stiffeners
- Doors are sealed with closed cell neoprene gasket
- Grounding provisions provided
- Subpanel supports
- Collar studs provided for mounting optional subpanels

Finish

- ANSI-61 gray polyester powder inside and out over phosphatized surfaces. Optional subpanels are painted white polyester powder over phosphatized surfaces.

Listings

- UL 508, Type 12 (UL file E64791)
- CSA Certified, Type 12 (CSA file LL66078)
- Meets NEMA/EEMAC Type 12 requirements
- JIC EL-1-71

Enclosure Shipping Schedule		
Same day	1 - 7 days	1 - 10 days
Color indicates shipping lead time in business days.		

Part Number	Price	Body/Door	Enclosure Size HxWxD (not incl. 12" legs)	Subpanel P/N	Price	Subpanel Size AxB	Subpanel Gauge	Stiffener
N12544208	check	12 / 12	54.12x42.12x8.12 (1375x1070x206)	NPDD5442	check	50x38 (1270x965)	10	door: no body: yes
N12604808	check	12 / 12	60.12x48.12x8.12 (1527x1222x206)	NPDD6048	check	56x44 (1422x1118)	10	door: no body: yes
N12604810	check	12 / 12	60.12x48.12x10.12 (1527x1222x257)	NPDD6048	check	56x44 (1422x1118)	10	door: no body: yes
N12604812	check	12 / 12	60.12x48.12x12.12 (1527x1222x308)	NPDD6048	check	56x44 (1422x1118)	10	door: no body: yes
N12604816	check	12 / 12	60.12x48.12x16.12 (1527x1222x409)	NPDD6048	check	56x44 (1422x1118)	10	door: no body: yes
N12604820	check	12 / 12	60.12x48.12x20.12 (1527x1222x511)	NPDD6048	check	56x44 (1422x1118)	10	door: no body: yes
N12604824	check	12 / 12	60.12x48.12x24.12 (1527x1222x613)	NPDD6048	check	56x44 (1422x1118)	10	door: no body: yes
N12606010	check	12 / 12	60.12x60.12x10.12 (1527x1527x257)	NPDD6060	check	56x56 (1422x1422)	10	door: no body: yes
N12606012	check	12 / 12	60.12x60.12x12.12 (1527x1527x308)	NPDD6060	check	56x56 (1422x1422)	10	door: no body: yes
N12606016	check	12 / 12	60.12x60.12x16.12 (1527x1527x409)	NPDD6060	check	56x56 (1422x1422)	10	door: no body: yes
N12606024	check	12 / 12	60.12x60.12x24.12 (1527x1527x613)	NPDD6060	check	56x56 (1422x1422)	10	door: no body: yes

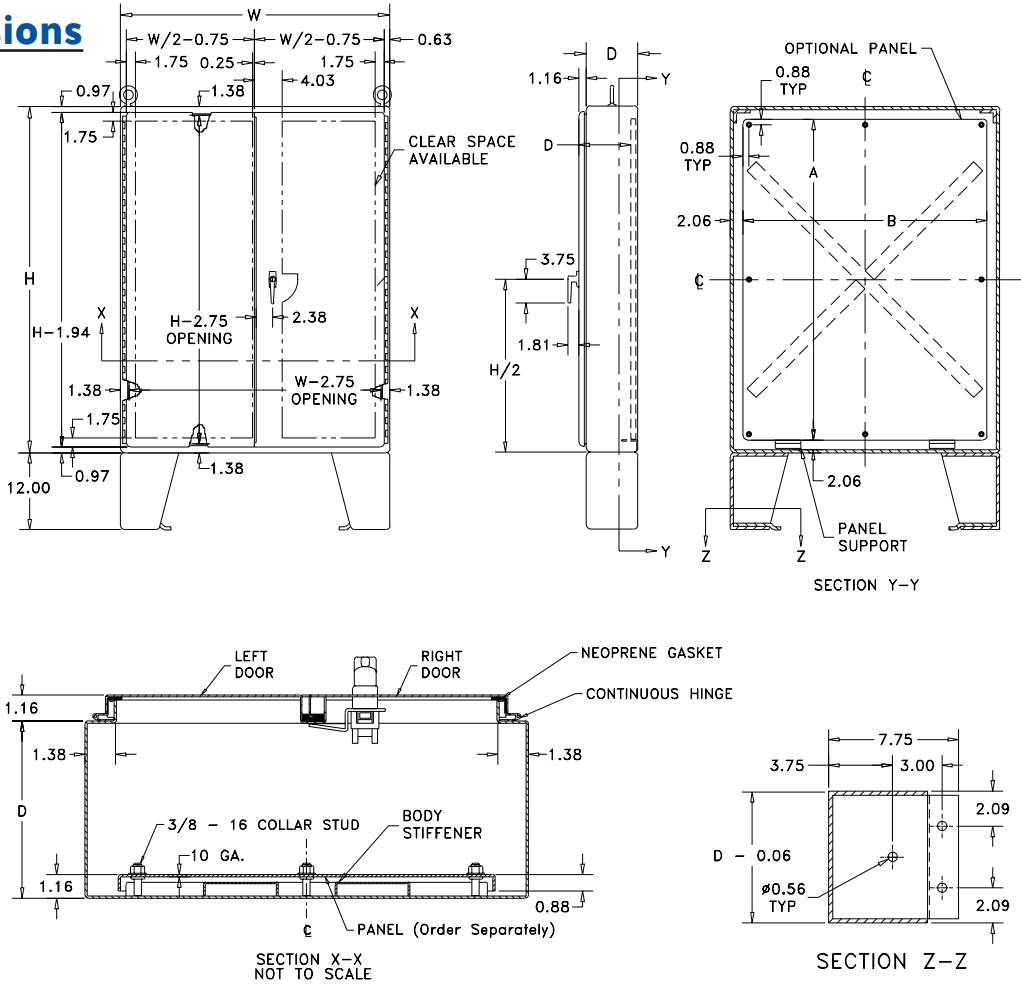
Note: Subpanels must be ordered separately. Dimensions in inches (millimeters); letters in table correspond to letters on dimensional drawings.

NEMA 12 Two-Door Floor Mount

Part Number	Price	Body/Door	Enclosure Size HxWxD (not incl. 12" legs)	Subpanel P/N	Price	Subpanel Size AxB	Subpanel Gauge	Stiffener
N12726010	check	12 / 12	72.12x60.12x10.12 (1832x1527x257)	NPDD7260	check	68x56 (1727x1422)	10	door: no body: yes
N12726012	check	12 / 12	72.12x60.12x12.12 (1832x1527x308)	NPDD7260	check	68x56 (1727x1422)	10	door: no body: yes
N12726016	check	12 / 12	72.12x60.12x16.12 (1832x1527x409)	NPDD7260	check	68x56 (1727x1422)	10	door: no body: yes
N12726020	check	12 / 12	72.12x60.12x20.12 (1832x1527x511)	NPDD7260	check	68x56 (1727x1422)	10	door: no body: yes
N12726024	check	12 / 12	72.12x60.12x24.12 (1832x1527x613)	NPDD7260	check	68x56 (1727x1422)	10	door: no body: yes
N12727210	check	12 / 12	72.12x72.12x10.12 (1832x1832x257)	NPDD7272	check	68x68 (1727x1727)	10	door: no body: yes
N12727212	check	12 / 12	72.12x72.12x12.12 (1832x1832x308)	NPDD7272	check	68x68 (1727x1727)	10	door: no body: yes
N12727216	check	12 / 12	72.12x72.12x16.12 (1832x1832x409)	NPDD7272	check	68x68 (1727x1727)	10	door: no body: yes
N12727220	check	12 / 12	72.12x72.12x20.12 (1832x1832x511)	NPDD7272	check	68x68 (1727x1727)	10	door: no body: yes
N12727224	check	12 / 12	72.12x72.12x24.12 (1832x1832x613)	NPDD7272	check	68x68 (1727x1727)	10	door: no body: yes

Note: Subpanels must be ordered separately. Dimensions in inches (millimeters); letters in table correspond to letters on dimensional drawings.

Dimensions



NEMA 12 SINGLE-DOOR FREESTANDING



Applications

Designed to protect electrical and electronic controls, components, and instruments in typical industrial environments. Enclosures protect equipment from dust, dirt, oil and dripping water. These enclosures are used in machine tool applications for housing motor starters, drives, contactors, and PLCs, as well as a wide variety of other electrical and electronic equipment. The enclosures are found extensively in automotive, pulp and paper, wood products, textile and similar industries.

Four styles are available to provide maximum flexibility:

- a) Single-door single-access (single door on front)
- b) Single-door dual-access (single door on front and rear)
- c) Two-door single-access (overlapping doors on front)
- d) Two-door dual-access (overlapping doors front and rear)

Construction

- Fabricated from 12 or 10 gauge steel
- Continuously welded seams ground smooth, less holes or knockouts
- Body stiffeners for extra rigidity
- Heavy duty lifting eyes for easy handling
- Grounding provisions provided
- Print pocket is provided
- Heavy gauge continuous hinges support each door
- 3-point latching mechanism with an oil-tight key locking handle is provided
- Doors are sealed with a closed cell neoprene gasket

- Stiffeners are welded to back of two door enclosures to maintain flatness and increase rigidity
- “Uni-strut” mounting channels are welded horizontally to interior body sides and top, bottom and center to allow back panels to be positioned in enclosure
- Optional swing, half, full and rack panels can be mounted anywhere along “uni-strut” channel

Finish

- ANSI-61 gray polyester powder inside and out over phosphatized surfaces
- Optional subpanels are white polyester powder over phosphatized surfaces

Listings

- UL 508Type 12
- UL File E64791
- CSA Certified, Type 12
- CSA File LL66078
- NEMA/EEMAC Type 12



Enclosure Shipping Schedule		
Same day	1 - 7 days	1 -10 days
Color indicates shipping lead time in business days.		



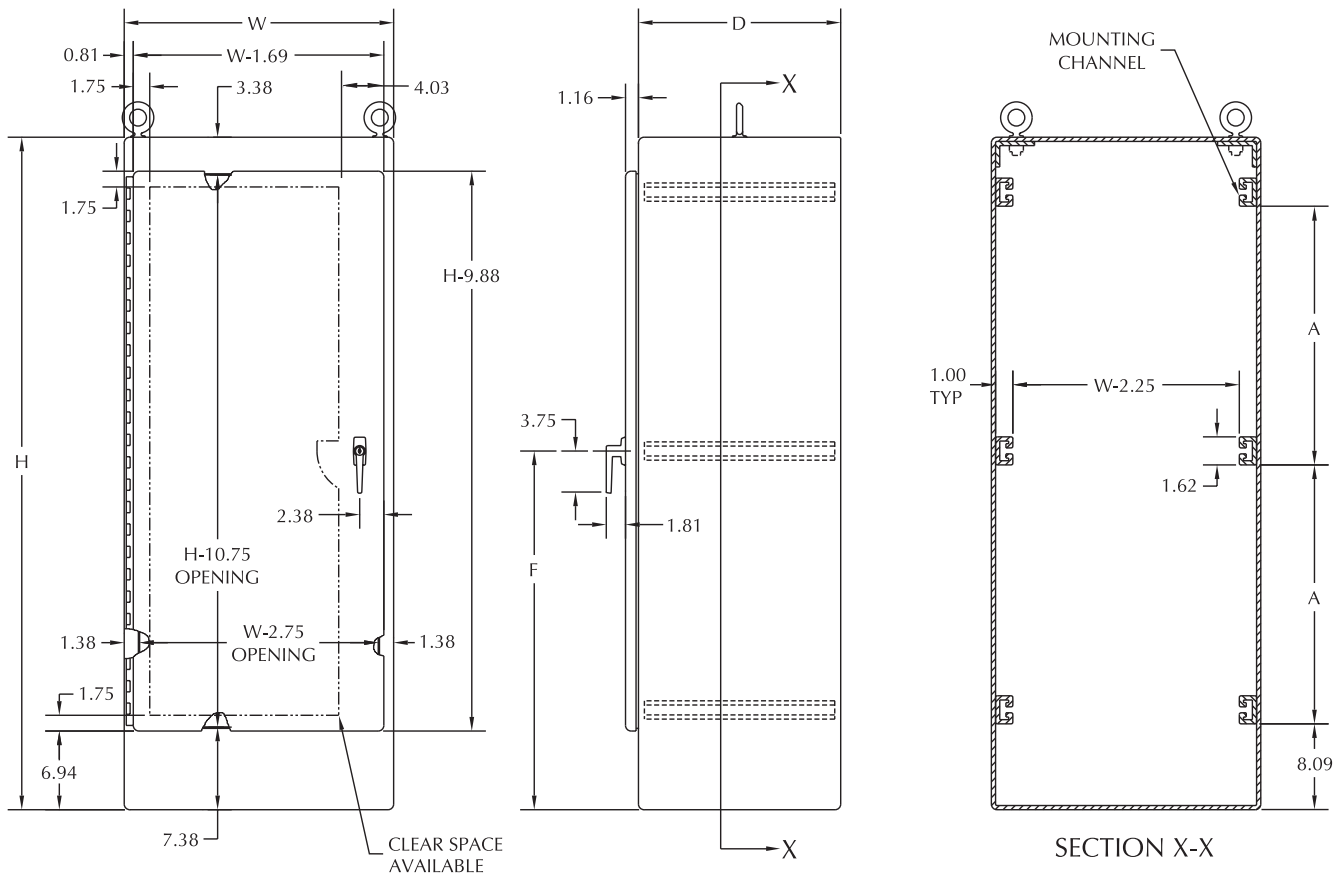
Part Number	Price	Body/Door	Enclosure Size HxWxD	A	F
WA602418FS	check	12/12	60.12x24.12x18.12 (1527x613x460)	23.13 (587)	32.06 (814)
WA603624FS	check	12/12	60.12x36.12x24.12 (1527x917x613)	23.13 (587)	32.06 (814)
WA722418FS	check	12/12	72.12x24.12x18.12 (1832x613x460)	29.13 (740)	38.06 (967)
WA722424FS	check	12/12	72.12x24.12x24.12 (1832x613x613)	29.13 (740)	38.06 (967)
WA723018FS	check	12/12	72.12x30.12x18.12 (1832x765x460)	29.13 (740)	38.06 (967)
WA723024FS	check	12/12	72.12x30.12x24.12 (1832x765x613)	29.13 (740)	38.06 (967)
WA723618FS	check	12/12	72.12x36.12x18.12 (1832x917x460)	29.13 (740)	38.06 (967)
WA723624FS	check	12/12	72.12x36.12x24.12 (1832x917x613)	29.13 (740)	38.06 (967)
WA723630FS	check	12/12	72.12x36.12x30.12 (1832x917x765)	29.13 (740)	38.06 (967)
WA723636FS	check	12/12	72.12x36.12x36.12 (1832x917x917)	29.13 (740)	38.06 (967)
WA902420FS	check	10/10	90.12x24.12x20.12 (2289x613x511)	38.13 (968)	47.06 (1195)
WA903620FS	check	10/10	90.12x36.12x20.12 (2289x917x511)	38.13 (968)	47.06 (1195)
WA903624FS	check	10/10	90.12x36.12x24.12 (2289x917x613)	38.13 (968)	47.06 (1195)
WA903636FS	check	10/10	90.12x36.12x36.12 (2289x917x917)	38.13 (968)	47.06 (1195)

Note: Subpanels must be ordered separately. Dimensions in inches (millimeters); letters in table correspond to letters on dimensional drawings.

Note: Subpanels for these enclosures are listed on page 30-114

NEMA 12 SINGLE-DOOR FREESTANDING

Dimensions



NEMA 12 Two-Door Freestanding

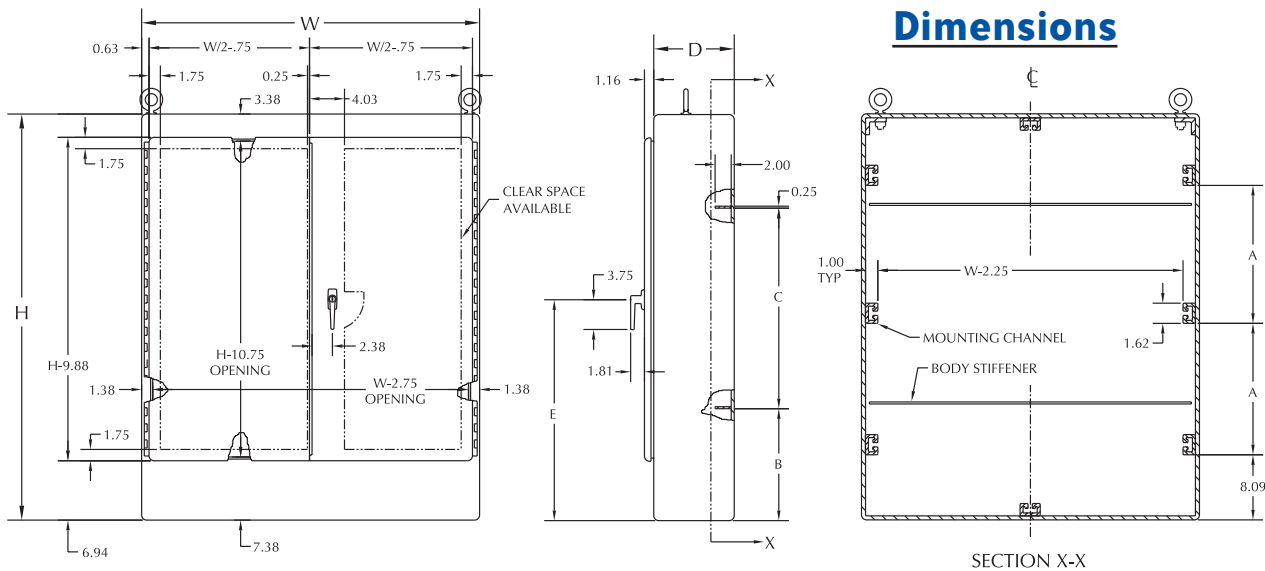


Enclosure Shipping Schedule		
Same day	1 - 7 days	1 -10 days
Color indicates shipping lead time in business days.		

Part Number	Price	Body/Door	Enclosure Size HxWxD	A	B	C	E
WA604818FSD	check	10/10	60.12x48.12x18.12 (1527x1222x460)	23.13 (587)	19.88 (505)	20.03 (509)	32.06 (814)
WA724818FSD	check	10/10	72.12x48.12x18.12 (1832x1222x460)	29.13 (740)	23.88 (607)	24.03 (610)	38.06 (967)
WA724824FSD	check	10/10	72.12x48.12x24.12 (1832x1222x613)	29.13 (740)	23.88 (607)	24.03 (610)	38.06 (967)
WA726018FSD	check	10/10	72.12x60.12x18.12 (1832x1527x460)	29.13 (740)	23.88 (607)	24.03 (610)	38.06 (967)
WA726024FSD	check	10/10	72.12x60.12x24.12 (1832x1527x613)	29.13 (740)	23.88 (607)	24.03 (610)	38.06 (967)
WA726036FSD	check	10/10	72.12x60.12x36.12 (1832x1527x917)	29.13 (740)	23.88 (607)	24.03 (610)	38.06 (967)
WA727218FSD	check	10/10	72.12x72.12x18.12 (1832x1832x460)	29.13 (740)	23.88 (607)	24.03 (610)	38.06 (967)
WA727224FSD	check	10/10	72.12x72.12x24.12 (1832x1832x613)	29.13 (740)	23.88 (607)	24.03 (610)	38.06 (967)
WA904820FSD	check	10/10	90.12x48.12x20.12 (2289x1222x511)	38.13 (968)	29.88 (759)	30.03 (763)	47.06 (1195)
WA907220FSD	check	10/10	90.12x72.12x20.12 (2289x1832x511)	38.13 (968)	29.88 (759)	30.03 (763)	47.06 (1195)
WA907224FSD	check	10/10	90.12x72.12x24.12 (2289x1832x613)	38.13 (968)	29.88 (759)	30.03 (763)	47.06 (1195)
WA907236FSD	check	10/10	90.12x72.12x36.12 (2289x1832x917)	38.13 (968)	29.88 (759)	30.03 (763)	47.06 (1195)

Note: Subpanels must be ordered separately. Dimensions in inches (millimeters); letters in table correspond to letters on dimensional drawings.

Note: Subpanels for these enclosures are listed on page 26-113



NEMA 12 SINGLE-DOOR DUAL-ACCESS FREESTANDING

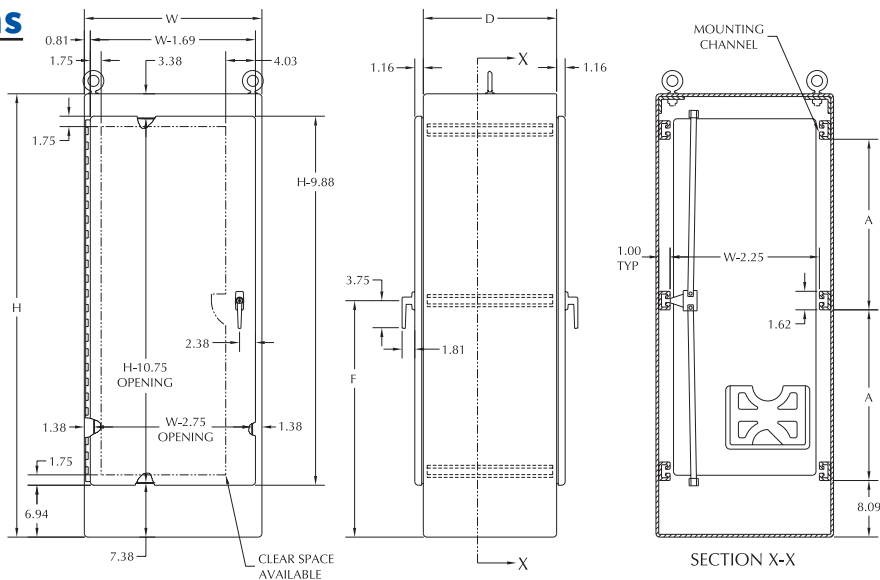
Enclosure Shipping Schedule		
Same day	1 - 7 days	1 -10 days
Color indicates shipping lead time in business days.		

Part Number	Price	Body/Door Gauge	Enclosure Size HxWxD	A	F
WA722424FSDA	check	12/12	72.12x24.12x24.25 (1832x613x616)	29.13 (740)	38.06 (967)
WA722430FSDA	check	12/12	72.12x24.12x30.25 (1832x613x768)	29.13 (740)	38.06 (967)
WA722436FSDA	check	12/12	72.12x24.12x36.25 (1832x613x921)	29.13 (740)	38.06 (967)
WA723024FSDA	check	12/12	72.12x30.12x24.25 (1832x765x616)	29.13 (740)	38.06 (967)
WA723624FSDA	check	12/12	72.12x36.12x24.25 (1832x917x616)	29.13 (740)	38.06 (967)
WA723636FSDA	check	12/12	72.12x36.12x36.25 (1832x917x921)	29.13 (740)	38.06 (967)
WA903624FSDA	check	12/10	90.12x36.12x24.25 (2289x917x616)	38.13 (968)	47.06 (1195)
WA903636FSDA	check	12/10	90.12x36.12x36.25 (2289x917x921)	38.13 (968)	47.06 (1195)

Note: Subpanels must be ordered separately. Dimensions in inches (millimeters); letters in table correspond to letters on dimensional drawings.

Note: Subpanels for these enclosures are listed on page 26-112.

Dimensions



NEMA 12 Two-Door Dual Access Freestanding

Enclosure Shipping Schedule

Same day	1 - 7 days	1 -10 days
----------	------------	------------

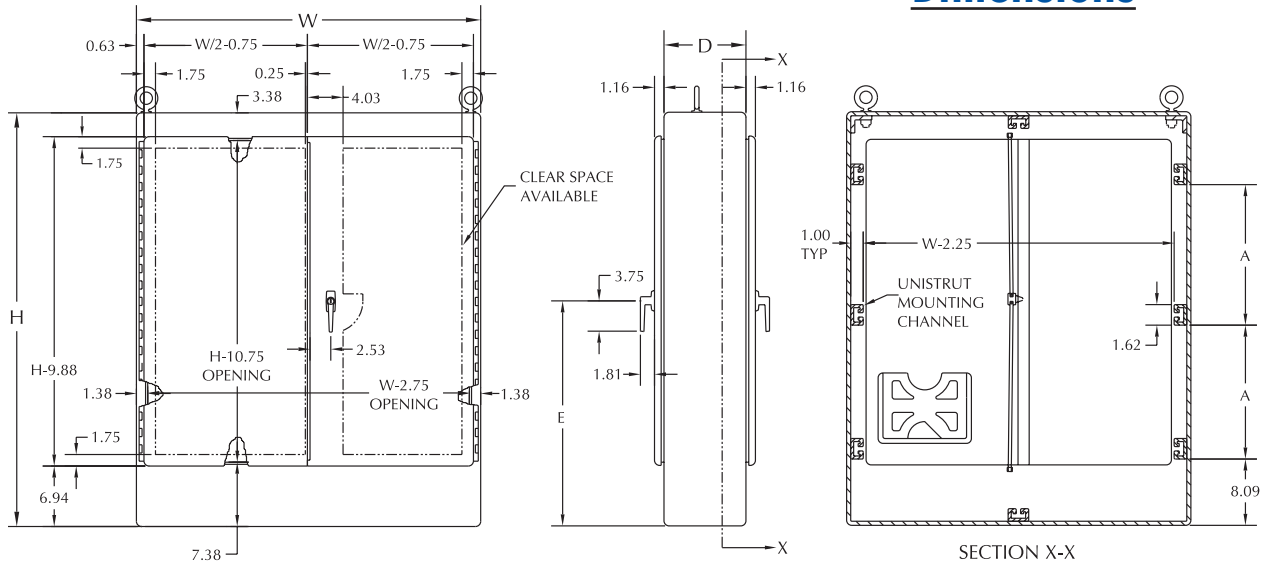
Color indicates shipping lead time in business days.

Part Number	Price	Body/Door Gauge	Enclosure Size HxWxD	A	E
WA724824FSDAD	check	12/12	72.12x48.12x24.25 (1832x1222x616)	29.13 (740)	38.06 (967)
WA726024FSDAD	check	12/12	72.12x60.12x24.25 (1832x1527x616)	29.13 (740)	38.06 (967)
WA726036FSDAD	check	12/12	72.12x60.12x36.25 (1832x1527x921)	29.13 (740)	38.06 (967)
WA727224FSDAD	check	12/12	72.12x72.12x24.25 (1832x1832x616)	29.13 (740)	38.06 (967)
WA907224FSDAD	check	10/10	90.12x72.12x24.25 (2289x1832x616)	38.13 (968)	47.06 (1195)

Note: Subpanels must be ordered separately. Dimensions in inches (millimeters); letters in table correspond to letters on dimensional drawings.

Note: Subpanels for these enclosures are listed on page 30-113.

Dimensions



ACCESSORY CENTER PANEL SUPPORTS

FOR FREESTANDING ENCLOSURES

CENTER PANEL SUPPORTS		
Part Number	Price	Description
WA60FSCPS	check	Center panel support for 60" high enclosures. Allows two single-wide sub-panels (including swing-out panels and rack mount frames) to be mounted in a two door enclosure.
WA72FSCPS	check	Center panel support for 72" high enclosures. Allows two single-wide sub-panels (including swing-out panels and rack mount frames) to be mounted in a two door enclosure.
WA90FSCPS	check	Center panel support for 90" high enclosures. Allows two single-wide sub-panels (including swing-out panels and rack mount frames) to be mounted in a two door enclosure.

Clamp Nuts		
Part Number	Price	Description
WAPS1420CN	check	Clamp nut for unistrut; 1/4" x 20 UNC
WAPS3816CN	check	Clamp nut for unistrut; 3/8" x 16 UNC

NEMA 12 MULTI-DOOR FREESTANDING



ment found in automotive, pulp and paper, wood products, textile and similar industries. Select from three, four and five-door options to best meet your application requirements.



Construction

- Bodies and doors fabricated from 10 gauge steel
- Continuously welded seams ground smooth, less holes or knockouts
- Heavy steel stiffeners are welded to enclosure backs, maintaining flatness and increasing rigidity
- Heavy duty removable lifting eyes are installed for easy handling
- Grounding provisions provided
- Print pocket and provisions for fluorescent lighting are provided
- Heavy-gauge steel continuous hinges support each door
- 3 point latching mechanism with padlocking handles hold doors securely shut
- Doors are sealed with a closed cell neoprene gasket
- Removable 10-gauge subpanels and subpanel supports are furnished
- In two-door units the uniquely gasketed, overlapping doors eliminate the need for center posts

- Mechanical interlock is standard with right hand door, serving as master door unless otherwise specified. Doors can be closed in any order

Finish

- ANSI-61 gray polyester powder inside and out over phosphatized surfaces
- Subpanels are white polyester powder over phosphatized surfaces

Listings

- UL 508 Type 12
- UL File E64791
- CSA Certified, Type 12
- CSA File LL66078
- NEMA/EEMAC Type 12

Applications

Designed to protect electrical and electronic controls, components and instruments in typical industrial environments. Enclosure rating protects enclosed equipment from dust, dirt, oil and dripping water. These enclosures are used in machine tool applications for housing motor starters, drives, contactors, and PLCs, as well as a wide variety of other electrical and electronic equip-



Enclosure Shipping Schedule		
Same day	1 - 7 days	1 -10 days
Color indicates shipping lead time in business days.		

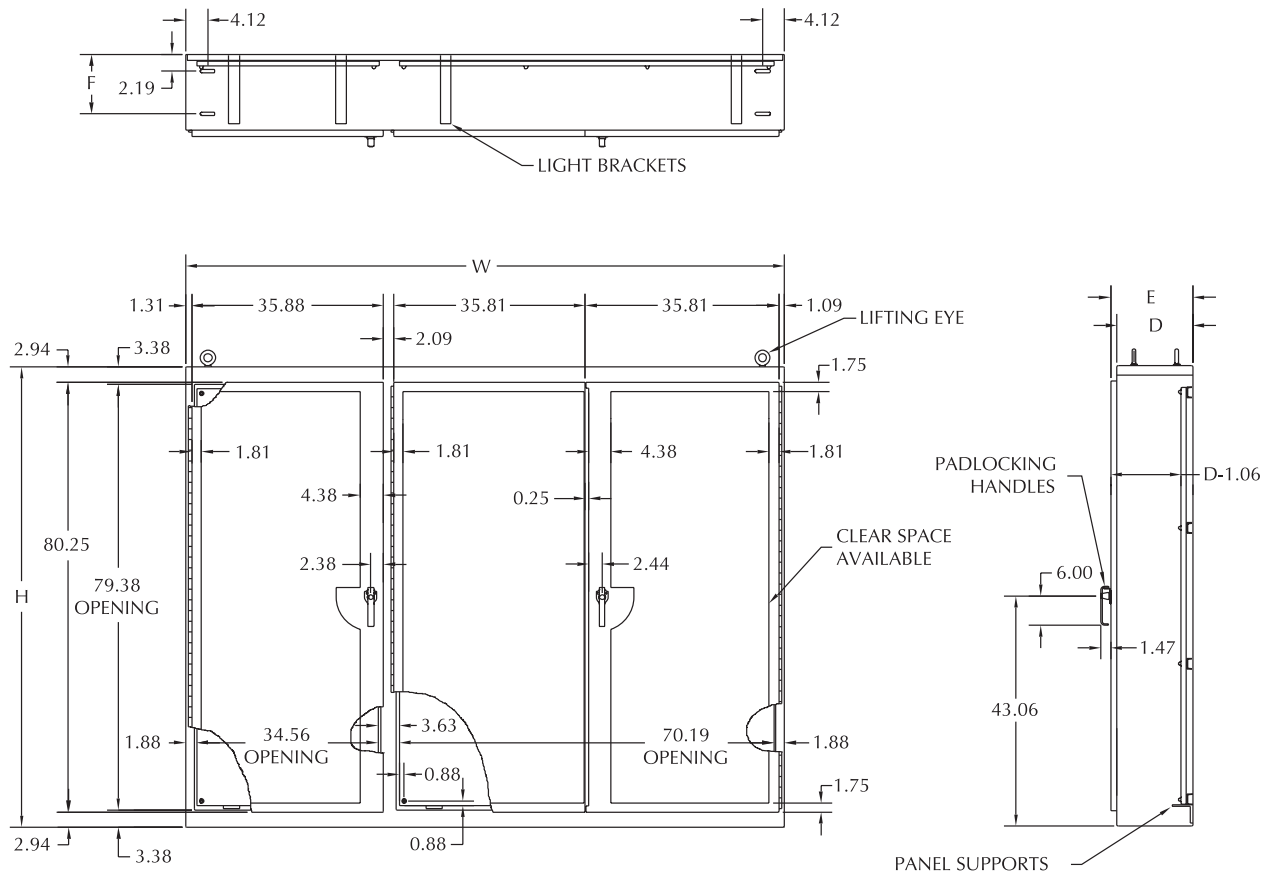
Part Number	Price	Body/Door	Number of Doors	Enclosure Size HxWxD	Subpanel Sizes AxB	E	F
WA86M3E	check	10	3	86.13x112.13x14.13 (2188x2848x359)	(1) 78x70 (1981x1778) and (1) 78x34 (1981x864)	15.38 (391)	11.94 (303)
WA86M4E	check	10	4	86.13x149.13x14.13 (2188x3788x359)	(2) 78x70 (1981x1778) and No Panel	15.38 (391)	11.94 (303)
WA86M5E	check	10	5	86.13x187.13x14.13 (2188x4753x359)	(2) 78x70 (1981x1778) and (1) 78x34 (1981x864)	15.38 (391)	11.94 (303)
WA86M3E20	check	10	3	86.13x112.13x20.13 (2188x2848x511)	(1) 78x70 (1981x1778) and (1) 78x34 (1981x864)	21.38 (543)	17.94 (456)
WA86M4E20	check	10	4	86.13x149.13x20.13 (2188x3788x511)	(2) 78x70 (1981x1778) and No Panel	21.38 (543)	17.94 (456)
WA86M5E20	check	10	5	86.13x187.13x20.13 (2188x4753x511)	(2) 78x70 (1981x1778) and (1) 78x34 (1981x864)	21.38 (543)	17.94 (456)

Note: Subpanels are furnished with enclosures. Dimensions in inches (millimeters); letters in table correspond to letters on dimensional drawings.



NEMA 12 MULTI-DOOR FREESTANDING

Dimensions



NEMA 4/12 SINGLE-DOOR WALL MOUNT



Application

Designed to house and protect electrical and electronic components from harsh, dirty environments. For use in installations where dust, dirt, oil, water or other contaminants are present. Streamlined styling, flush latching, and attractive, durable finish complement any high-tech electronic equipment.

Construction

- Fabricated from 14 gauge steel
- Plasma welded seams
- Door and body stiffeners are provided in larger enclosures for extra rigidity
- Print pocket is provided
- Closed cell polyurethane poured in place gasket
- Collar studs provided for mounting optional subpanels
- Grounding provisions provided

- Optional subpanels must be ordered separately
- Doors are interchangeable and easily removable (open to 90° to remove door)
- 1/4 turn semi-flush oil tight latches are supplied to hold door securely closed
- Mounting holes in rear of enclosure body
- Optional mounting foot kit is available (required to maintain the NEMA Types 4, 12 and 13 ratings)

Finish

- ANSI-61 gray polyester powder inside and outside over phosphatized surfaces
- Optional subpanels are white polyester powder over phosphatized surfaces

Listings

- UL 508, Types 4, 12 and 13 (UL file E64791)
- CSA Certified, Types 4, 12 and 13 (CSA file LL66078)
- Meets NEMA/EEMAC Types 4, 12 and 13 requirements
- JIC EL-1-71

Enclosure Shipping Schedule		
Same day	1 - 7 days	1 -10 days
Color indicates shipping lead time in business days.		



Part Number	Price	Box/Door Gauge	Enclosure Size HxWxD	Subpanel Part Number	Price	Subpanel Size AxB	C	E	F	Door Stiffener
N412121206	check	14/14	12x12x6 (305x305x152)	NP1212	check	9.00x9.00 (229x229)	6 (152)	-	-	No
N412161206	check	14/14	16x12x6 (406x305x152)	NP1612	check	13.00x9.00 (330x229)	8 (203)	-	-	No
N412161208	check	14/14	16x12x8 (406x305x203)	NP1612	check	13.00x9.00 (330x229)	8 (203)	-	-	No
N412161606	check	14/14	16x16x6 (406x406x152)	NP1616	check	13.00x13.00 (330x330)	8 (203)	-	-	No
N412161608	check	14/14	16x16x8 (406x406x203)	NP1616	check	13.00x13.00 (330x330)	8 (203)	-	-	No
N412162006	check	14/14	16x20x6 (406x508x152)	NP2016	check	13.00x17.00 (330x432)	8 (203)	-	-	No
N412162008	check	14/14	16x20x8 (406x508x203)	NP2016	check	13.00x17.00 (330x432)	8 (203)	-	-	No
N412201606	check	14/14	20x16x6 (508x406x152)	NP2016	check	17.00x13.00 (432x330)	10 (254)	-	-	No
N412201608	check	14/14	20x16x8 (508x406x203)	NP2016	check	17.00x13.00 (432x330)	10 (254)	-	-	No
N412202006	check	14/14	20x20x6 (508x508x152)	NP2020	check	17.00x17.00 (432x432)	10 (254)	-	-	No
N412202008	check	14/14	20x20x8 (508x508x203)	NP2020	check	17.00x17.00 (432x432)	10 (254)	-	-	No
N412202012	check	14/14	20x20x12 (508x508x305)	NP2020	check	17.00x17.00 (432x432)	10 (254)	-	-	No
N412202408	check	14/14	20x24x8 (508x610x203)	NP2420	check	17.00x21.00 (432x533)	10 (254)	-	-	No
N412241606	check	14/14	24x16x6 (610x406x152)	NP2416	check	21.00x13.00 (533x330)	12 (305)	-	-	No

Note: Subpanels must be ordered separately. Dimensions in inches (millimeters); letters in table correspond to letters on dimensional drawings.



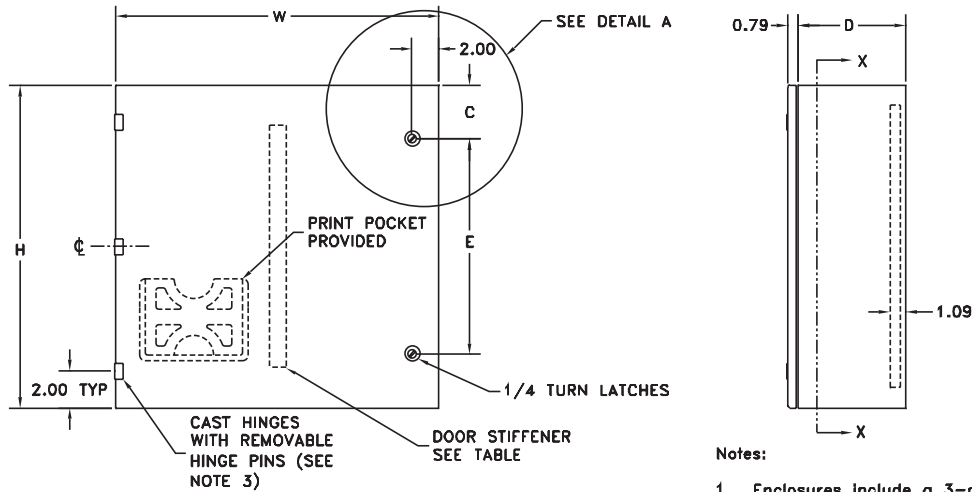
NEMA 4/12 SINGLE-DOOR WALL MOUNT

Part Number	Price	Box/Door Gauge	Enclosure Size HxWxD	Subpanel Part Number	Price	Subpanel Size AxB*	C	E	F	Door Stiffener
N412242006	check	14/14	24x20x6 (610x508x152)	NP2420	check	21.00x17.00 (533x432)	12 (305)	-	-	No
N412242008	check	14/14	24x20x8 (610x508x203)	NP2420	check	21.00x17.00 (533x432)	12 (305)	-	-	No
N412242012	check	14/14	24x20x12 (610x508x305)	NP2420	check	21.00x17.00 (533x432)	12 (305)	-	-	No
N412242406	check	14/14	24x24x6 (610x610x152)	NP2424	check	21.00x21.00 (533x533)	4 (102)	16 (406)	-	No
N412242408	check	14/14	24x24x8 (610x610x203)	NP2424	check	21.00x21.00 (533x533)	4 (102)	16 (406)	-	No
N412242412	check	14/14	24x24x12 (610x610x305)	NP2424	check	21.00x21.00 (533x533)	4 (102)	16 (406)	-	No
N412242416	check	14/14	24x24x16 (610x610x406)	NP2424	check	21.00x21.00 (533x533)	4 (102)	16 (406)	-	No
N412242420	check	14/14	24x24x20 (610x610x508)	NP2424	check	21.00x21.00 (533x533)	4 (102)	16 (406)	-	No
N412243008	check	14/14	24x30x8 (610x762x203)	NP3024	check	21.00x27.00 (533x686)	4 (102)	16 (406)	-	No
N412302008	check	14/14	30x20x8 (762x508x203)	NP3020	check	27.00x17.00 (686x432)	4 (102)	22 (559)	-	No
N412302408	check	14/14	30x24x8 (762x610x203)	NP3024	check	27.00x21.00 (686x533)	4 (102)	22 (559)	-	No
N412302412	check	14/14	30x24x12 (762x610x305)	NP3024	check	27.00x21.00 (686x533)	4 (102)	22 (559)	-	No
N412302420	check	14/14	30x24x20 (762x610x508)	NP3024	check	27.00x21.00 (686x533)	4 (102)	22 (559)	-	No
N412303008	check	14/14	30x30x8 (762x762x203)	NP3030	check	27.00x27.00 (686x686)	4 (102)	22 (559)	7 (178)	No
N412303012	check	14/14	30x30x12 (762x762x305)	NP3030	check	27.00x27.00 (686x686)	4 (102)	22 (559)	-	No
N412362408	check	14/14	36x24x8 (914x610x203)	NP3624	check	33.00x21.00 (838x533)	4 (102)	28 (711)	-	No
N412362412	check	14/14	36x24x12 (914x610x305)	NP3624	check	33.00x21.00 (838x533)	4 (102)	28 (711)	-	No
N412363008	check	14/14	36x30x8 (914x762x203)	NP3630	check	33.00x27.00 (838x686)	4 (102)	28 (711)	9 (229)	No
N412363012	check	14/14	36x30x12 (914x762x305)	NP3630	check	33.00x27.00 (838x686)	4 (102)	28 (711)	9 (229)	No
N412363016	check	14/14	36x30x16 (914x762x406)	NP3630	check	33.00x27.00 (838x686)	4 (102)	28 (711)	9 (229)	No
N412363020	check	14/14	36x30x20 (914x762x508)	NP3630	check	33.00x27.00 (838x686)	4 (102)	28 (711)	9 (229)	No
N412363608	check	14/14	36x36x8 (914x914x203)	NP3636	check	33.00x33.00 (838x838)	4 (102)	28 (711)	9 (229)	Yes
N412363612	check	14/14	36x36x12 (914x914x305)	NP3636	check	33.00x33.00 (838x838)	4 (102)	28 (711)	9 (229)	Yes
N412402412	check	14/14	40x24x12 (1016x610x305)	NP4024	check	37.00x21.00 (940x533)	20 (508)	-	9 (229)	No
N412423612	check	14/14	42x36x12 (1067x914x305)	NP4236	check	39.00x33.00 (991x838)	21 (533)	-	9.88 (251)	Yes
N412482412	check	14/14	48x24x12 (1219x610x305)	NP4824	check	45.00x21.00 (1143x533)	24 (610)	-	11.38 (289)	No
N412483612	check	14/14	48x36x12 (1219x914x305)	NP4836	check	45.00x33.00 (1143x838)	24 (610)	-	11.38 (289)	Yes
N412483616	check	14/14	48x36x16 (1219x914x406)	NP4836	check	45.00x33.00 (1143x838)	24 (610)	-	11.38 (289)	Yes
N412603612	check	14/14	60x36x12 (1524x914x305)	NP6036	check	57.00x33.00 (1448x838)	30 (762)	-	14.38 (365)	Yes

Note: Subpanels must be ordered separately. Dimensions in inches (millimeters); letters in table correspond to letters on dimensional drawings.

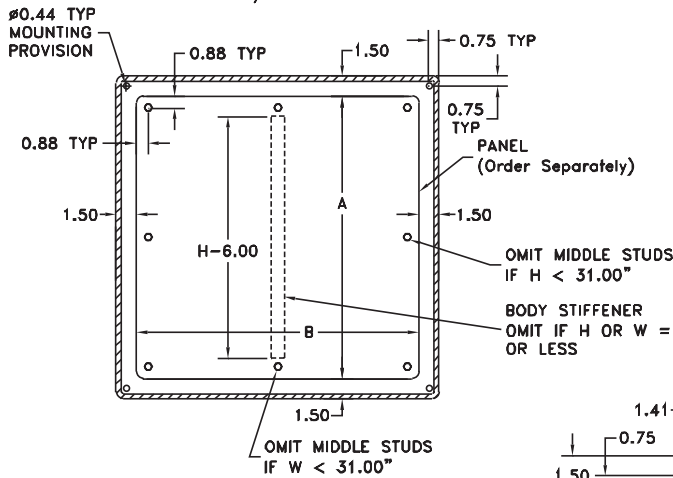
NEMA 4/12 SINGLE-DOOR WALL MOUNT

Dimensions

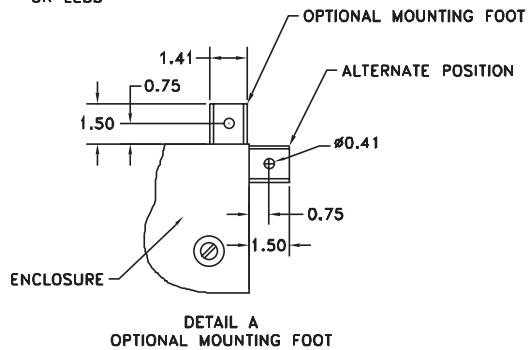


Notes:

1. Enclosures include a 3-point latch when H=40.00" or more.
2. Large Print Pocket (8X10) is furnished if H=20.00" or more and W=20.00" or more, otherwise small (6X6) print pocket is provided.
3. Two Hinges provided when H<36.00". Three Hinges provided when H=36.00" or greater. Four Hinges provided when H=48.00" or greater.



SECTION X-X



DETAIL A
OPTIONAL MOUNTING FOOT



NEMA 4/12 STAINLESS STEEL SINGLE-DOOR

WALL MOUNT



Application

The Hubbell/Wiegmann N412-SS stainless steel series, with its streamlined design, is a perfect fit for mounting electrical or high-tech electronic equipment in a variety of indoor and outdoor settings. It is typically used in the following areas where corrosion-resistant protection is needed: food processing plants, pharmaceutical manufacturing facilities, petrochemical plants, pulp and paper processing, and waste water treatment facilities.

Construction

- Fabricated from 14 gauge 304 stainless steel
- Continuously plasma welded seams
- Door and body stiffeners are provided in larger enclosures for extra rigidity
- Grounding studs are welded to door and body to assure a positive ground
- Print pocket is provided
- Doors are sealed with poured-in-place polyurethane gasket

- Collar studs for mounting optional subpanels
- Grounding provisions provided
- Optional subpanels must be ordered separately
- Doors are interchangeable and easily removable (open to 90° to remove door)
- 1/4 turn semi-flush oil tight latches are supplied to hold door securely closed
- Mounting holes in rear of enclosure
- Optional mounting foot kit is available (required to maintain the NEMA Types 4, 12 and 13 ratings)

Finish

- All exterior surfaces have a smooth grained finish
- Optional subpanels are painted white polyester powder over phosphatized surfaces

Listings

- UL 508, Types 4, 4x 12 and 13 (UL file E64791)
- CSA Certified, Types 4 and 12 (CSA file LL66078)
- Meets NEMA/EEMAC Types 4, 4x, 12 and 13 requirements
- JIC EL-1-71

Enclosure Shipping Schedule

Same day	1 - 7 days	1 - 10 days
----------	------------	-------------

Color indicates shipping lead time in business days.

Part Number	Price	Body/Door	Enclosure Size HxWxD	Subpanel P/N	Price	Subpanel Size AxB*	C	E	F	Door Stiffener
N412121206SS	check	14/14	12x12x6 (305x305x152)	NP1212	check	9.00x9.00 (229x229)	6 (152)	-	-	No
N412161206SS	check	14/14	16x12x6 (406x305x152)	NP1612	check	13.00x9.00 (330x229)	8 (203)	-	-	No
N412161208SS	check	14/14	16x12x8 (406x305x203)	NP1612	check	13.00x9.00 (330x229)	8 (203)	-	-	No
N412161606SS	check	14/14	16x16x6 (406x406x152)	NP1616	check	13.00x13.00 (330x330)	8 (203)	-	-	No
N412161608SS	check	14/14	16x16x8 (406x406x203)	NP1616	check	13.00x13.00 (330x330)	8 (203)	-	-	No
N412162008SS	check	14/14	16x20x8 (406x508x203)	NP2016	check	13.00x17.00 (330x432)	8 (203)	-	-	No
N412201606SS	check	14/14	20x16x6 (508x406x152)	NP2016	check	17.00x13.00 (432x330)	10 (254)	-	-	No
N412201608SS	check	14/14	20x16x8 (508x406x203)	NP2016	check	17.00x13.00 (432x330)	10 (254)	-	-	No
N412202006SS	check	14/14	20x20x6 (508x508x152)	NP2020	check	17.00x17.00 (432x432)	10 (254)	-	-	No
N412202008SS	check	14/14	20x20x8 (508x508x203)	NP2020	check	17.00x17.00 (432x432)	10 (254)	-	-	No
N412202012SS	check	14/14	20x20x12 (508x508x305)	NP2020	check	17.00x17.00 (432x432)	10 (254)	-	-	No

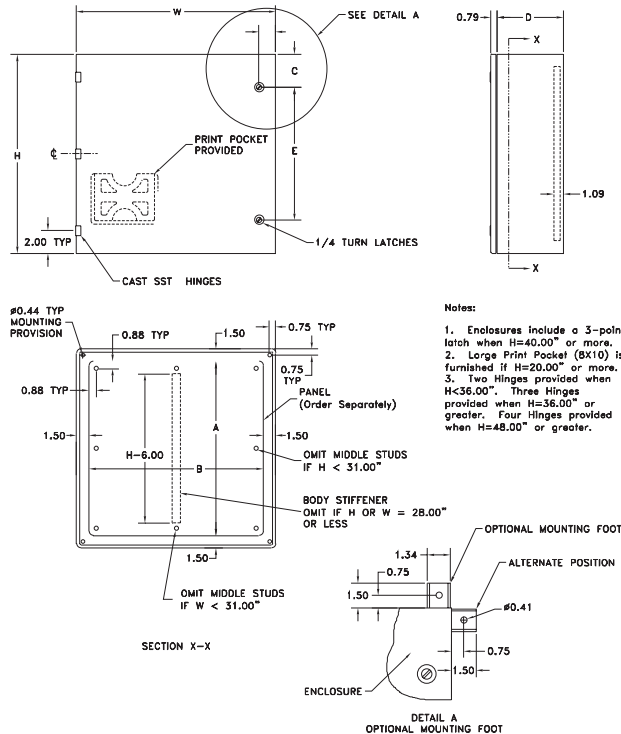
Note: Subpanels must be ordered separately. Dimensions in inches (millimeters); letters in table correspond to letters on dimensional drawings.

NEMA 4/12 S/S SINGLE-DOOR WALL MOUNT

Part Number	Price	Box Gauge	Enclosure Size HxWxD	Subpanel P/N	Price	Subpanel Size AxB	C	E	F	Door Stiffener
N412241608SS	check	14/14	24x16x8 (610x406x203)	NP2416	check	21.00x13.00 (533x330)	10 (254)	-	-	No
N412242008SS	check	14/14	24x20x8 (610x508x203)	NP2420	check	21.00x17.00 (533x432)	12 (305)	-	-	No
N412242408SS	check	14/14	24x24x8 (610x610x203)	NP2424	check	21.00x21.00 (533x533)	4 (102)	16 (406)	-	No
N412242412SS	check	14/14	24x24x12 (610x610x305)	NP2424	check	21.00x21.00 (533x533)	4 (102)	16 (406)	-	No
N412302408SS	check	14/14	30x24x8 (762x610x203)	NP3024	check	27.00x21.00 (686x533)	4 (102)	22 (559)	-	No
N412302412SS	check	14/14	30x24x12 (762x610x305)	NP3024	check	27.00x21.00 (686x533)	4 (102)	22 (559)	-	No
N412303008SS	check	14/14	30x30x8 (762x762x203)	NP3030	check	27.00x27.00 (686x686)	4 (102)	22 (559)	7 (178)	No
N412362408SS	check	14/14	36x24x8 (914x610x203)	NP3624	check	33.00x21.00 (838x533)	4 (102)	28 (711)	-	No
N412362412SS	check	14/14	36x24x12 (914x610x305)	NP3624	check	33.00x21.00 (838x533)	4 (102)	28 (711)	-	No
N412363008SS	check	14/14	36x30x8 (914x762x203)	NP3630	check	33.00x27.00 (838x686)	4 (102)	28 (711)	9 (229)	No
N412363012SS	check	14/14	36x30x12 (914x762x305)	NP3630	check	33.00x27.00 (838x686)	4 (102)	28 (711)	9 (229)	No
N412363612SS	check	14/14	36x36x12 (914x914x305)	NP3636	check	33.00x33.00 (838x838)	4 (102)	28 (711)	9 (229)	Yes
N412423612SS	check	14/14	42x36x12 (1067x914x305)	NP4236	check	39.00x33.00 (991x838)	21 (533)	-	9.88 (251)	Yes
N412483612SS	check	14/14	48x36x12 (1219x914x305)	NP4836	check	45.00x33.00 (1143x838)	24 (610)	-	11.38 (289)	Yes
N412603612SS	check	14/14	60x36x12 (1524x914x305)	NP6036	check	57.00x33.00 (1448x838)	30 (762)	-	14.38 (365)	Yes

Note: Subpanels must be ordered separately. Dimensions in inches (millimeters); letters in table correspond to letters on dimensional drawings.

Dimensions



NEMA 4 JIC LIFT-OFF COVER WALL MOUNT



Applications

Designed for use as instrument housings, electrical control enclosures, terminal wiring boxes or electrical junction boxes. Provides protection where equipment is hosed down, very wet or in outdoor applications.

Construction

- Bodies and doors fabricated from 14 gauge steel
- Continuously welded seams ground smooth, less knockouts or holes
- Closed cell oil resistant neoprene gasket
- External mounting feet, top and bottom of enclosure
- Weldnuts are provided for mounting optional subpanels securely on models 6"x4" and larger
- Stainless steel screws and clamps on four sides of cover to assure water tight seal
- Optional subpanels and terminal kits must be ordered separately
- Grounding provisions provided

Finish

- ANSI-61 gray polyester powder inside and out over phosphatized surfaces
- Optional subpanels are white polyester powder over phosphatized surfaces

Listings

- UL 50, Types 4, 12 & 13 (6x6x4 and above)
UL 508, Types 4, 12 & 13 (6x4x3 and smaller)
- UL Files E23553, E64791
- CSA Certified, Types 4 & 12
- CSA File LL66078
- NEMA/EEMAC Types 4, 12 & 13
- JIC EL-1-71

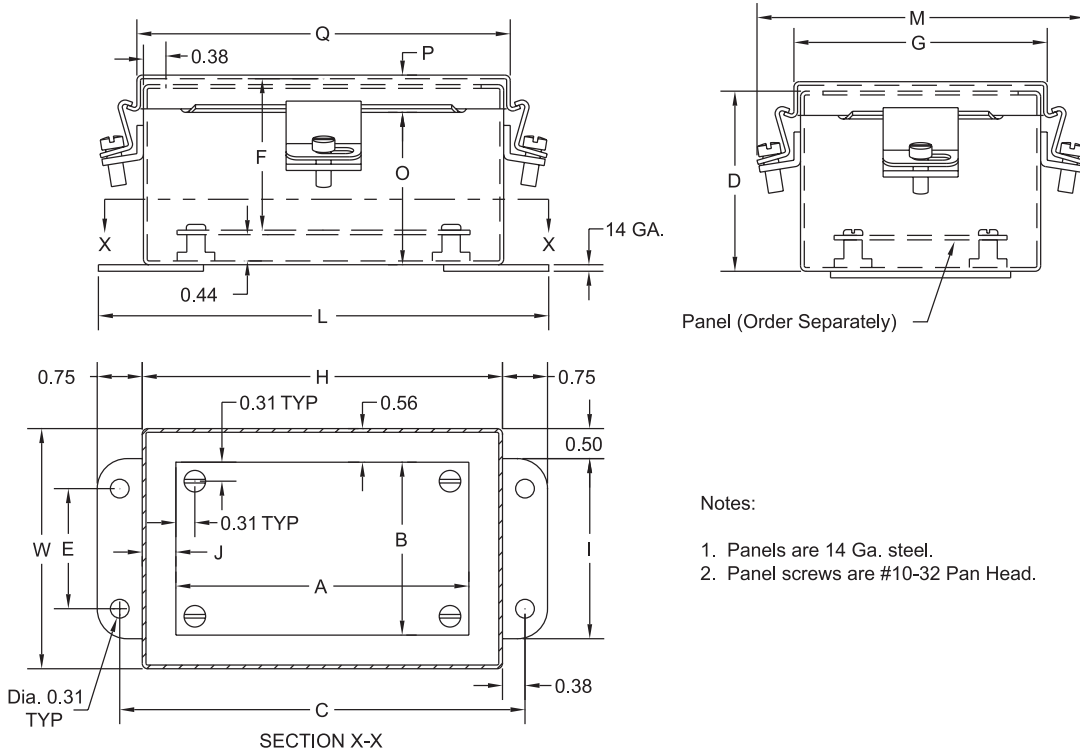
Enclosure Shipping Schedule		
Same day	1 - 7 days	1 - 10 days
Color indicates shipping lead time in business days.		

Part Number	Price	Body/Door	Enclosure Size HxWxD	Subpanel P/N	Price	Subpanel Size AxB	Mtg CxÉ	Overall LxM	F	G	I	J	K	N	O	P	Q
BN4040403	check	14/14	4x4x3 (102x102x76)	NA	NA	NA	4.75x2 (121x51)	5.50x5.63 (140x143)	2.53 (64)	4.31 (109)	3 (76)	NA	1.38 (35)	1.38 (35)	2.53 (64)	0.63 (16)	4.31 (110)
BN4060403	check	14/14	6x4x3 (152x102x76)	P0604	check	4.88x2.88 (124x73)	6.75x2 (171x51)	7.50x5.63 (191x143)	2.53 (64)	4.31 (109)	3 (76)	0.56 (14)	1.38 (35)	2.38 (60)	2.53 (64)	0.63 (16)	6.31 (160)
BN4060604	check	14/14	6x6x4 (152x152x102)	P0606	check	4.88x4.88 (124x124)	6.75x4 (171x102)	7.50x7.63 (191x194)	3.53 (90)	6.31 (160)	5 (127)	0.56 (14)	2.38 (60)	2.38 (60)	3.53 (90)	0.63 (16)	6.31 (160)
BN4080603	check	14/14	8x6x3.50 (203x152x89)	P0806	check	6.88x4.88 (175x124)	8.75x4 (222x102)	9.50x7.63 (241x194)	3.03 (77)	6.31 (160)	5 (127)	0.56 (14)	2.38 (60)	3.38 (86)	3.03 (77)	0.63 (16)	8.31 (211)
BN4100804	check	14/14	10x8x4 (254x203x102)	P1008	check	8.88x6.88 (226x175)	10.75x6 (273x152)	11.50x9.63 (292x244)	3.53 (90)	8.31 (211)	7 (178)	0.56 (14)	3.38 (86)	1.50 (38)	3.53 (90)	0.63 (16)	10.31 (262)
BN4121005	check	14/14	12x10x5 (305x254x127)	P1210	check	10.88x8.88 (276x226)	12.75x8 (324x203)	13.50x11.63 (292x295)	4.53 (115)	10.31 (262)	9 (229)	0.56 (14)	2 (51)	3 (76)	4.53 (115)	0.63 (16)	12.31 (313)
BN4141206	check	14/14	14x12x6 (356x305x152)	P1412	check	12.88x10.88 (327x276)	14.75x10 (375x254)	15.50x13.63 (394x346)	5.53 (141)	12.31 (313)	11 (279)	0.56 (14)	2 (51)	3 (76)	5.53 (141)	0.63 (16)	14.31 (364)
BN4161406	check	14/14	16x14x6 (406x356x152)	P1614	check	14.88x12.88 (378x327)	16.75x12 (425x305)	17.50x15.63 (445x397)	5.53 (141)	14.31 (363)	13 (330)	0.56 (14)	3.50 (89)	1.50 (38)	5.53 (141)	0.63 (16)	16.31 (414)

Note: Subpanels must be ordered separately. Dimensions in inches (millimeters); letters in table correspond to letters on dimensional drawings.

NEMA 4 JIC LIFT-OFF COVER WALL MOUNT

Dimensions

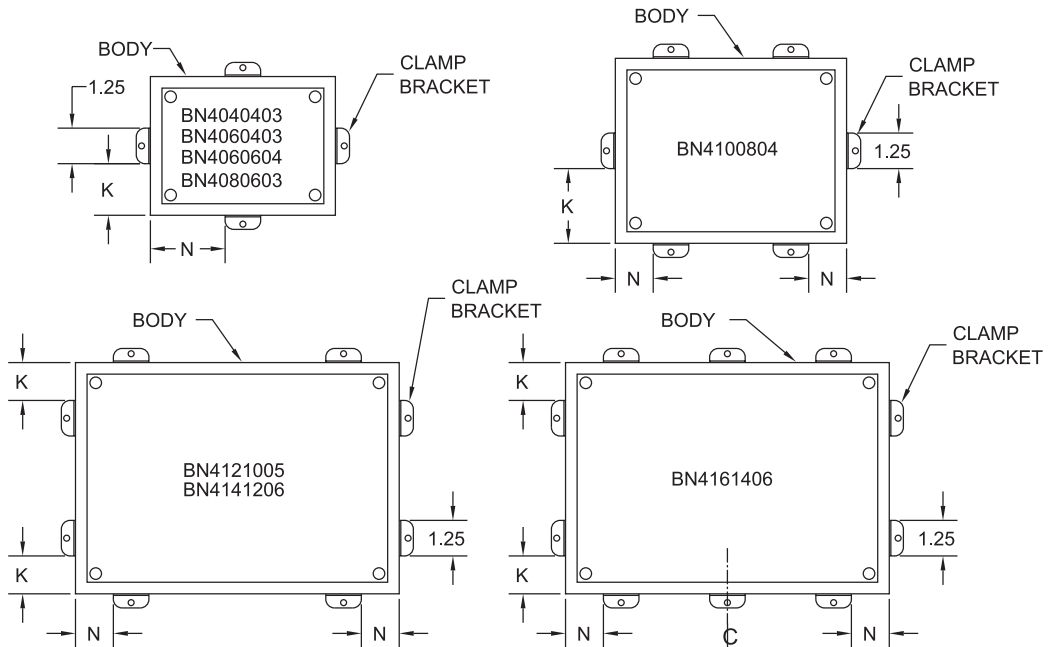


Panel (Order Separately)

Notes:

1. Panels are 14 Ga. steel.
2. Panel screws are #10-32 Pan Head.

CLAMP BRACKET LOCATIONS



NEMA 4 JIC CONTINUOUS-HINGE WALL MOUNT



Application

Designed for use as instrument housings, electrical control enclosures, terminal wiring boxes or electrical junction boxes. Provides protection in areas that are hosed down, very wet, or in outdoor applications.

Construction

- Fabricated from 14 gauge carbon steel
- Continuously welded seams ground smooth, no holes or knockouts
- Closed cell oil-resistant neoprene gasket
- External mounting feet, top and bottom
- Weldnuts are provided on models 6 x 4 and larger to secure optional subpanel
- Continuous-hinge cover is secured on three sides with stainless steel screws and clamps to ensure a watertight seal

- Cover removable by pulling stainless steel hinge pin
- Grounding provisions provided
- Optional subpanels and terminal kits must be ordered separately

Finish

- ANSI-61 gray polyester powder inside and out over phosphatized surfaces
- Optional subpanels are white polyester powder over phosphatized surfaces

Listings

- UL 50, Types 4, 12 and 13
- UL file E6924
- CSA Certified, Types 4 and 12
- CSA file LL66078
- Meets NEMA/EEMAC Types 4, 12 and 13 requirements
- JIC EL-1-71

Enclosure Shipping Schedule		
Same day	1 - 7 days	1 - 10 days

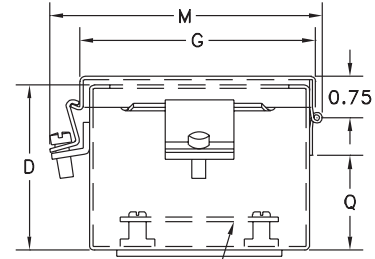
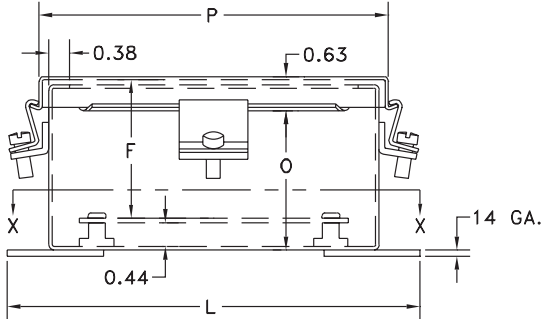
Color indicates shipping lead time in business days.

Part Number	Price	Body/Door	Enclosure Size HxWxD	Subpanel P/N	Price	Subpanel Size AxB	Mtg Cx E	Overall LxM	F	G	I	J	K	N	O	P	Q
BN4040403CH	check	14/14	4x4x3 (102x102x76)	NA	NA	NA	4.75x2 (121x51)	5.50x5 (140x127)	2.53 (64)	4.31 (109)	3 (76)	NA	1.38 (35)	1.38 (35)	2.53 (64)	4.31 (110)	1.78 (45)
BN4060403CH	check	14/14	6x4x3 (152x102x76)	P0604	check	4.88x2.88 (124x73)	6.75x2 (171x51)	7.50x5 (191x127)	2.53 (64)	4.31 (109)	3 (76)	0.56 (14)	1.38 (35)	2.38 (60)	2.53 (64)	6.31 (160)	1.78 (45)
BN4060604CH	check	14/14	6x6x4 (152x152x102)	P0606	check	4.88x4.88 (124x124)	6.75x4 (171x102)	7.50x7 (191x178)	3.53 (90)	6.31 (160)	5 (127)	0.56 (14)	2.38 (60)	2.38 (60)	3.53 (90)	6.31 (160)	2.78 (71)
BN4080603CH	check	14/14	8x6x3.50 (203x152x89)	P0806	check	6.88x4.88 (175x124)	8.75x4 (222x102)	9.50x7 (241x178)	3.03 (77)	6.31 (160)	5 (127)	0.56 (14)	2.38 (60)	3.38 (86)	3.03 (77)	8.31 (211)	2.28 (58)
BN4100804CH	check	14/14	10x8x4 (254x203x102)	P1008	check	8.88x6.88 (226x175)	10.75x6 (273x152)	11.50x9 (292x229)	3.53 (90)	8.31 (211)	7 (178)	0.56 (14)	3.38 (86)	1.50 (38)	3.53 (90)	10.31 (262)	2.78 (71)
BN4100806CH	check	14/14	10x8x6 (254x203x152)	P1008	check	8.88x6.88 (226x175)	10.75x6 (273x152)	11.50x9 (292x229)	5.53 (141)	8.31 (211)	7 (178)	0.56 (14)	3.38 (86)	1.50 (38)	5.53 (141)	10.31 (262)	4.78 (121)
BN4121005CH	check	14/14	12x10x5 (305x254x127)	P1210	check	10.88x8.88 (276x226)	12.75x8 (324x203)	13.50x11 (343x279)	4.53 (115)	10.31 (262)	9 (229)	0.56 (14)	2 (51)	3 (76)	4.53 (115)	12.31 (313)	3.78 (96)
BN4121206CH	check	14/14	12x12x6 (305x305x152)	P1212	check	10.88x10.88 (276x276)	12.75x10 (324x254)	13.50x13 (343x330)	5.53 (141)	12.31 (313)	11 (279)	0.56 (14)	2.50 (64)	2.50 (64)	5.53 (141)	12.31 (313)	4.78 (121)
BN4141206CH	check	14/14	14x12x6 (356x305x152)	P1412	check	12.88x10.88 (327x276)	14.75x10 (375x254)	15.50x13 (394x330)	5.53 (141)	12.31 (313)	11 (279)	0.56 (14)	2 (51)	3 (76)	5.53 (141)	14.31 (364)	4.78 (121)
BN4161406CH	check	14/14	16x14x6 (406x356x152)	P1614	check	14.88x12.88 (378x327)	16.75x12 (425x305)	17.50x15 (445x381)	5.53 (141)	14.31 (363)	13 (330)	0.56 (14)	3.50 (89)	1.50 (38)	5.53 (141)	16.31 (414)	4.78 (121)

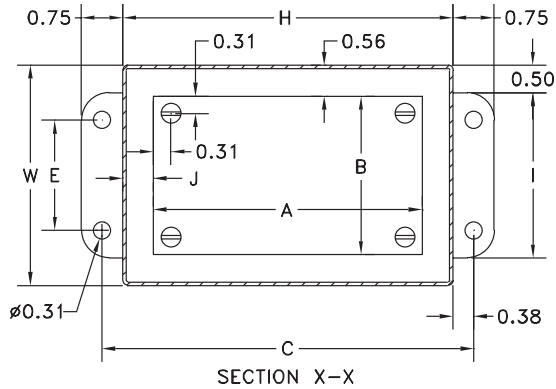
Note: Subpanels must be ordered separately. Dimensions in inches (millimeters); letters in table correspond to letters on dimensional drawings.

NEMA 4 JIC CONTINUOUS-HINGE WALL MOUNT

Dimensions



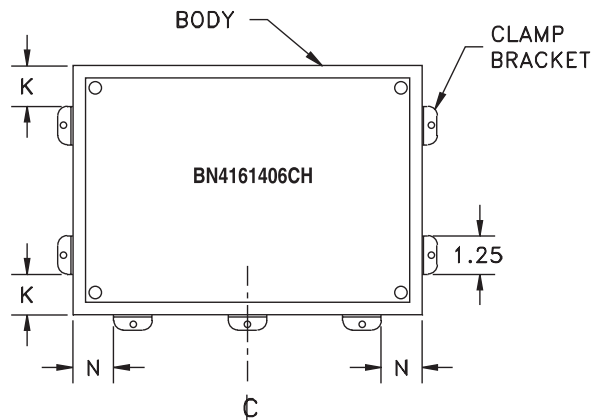
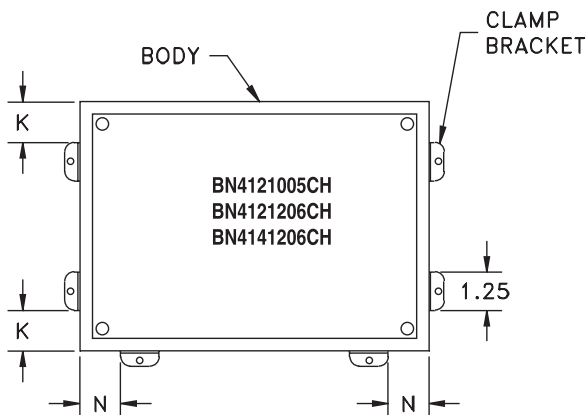
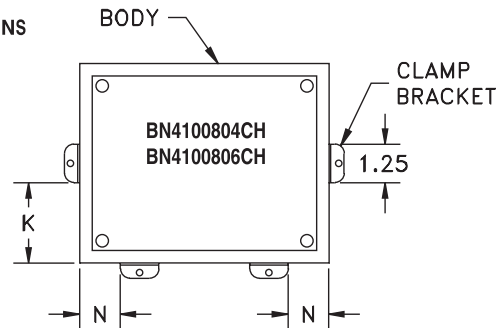
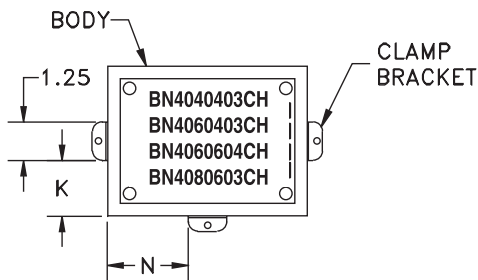
Subpanels (order separately)



Notes:

1. Subpanels are 14 gauge steel.
2. Subpanel screws are #10-32 pan head.

CLAMP BRACKET LOCATIONS



ENCLOSURES

NEMA 4 SINGLE-DOOR WALL MOUNT



Application

Intended for use in housing electrical controls, instruments, components, and associated wiring, these enclosures incorporate hinged doors which provide convenient access. Designed for indoor or outdoor use in protecting components from dust, dirt, oil, and hose-directed water.

Construction

- Fabricated from 14 gauge steel
- Continuously plasma welded seams
- Door and body stiffeners are provided in larger enclosures for extra rigidity
- Rolled lip on three sides of door and all sides of enclosure opening is provided to exclude liquids and contaminants
- Quick and easy-to-operate stainless steel door clamps are provided
- Doors removable by pulling stainless steel continuous hinge pin
- Hasp and staple for padlocking

- Print pocket is provided
- Poured in place polyurethane gasket
- Collar studs provided for mounting optional subpanels
- External mounting feet for mounting enclosure
- Grounding provisions provided
- Optional subpanels must be ordered separately

Finish

- ANSI-61 gray polyester powder inside and out over phosphatized surfaces
- Optional subpanels are white polyester powder over phosphatized surfaces

Listings

- UL 508, Types 4, 12 and 13 (UL file E64791)
- CSA Certified, Types 4, 12 and 13 (CSA file LL66078)
- NEMA/EEMAC Types 4, 12 and 13
- JIC EL-1-71

Enclosure Shipping Schedule

Same day	1 - 7 days	1 -10 days
----------	------------	------------

Color indicates shipping lead time in business days.

Part Number	Price	Body/Door	Enclosure Size HxWxD	Subpanel Part Number	Price	Subpanel Size AxB	C	E	Stiffener
N4161206	check	14/14	16x12x6 (406x305x152)	NP1612	check	13x9 (330x229)	-	0	door: no body: no
N4161208	check	14/14	16x12x8 (406x305x203)	NP1612	check	13x9 (330x229)	-	0	door: no body: no
N4161606	check	14/14	16x16x6 (406x406x152)	NP1616	check	13x13 (330x330)	-	0	door: no body: no
N4162006	check	14/14	16x20x6 (406x508x152)	NP2016	check	13x17 (330x432)	-	0	door: no body: no
N4201606	check	14/14	20x16x6 (508x406x152)	NP2016	check	17x13 (432x330)	-	0	door: no body: no
N4201608	check	14/14	20x16x8 (508x406x203)	NP2016	check	17x13 (432x330)	-	0	door: no body: no
N4201610	check	14/14	20x16x10 (508x406x254)	NP2016	check	17x13 (432x330)	-	0	door: no body: no
N4202006	check	14/14	20x20x6 (508x508x152)	NP2020	check	17x17 (432x432)	-	0	door: no body: no
N4202008	check	14/14	20x20x8 (508x508x203)	NP2020	check	17x17 (432x432)	-	0	door: no body: no
N4202408	check	14/14	20x24x8 (508x610x203)	NP2420	check	21x17 (533x432)	-	0	door: no body: no
N4241206	check	14/14	24x12x6 (610x305x152)	NP1224	check	21x9 (533x229)	-	4.313 (110)	door: no body: no
N4241606	check	14/14	24x16x6 (610x406x152)	NP2416	check	21x13 (533x330)	-	4.313 (110)	door: no body: no
N4242006	check	14/14	24x20x6 (610x508x152)	NP2420	check	21x17 (533x432)	-	4.313 (110)	door: no body: no
N4242008	check	14/14	24x20x8 (610x508x203)	NP2420	check	21x17 (533x432)	-	4.313 (110)	door: no body: no
N4242010	check	14/14	24x20x10 (610x508x254)	NP2420	check	21x17 (533x432)	-	4.313 (110)	door: no body: no

Note: Subpanels must be ordered separately. Dimensions in inches (millimeters); letters in table correspond to letters on dimensional drawings.

NEMA 4 SINGLE-DOOR WALL MOUNT

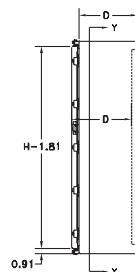
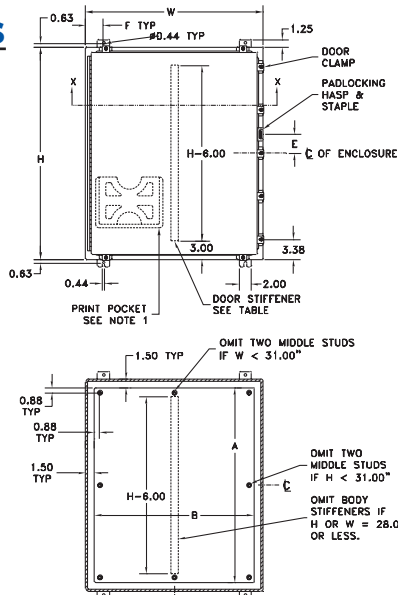
Enclosure Shipping Schedule		
Same day	1 - 7 days	1 - 10 days

Color indicates shipping lead time in business days.

Part Number	Price	Body/Door	Enclosure Size HxWxD	Subpanel Part Number	Price	Subpanel Size AxB	C	E	Stiffener
N4242406	check	14/14	24x24x6 (610x610x152)	NP2424	check	21x21 (533x533)	-	4.313 (110)	door: no body: no
N4242408	check	14/14	24x24x8 (610x610x203)	NP2424	check	21x21 (533x533)	-	4.313 (110)	door: no body: no
N4243008	check	14/14	24x30x8 (610x762x203)	NP3024	check	27x21 (686x533)	-	4.313 (110)	door: no body: no
N4302006	check	14/14	30x20x6 (762x508x152)	NP3020	check	27x17 (686x432)	-	5.813 (148)	door: no body: no
N4302008	check	14/14	30x20x8 (762x508x203)	NP3020	check	27x17 (686x432)	-	5.813 (148)	door: no body: no
N4302406	check	14/14	30x24x6 (762x510x152)	NP3024	check	27x21 (686x533)	-	5.813 (148)	door: no body: no
N4302408	check	14/14	30x24x8 (762x510x203)	NP3024	check	27x21 (686x533)	-	5.813 (148)	door: no body: no
N4302410	check	14/14	30x24x10 (762x610x254)	NP3024	check	27x21 (686x533)	-	5.813 (148)	door: no body: no
N4302412	check	14/14	30x24x12 (762x610x305)	NP3024	check	27x21 (686x533)	-	5.813 (148)	door: no body: no
N4303008	check	14/14	30x30x8 (762x762x203)	NP3030	check	27x27 (686x686)	7 (178)	5.813 (148)	door: no body: yes
N4362406	check	14/14	36x24x6 (914x610x152)	NP3624	check	33x21 (838x533)	-	7.313 (186)	door: no body: no
N4362408	check	14/14	36x24x8 (914x610x203)	NP3624	check	33x21 (838x533)	-	7.313 (186)	door: no body: no
N4363008	check	14/14	36x30x8 (914x762x203)	NP3630	check	33x27 (838x686)	9 (229)	7.313 (186)	door: no body: yes
N4363010	check	14/14	36x30x10 (914x762x254)	NP3630	check	33x27 (838x686)	9 (229)	7.313 (186)	door: no body: yes
N4363012	check	14/14	36x30x12 (914x762x305)	NP3630	check	33x27 (838x686)	9 (229)	7.313 (186)	door: no body: yes
N4363016**	check	14/14	36x30x16 (914x762x406)	NP3630	check	33x27 (838x686)	9 (229)	7.313 (186)	door: no body: yes
N4423008	check	14/14	42x30x8 (1067x762x203)	NP4230	check	39x27 (991x686)	9.88 (251)	0	door: no body: yes
N4423608	check	14/14	42x36x8 (1067x914x203)	NP4236	check	39x33 (991x838)	9.88 (251)	0	door: yes body: yes
N4483010	check	14/14	48x30x10 (1219x762x254)	NP4830	check	45x27 (1143x686)	13.00 (330)	0	door: yes body: yes
N4483608**	check	14/14	48x36x8 (1219x914x203)	NP4836	check	45x33 (1143x838)	11.38 (289)	0	door: yes body: yes
N4483610	check	14/14	48x36x10 (1219x914x254)	NP4836	check	45x33 (1143x838)	11.38 (289)	0	door: yes body: yes
N4483612**	check	14/14	48x36x12 (1219x914x305)	NP4836	check	45x33 (1143x838)	11.38 (289)	0	door: yes body: yes
N4483616**	check	14/14	48x36x16 (1219x914x406)	NP4836	check	45x33 (1143x838)	11.38 (289)	0	door: yes body: yes
N4603608**	check	14/14	60x36x8 (1524x914x203)	NP6036	check	57x33 (1448x838)	14.38 (365)	6.656 (169)	door: yes body: yes
N4603610	check	14/14	60x36x10 (1524x914x254)	NP6036	check	57x33 (1448x838)	14.38 (365)	6.656 (169)	door: yes body: yes
N4603616**	check	14/14	60x36x16 (1524x914x406)	NP6036	check	57x33 (1448x838)	14.38 (365)	6.656 (169)	door: yes body: yes

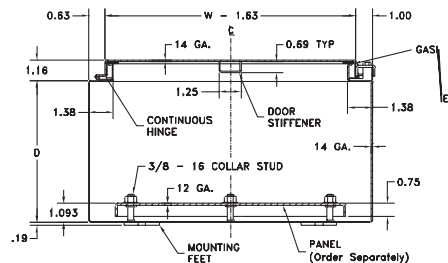
Notes: Subpanels must be ordered separately. Dimensions in inches (millimeters); letters in table correspond to letters on dimensional drawings. **Supplied with closed cell neoprene gasket (not poured in place gasket).

Dimensions



NOTES:

1. Large print pocket (8X10) is furnished if H = 20.00" or more and W = 20.00" or more. Otherwise small (6X6) print pocket is provided.
2. Panels are made from 12 Ga. steel.
3. Panels have flanges along all sides when either dimension exceeds 17".
4. The number of door clamps is dependent on size of enclosure. Clamps are furnished along three sides of door.
5. F = 3" when W is 16" or greater and 1-1/4" when W is 12" or less.



NEMA 4 Two-Door Floor Mount



Applications

Designed to house electrical and electronic controls, components and instruments in wet, non-corrosive environments. Typical applications for these enclosures include dairies, breweries and other food processing activities that may require hose down. Enclosures are also suitable for outdoor applications.

Construction

- Bodies, doors and floor stand feet are fabricated from 10 gauge steel
- Continuously welded seams ground smooth, less knockouts or holes
- Closed cell neoprene gasket
- X-type body stiffeners are added for extra strength
- Collar studs for mounting optional panels
- Rolled lip around three sides of door and along top of enclosures opening excludes liquids and contaminants from entering
- Quick and easy-to-operate stainless steel door clamps around three sides
- Heavy gauge continuous hinges
- Doors are removable by pulling stainless steel continuous hinge pin

- Hasp and staple are provided for padlocking
- Standard 12" high floor kits are welded to bottom of enclosure
- Easily removable center post permits easy panel installations
- Print pocket is provided
- Heavy duty removable lifting eyes
- Grounding provisions provided
- Doors are sealed with closed cell neoprene gasket

Finish

- ANSI-61 gray polyester powder inside and out over phosphatized surfaces
- Optional subpanels are white polyester powder over phosphatized surfaces

Listings

- UL 508, Types 3, 4 & 12
- UL File E64791
- CSA Certified, Types 3,4 & 12
- CSA File LL66078
- NEMA/EEMAC Types 3,4 & 12



Enclosure Shipping Schedule

Same day	1 - 7 days	1 -10 days
----------	------------	------------

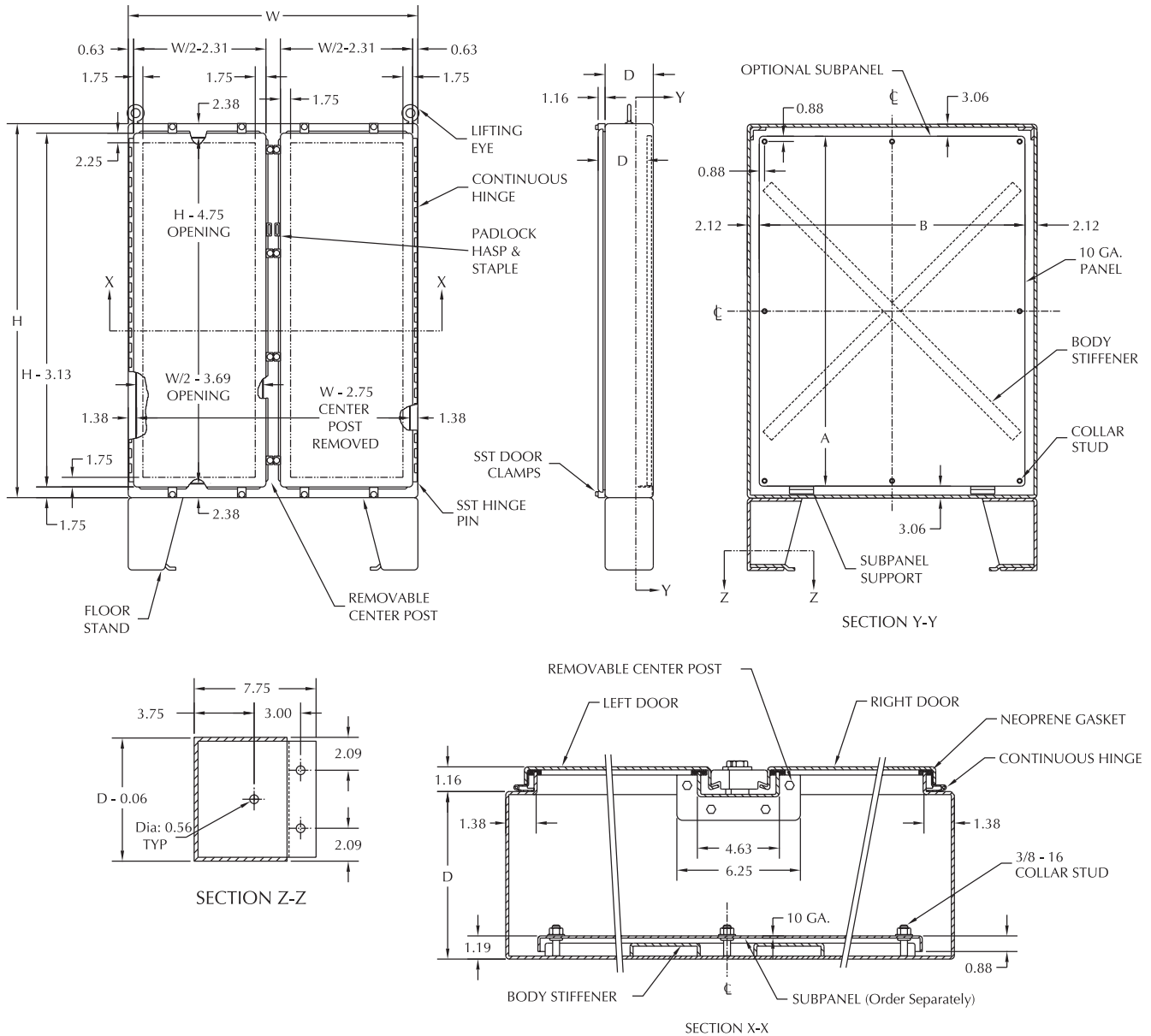
Color indicates shipping lead time in business days.

Part Number	Price	Body/Door	Enclosure Size HxWxD	Subpanel Part Number	Price	Subpanel Size AxB
N4D624810	check	10/10	62.12x48.12x10.12 (1578x1222x257)	NPDD6048	check	56x44 (1422x1118)
N4D626012	check	10/10	62.12x60.12x12.12 (1578x1527x308)	NPDD6060	check	56X56 (1422X1422)
N4D746012	check	10/10	74.12x60.12x12.12 (1883x1527x308)	NPDD7260	check	68X56 (1727X1422)
N4D747212	check	10/10	74.12x72.12x12.12 (1883x1832x308)	NPDD7272	check	68X68 (1727X1727)
N4D747224	check	10/10	74.12x72.12x24.12 (1883x1832x613)	NPDD7272	check	68X68 (1727X1727)

Note: Subpanels must be ordered separately. Dimensions in inches (millimeters); letters in table correspond to letters on dimensional drawings.

NEMA 4 Two-Door Floor Mount

Dimensions



ENCLOSURES

NEMA 4 SINGLE-DOOR FREESTANDING



Applications

Designed to house electrical and electronic controls, terminals and instruments in areas that are regularly hosed down or are otherwise very wet. Also suitable for outdoor applications.

Construction

- Bodies and doors fabricated from 12 gauge steel
- Continuously welded seams ground smooth, less knockouts or holes
- Closed cell oil resistant neoprene gasket
- “Uni-strut” mounting channels are welded horizontally to interior body sides, top, bottom and center
- Optional swing, half, full and rack panels can be mounted anywhere along “uni-strut” channel
- Rolled lip around three sides of door and along top of enclosures opening excludes liquids and contaminants from entering
- Quick and easy-to-operate stainless steel door clamps around three sides of doors
- Heavy-gauge continuous hinge with stainless steel hinge pin



- Doors are removable by pulling stainless steel continuous hinge pin
- Hasp and staple are provided for padlocking
- Print pocket is provided
- Heavy duty removable lifting eyes
- Grounding provisions provided
- Doors are sealed with closed cell neoprene gasket

Finish

- ANSI-61 gray polyester powder inside and out over phosphatized surfaces
- Optional subpanels are white polyester powder over phosphatized surfaces

Listings

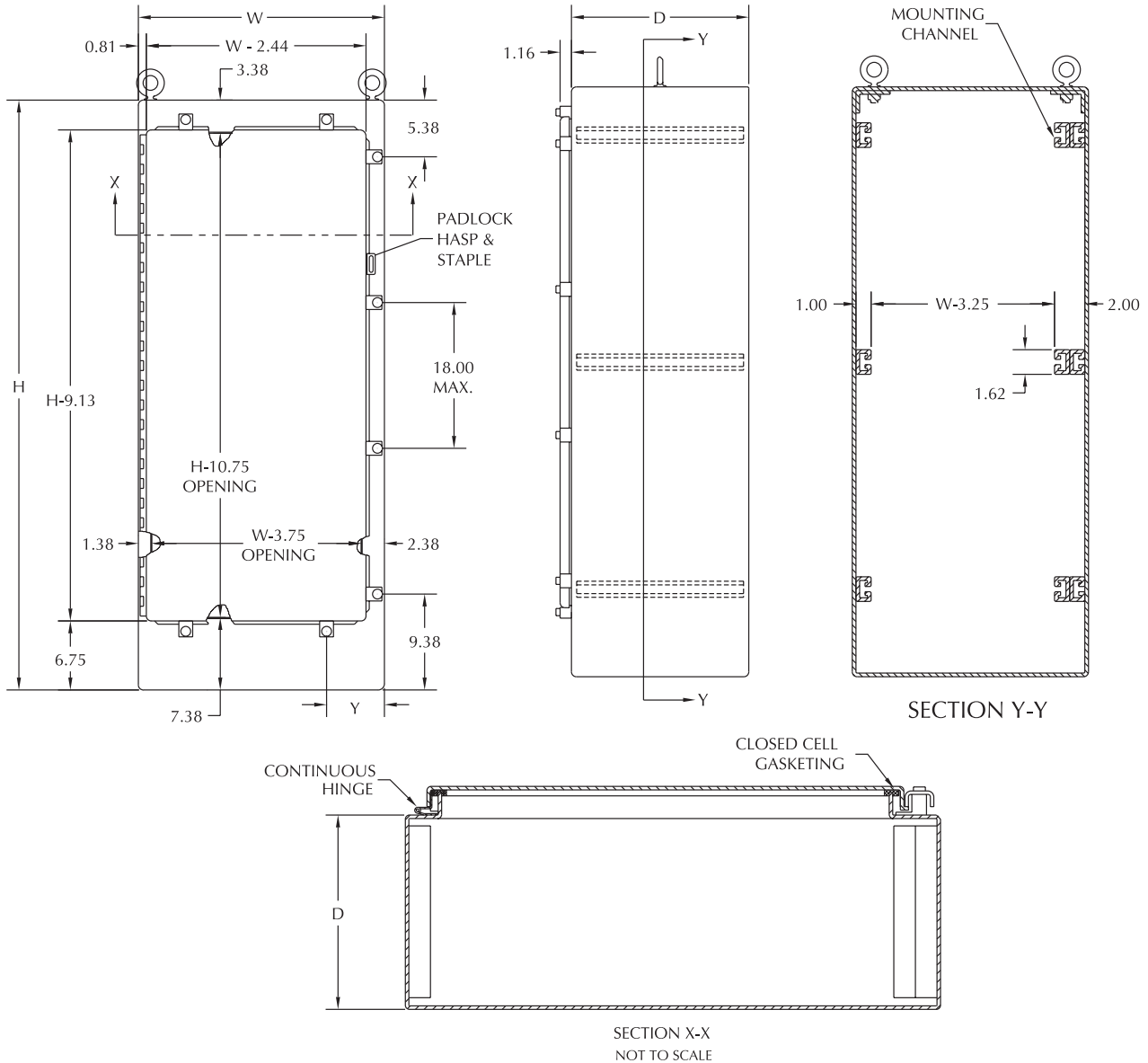
- UL 508, Types 3, 4, & 12
- UL File E64791
- CSA Certified, Types 3,4 & 12
- CSA File LL66078
- NEMA/EEMAC Types 3,4,& 12

Enclosure Shipping Schedule		
Same day	1 - 7 days	1 -10 days
Color indicates shipping lead time in business days.		

Part Number	Price	Body/Door	Enclosure Size HxWxD	Y	Subpanels
N4S722518FS	check	12/12	72.12x25.12x18.12 (1832x638x460)	6.38 (162)	See WA series panels and accessories for various panel styles. Subpanels are on page 26-112.
N4S723124FS	check	12/12	72.12x31.12x24.12 (1832x790x613)	8.38 (213)	
N4S723724FS	check	12/12	72.12x37.12x24.12 (1832x943x613)	10.38 (264)	
Note: Subpanels must be ordered separately. Dimensions in inches (millimeters); letters in table correspond to letters on dimensional drawings.					

NEMA 4 SINGLE-DOOR FREESTANDING

Dimensions



NEMA 4X JIC CLAMP COVER WALL MOUNT



Applications

Provides unmatched protection for housing electrical components in highly corrosive environments. This enclosure is used in indoor and outdoor settings that are frequently wet or have constant exposure to water, other liquids, or contaminants.

Construction

- Bodies, doors are fabricated from 16 gauge type 304 stainless steel
- Continuously welded seams ground smooth, less knockouts or holes
- Closed cell oil resistant neoprene gasket
- External mounting feet, top and bottom of enclosure
- Weldnuts are provided on models 6" x 4" and larger to secure optional subpanel
- Stainless steel screws and clamps on four sides of cover assure water-tight seal

- Grounding provisions provided
- Optional panels and terminal kits must be ordered separately

Finish

- Cover and outside of enclosure have a smooth grained finish
- Optional subpanels are white polyester powder over phosphatized surfaces

Listings

- UL 50, Types 4, 4X, 12 & 13 (6x6x4 and above)
- UL 508, Types 4, 4X, 12 & 13 (6x4x3 and smaller)
- UL File E23553, E64791
- CSA Certified, Types, 4 & 12
- CSA File LL66078
- NEMA/EEMAC Types 4, 4X, 12 & 13
- JIC EL-1-71

Enclosure Shipping Schedule

Same day	1 - 7 days	1 - 10 days
----------	------------	-------------

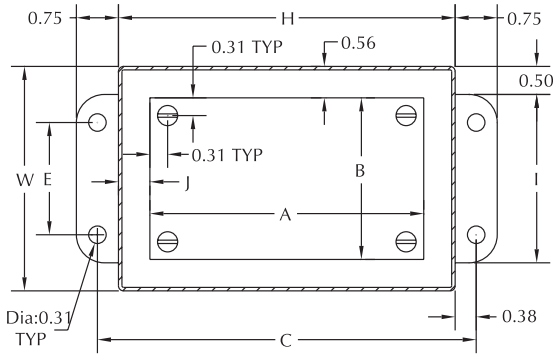
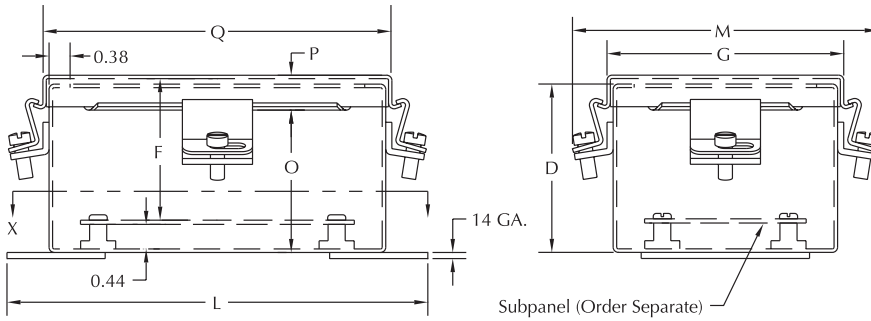
Color indicates shipping lead time in business days.

Part Number	Price	Body/Door	Enclosure Size HxWxD	Subpanel P/N	Price	Subpanel Size AxB	Mtg CxE	Overall LxM	F	G	I	J	K	N	O	P	Q
BN4040403SS	check	16/16	4x4x3 (102x102x76)	NA	NA	4.75x2.00 (121x51)	5.50x5.63 (140x143)	2.53 (64)	4.31 (109)	3 (76)	NA	1.38 (35)	1.38 (35)	2.53 (64)	0.63 (16)	4.31 (110)	
BN4060403SS	check	16/16	6x4x3 (152x102x76)	P0604	check	4.88x2.88 (124x73)	6.75x2 (171x51)	7.50x5.63 (191x143)	2.53 (64)	4.31 (109)	3 (76)	0.56 (14)	1.38 (35)	2.38 (60)	2.53 (64)	0.63 (16)	6.31 (160)
BN4060604SS	check	16/16	6x6x4 (152x152x102)	P0606	check	4.88x4.88 (124x124)	6.75x4 (171x102)	7.50x7.63 (191x194)	3.53 (90)	6.31 (160)	5 (127)	0.56 (14)	2.38 (60)	2.38 (60)	3.53 (90)	0.63 (16)	6.31 (160)
BN4080604SS	check	16/16	8x6x4 (203x152x102)	P0806	check	6.88x4.88 (175x124)	8.75x4 (222x102)	9.50x7.63 (241x194)	3.53 (90)	6.31 (160)	5 (127)	0.56 (14)	2.38 (60)	3.38 (86)	3.53 (90)	0.63 (16)	8.31 (211)
BN4100804SS	check	16/16	10x8x4 (254x203x102)	P1008	check	8.88x6.88 (226x175)	10.75x6 (273x152)	11.50x9.63 (292x244)	3.53 (90)	8.31 (211)	7 (178)	0.56 (14)	3.38 (86)	1.50 (38)	3.53 (90)	0.63 (16)	10.31 (262)
BN4121005SS	check	16/16	12x10x5 (305x254x127)	P1210	check	10.88x8.88 (276x226)	12.75x8 (324x203)	13.50x11.63 (292x295)	4.53 (115)	10.31 (262)	9 (229)	0.56 (14)	2 (51)	3 (76)	4.53 (115)	0.63 (16)	12.31 (313)
BN4141206SS	check	16/16	14x12x6 (356x305x152)	P1412	check	12.88x10.88 (327x276)	14.75x10 (375x254)	15.50x13.63 (394x346)	5.53 (141)	12.31 (313)	11 (279)	0.56 (14)	2 (51)	3 (76)	5.53 (141)	0.63 (16)	14.31 (364)
BN4161406SS	check	16/16	16x14x6 (406x356x152)	P1614	check	14.88x12.88 (378x327)	16.75x12 (425x305)	17.50x15.63 (445x397)	5.53 (141)	14.31 (363)	13 (330)	0.56 (14)	3.50 (89)	1.50 (38)	5.53 (141)	0.63 (16)	16.31 (414)

Note: Subpanels must be ordered separately. Dimensions in inches (millimeters); letters in table correspond to letters on dimensional drawings.

NEMA 4X JIC CLAMP COVER WALL MOUNT

Dimensions

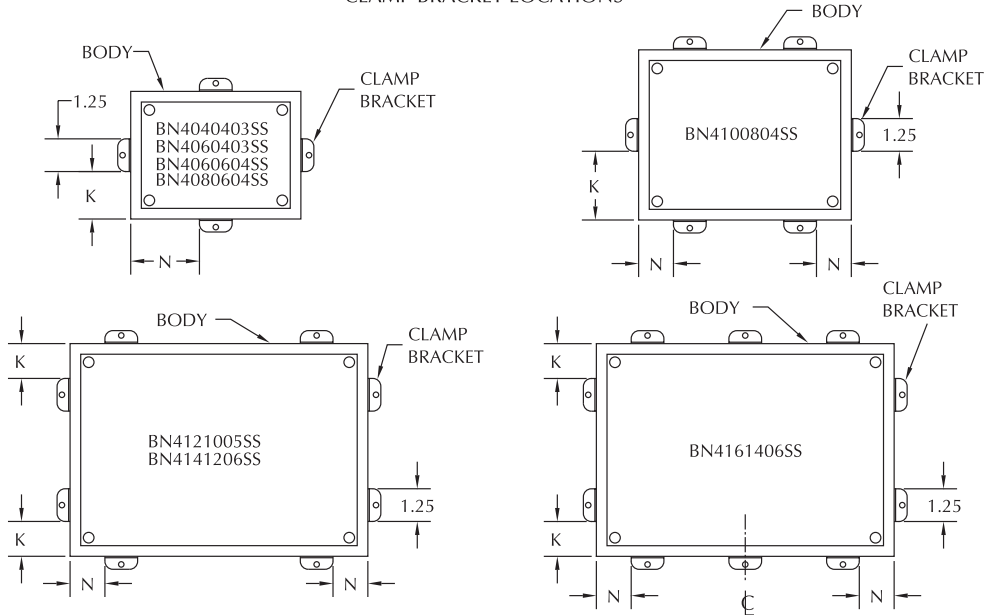


SECTION X-X

Notes:

1. Subpanels are 14 Ga. steel.
2. Subpanel Screws are #10-32 Pan Head.

CLAMP BRACKET LOCATIONS



NEMA 4X STAINLESS STEEL JIC CONTINUOUS-HINGE WALL MOUNT



Application

Provides unmatched protection for housing electrical components in highly corrosive environments. This enclosure is used for indoor and outdoor settings that are frequently wet or have constant exposure to water, other liquids, or contaminants.

Construction

- Fabricated from 16 gauge type 304 stainless steel
- Continuously welded seams ground smooth, less knockouts or holes
- Closed cell oil-resistant neoprene gasket
- External mounting feet
- Weldnuts are provided for mounting optional subpanels securely on models 6 x 4 and larger

- Stainless steel screws and clamps on three sides of cover assure watertight seal
- Door removed by pulling stainless steel continuous hinge pin
- Grounding provisions provided
- Optional subpanels and terminal kits must be ordered separately

Finish

- Cover and outside of enclosure have a smooth grained finish
- Optional subpanels are white polyester powder over phosphatized surfaces or grained finish stainless steel

Listings

- UL 50 Listed, Types 4, 4X, 12 and 13
- UL file E6924
- CSA Certified, Types 4 and 12
- CSA file LL66078
- Meets NEMA/EEMAC Types 4, 4X, 12 and 13 requirements
- JIC EL-1-71

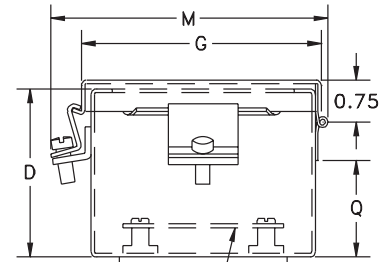
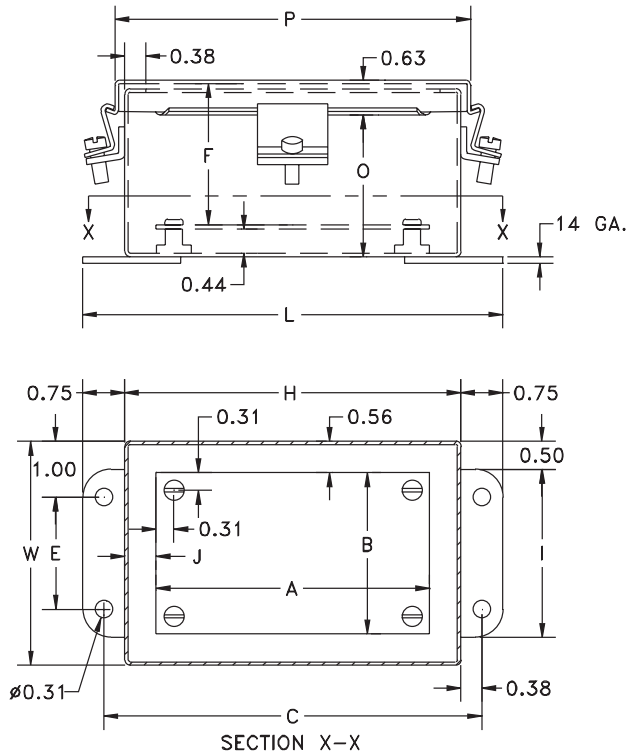
Enclosure Shipping Schedule		
Same day	1 - 7 days	1 - 10 days
Color indicates shipping lead time in business days.		

Part Number	Price	Body/Door	Enclosure Size HxWxD	Subpanel P/N	Price	Subpanel Size Ax B	Mtg Cx E	Overall Lx M	F	G	I	J	K	N	O	P	Q
BN4060404CHSS	check	16/16	6x4x4 (152x102x102)	P0604	check	4.88x2.88 (124x73)	6.75x2 (171x51)	7.50x5 (191x127)	3.53 (90)	4.31 (109)	3 (76)	0.56 (14)	1.38 (35)	2.38 (60)	3.53 (90)	6.31 (160)	2.78 (71)
BN4060604CHSS	check	16/16	6x6x4 (152x152x102)	P0606	check	4.88x4.88 (124x124)	6.75x4 (171x102)	7.50x7 (191x178)	3.53 (90)	6.31 (160)	5 (127)	0.56 (14)	2.38 (60)	2.38 (60)	3.53 (90)	6.31 (160)	2.78 (71)
BN4080604CHSS	check	16/16	8x6x4 (203x152x102)	P0806	check	6.88x4.88 (175x124)	8.75x4 (222x102)	9.50x7 (241x178)	3.53 (90)	6.31 (160)	5 (127)	0.56 (14)	2.38 (60)	3.38 (86)	3.53 (90)	8.31 (211)	2.78 (71)
BN4100804CHSS	check	16/16	10x8x4 (254x203x102)	P1008	check	8.88x6.88 (226x175)	10.75x6 (273x152)	11.50x9 (292x229)	3.53 (90)	8.31 (211)	7 (178)	0.56 (14)	3.38 (86)	1.50 (38)	3.53 (90)	10.31 (262)	2.78 (71)
BN4121006CHSS	check	16/16	12x10x6 (305x254x152)	P1210	check	10.88x8.88 (276x226)	12.75x8 (324x203)	13.50x11 (343x279)	5.53 (141)	10.31 (262)	9 (229)	0.56 (14)	2 (51)	3 (76)	5.53 (141)	12.31 (313)	4.78 (121)
BN4121206CHSS	check	16/16	12x12x6 (305x305x152)	P1212	check	10.88x10.88 (276x276)	12.75x10 (324x254)	13.50x13 (343x330)	5.53 (141)	12.31 (313)	11 (279)	0.56 (14)	2.50 (64)	2.50 (64)	5.53 (141)	12.31 (313)	4.78 (121)
BN4141206CHSS	check	16/16	14x12x6 (356x305x152)	P1412	check	12.88x10.88 (327x276)	14.75x10 (375x254)	15.50x13 (394x330)	5.53 (141)	12.31 (313)	11 (279)	0.56 (14)	2 (51)	3 (76)	5.53 (141)	14.31 (364)	4.78 (121)
BN4161406CHSS	check	16/16	16x14x6 (406x356x152)	P1614	check	14.88x12.88 (378x327)	16.75x12 (425x305)	17.50x15 (445x381)	5.53 (141)	14.31 (363)	13 (330)	0.56 (14)	3.50 (89)	1.50 (38)	5.53 (141)	16.31 (414)	4.78 (121)

Note: Subpanels must be ordered separately. Dimensions in inches (millimeters); letters in table correspond to letters on dimensional drawings.

NEMA 4X STAINLESS STEEL JIC CONTINUOUS-HINGE WALL MOUNT

Dimensions

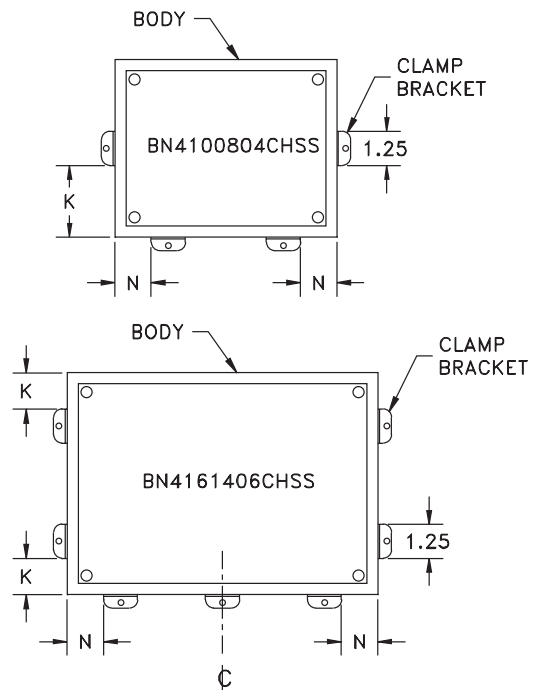
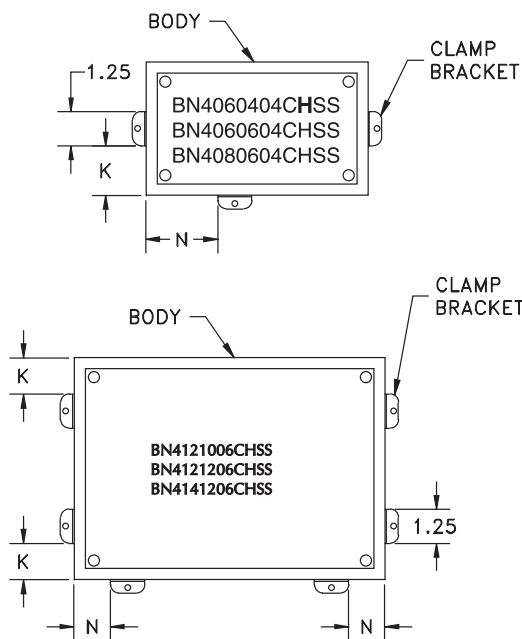


Subpanel (order separate)

Notes:

1. Subpanels are 14 gauge steel.
2. Subpanel screws are #10-32 pan head.

CLAMP BRACKET LOCATIONS



ENCLOSURES

NEMA 4X STAINLESS STEEL SINGLE-DOOR

WALL MOUNT



Applications

Provides unmatched protection for housing electrical components in highly corrosive environments. This enclosure is used in indoor and outdoor settings that are frequently wet or have constant exposure to water, other liquids, or contaminants.

Construction

- Fabricated from 14 gauge type 304 stainless steel
- Continuously plasma welded seams
- Door and body stiffeners are provided in larger enclosures for extra rigidity
- Rolled lip on three sides of door and all sides of enclosure opening is provided to exclude liquids and contaminants
- Quick and easy-to-operate stainless steel door clamps are provided
- Hasp and staple is provided for padlocking

- Print pocket is provided
- Doors are sealed with poured-in-place polyurethane gasket
- Collar studs provided for mounting optional subpanels
- External mounting feet for mounting enclosure
- Grounding provisions provided
- Optional subpanels must be ordered separately

Finish

- Cover and outside of enclosure have smooth grained finish.
- Optional subpanels are white polyester powder over phosphatized surfaces

Listings

- UL 50, Types 4, 4X, 12 and 13 (File E6924)
- CSA Certified, Types 4 and 12 (File LL66078)
- Meets NEMA/EEMAC Types 4, 4X, 12 and 13 requirements
- JIC EL-1-71

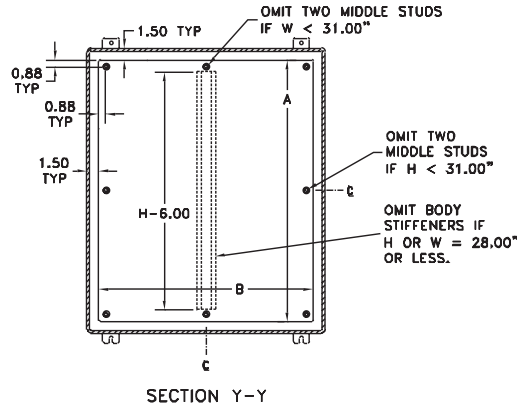
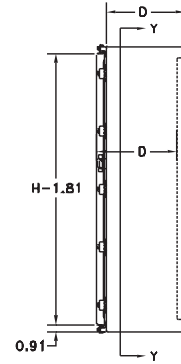
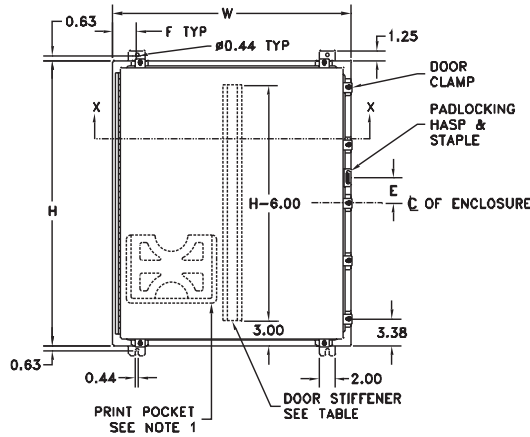
Enclosure Shipping Schedule		
Same day	1 - 7 days	1 -10 days
Color indicates shipping lead time in business days.		

Part Number	Price	Body/Door	Enclosure Size HxWxD	Subpanel P/N	Price	Subpanel Size AxB	C	E	Stiffener
SSN4161206	check	14/14	16x12x6 (406x305x152)	NP1612	check	13x9 (330x229)	-	0	door: no body: no
SSN4161208	check	14/14	16x12x8 (406x305x203)	NP1612	check	13x9 (330x229)	-	0	door: no body: no
SSN4201606	check	14/14	20x16x6 (508x406x152)	NP2016	check	17x13 (432x330)	-	0	door: no body: no
SSN4201608	check	14/14	20x16x8 (508x406x203)	NP2016	check	17x13 (432x330)	-	0	door: no body: no
SSN4202006	check	14/14	20x20x6 (508x508x152)	NP2020	check	17x17 (432x432)	-	0	door: no body: no
SSN4242006	check	14/14	24x20x6 (610x508x152)	NP2420	check	21x17 (533x432)	-	4,313 (110)	door: no body: no
SSN4242008	check	14/14	24x20x8 (610x508x203)	NP2420	check	21x17 (533x432)	-	4,313 (110)	door: no body: no
SSN4242408	check	14/14	24x24x8 (610x610x203)	NP2424	check	21x21 (533x533)	-	4,313 (110)	door: no body: no
SSN4302408	check	14/14	30x24x8 (762x610x203)	NP3024	check	27x21 (686x533)	-	5,813 (148)	door: no body: no
SSN4362408	check	14/14	36x24x8 (914x610x203)	NP3624	check	33x21 (838x533)	-	7,313 (186)	door: no body: no
SSN4363010	check	14/14	36x30x10 (914x762x254)	NP3630	check	33x27 (838x686)	9 (229)	7,313 (186)	door: no body: yes
SSN4363612	check	14/14	36x36x12 (914x914x305)	NP3636	check	33x33 (838x838)	9 (229)	7,313 (186)	door: yes body: yes

Note: Subpanels must be ordered separately. Dimensions in inches (millimeters); letters in table correspond to letters on dimensional drawings.

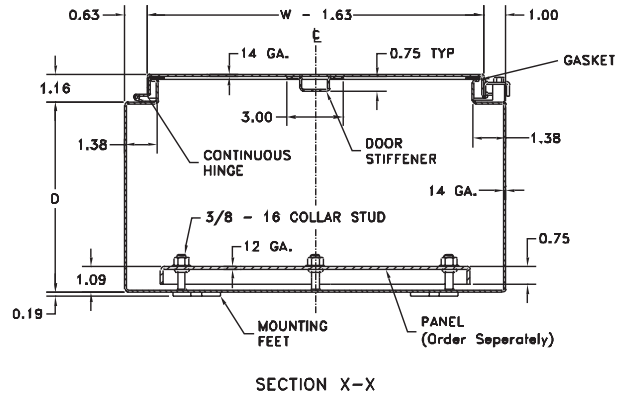
NEMA 4X STAINLESS STEEL SINGLE-DOOR WALL MOUNT

Dimensions



NOTES:

1. Large print pocket (8X10) is furnished if H = 20.00" or more and W = 20.00" or more. Otherwise small (6X6) print pocket is provided.
2. Panels are made from 12 Ga. steel.
3. Panels have flanges along all sides when either dimension exceeds 17".
4. The number of door clamps is dependent on size of enclosure. Clamps are furnished along three sides of door.
5. F = 3" when W is 16" or greater and 1-1/4" when W is 12" or less.



NEMA 4X STAINLESS STEEL TWO-DOOR FLOOR MOUNT



Applications

This two-door enclosure provides industry-leading protection for systems incorporating large components or complex configurations in highly corrosive environments. It is typically used in the following areas: food processing plants, pharmaceutical manufacturing facilities, petrochemical plants, pulp and paper processing, and waste water treatment facilities.

Construction

- Bodies and doors fabricated from 10 gauge 304 stainless steel
- Continuously welded seams ground smooth, less knockouts or holes
- X-type body stiffeners are added for extra strength
- Rolled lip around three sides of door and along top of enclosure opening excludes liquids and contaminants from entering
- Quick and easy to operate stainless steel door clamps around three sides of doors are provided
- Heavy gauge stainless steel continuous hinges are provided

- Doors are removable by pulling stainless steel continuous hinge pin
- Hasp and staple are provided for padlocking
- Print pocket is provided
- Standard 12" high floor kits are welded to bottom of enclosure
- Heavy duty removable lifting eyes
- Doors are sealed with closed cell oil resistant neoprene gasket
- Grounding provisions provided
- Easily removable center post permits easy panel installations
- Collar studs for mounting optional subpanels

Finish

- Enclosures have a smooth grained finish on all exterior surfaces
- Optional subpanels are painted white polyester powder over phosphatized surfaces

Listings

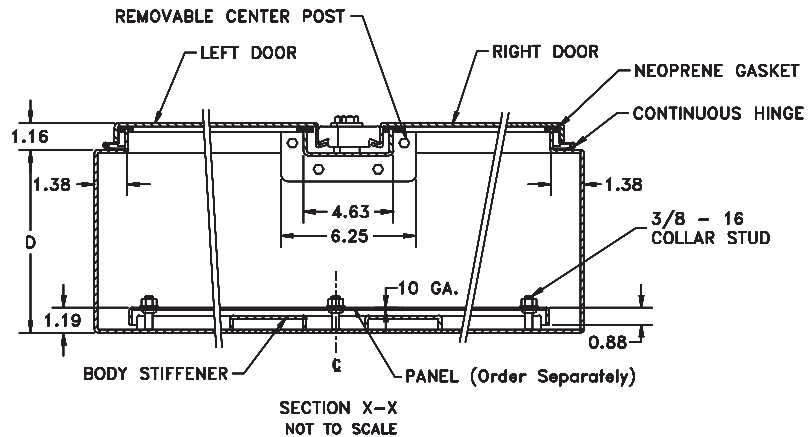
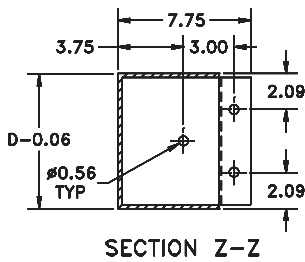
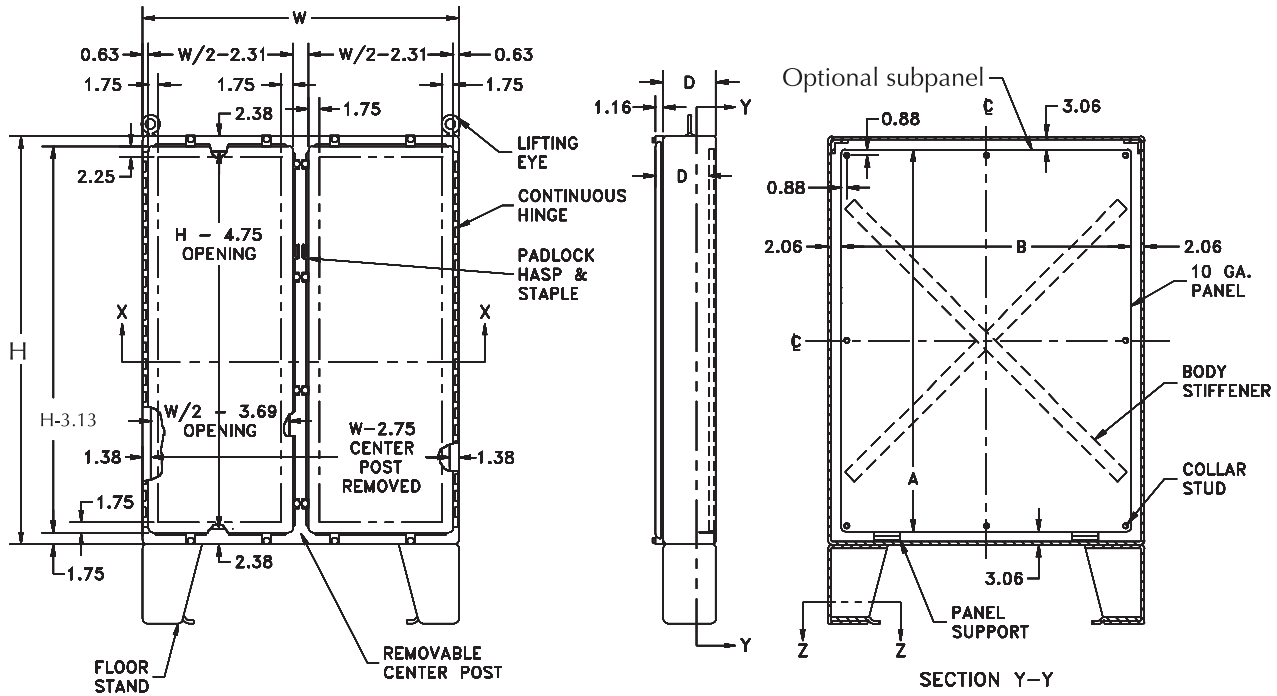
- UL 508, Types 4, 4X and 12 (UL file E64791)
- CSA Certified, Types 4 and 12 (CSA file LL66078)
- Meets NEMA/EEMAC Types 4, 4X and 12 requirements

Part Number	Price	Body/Door	Enclosure Size HxWxD (not incl. 12" legs)	Subpanel P/N	Price	Subpanel Size AxB
SSN4D624812	check	10/10	62.12x48.12x12.12 (1578x1222x308)	NPDD6048	check	56x44 (1422x1118)
SSN4D626012	check	10/10	62.12x60.12x12.12 (1578x1527x308)	NPDD6060	check	56x56 (1422x1422)
SSN4D747212	check	10/10	74.12x72.12x12.12 (1883x1832x308)	NPDD7272	check	68x68 (1727x1727)
SSN4D747224	check	10/10	74.12x72.12x24.12 (1883x1832x613)	NPDD7272	check	68x68 (1727x1727)

Note: Subpanels must be ordered separately. Dimensions in inches (millimeters); letters in table correspond to letters on dimensional drawings.

NEMA 4X STAINLESS STEEL TWO-DOOR FLOOR MOUNT

Dimensions



ENCLOSURE SUBPANELS



Subpanels

Subpanels are not included with enclosures and must be purchased separately. The specifications table for each enclosure family lists the part number of the subpanel that goes with each enclosure.

Subpanels for JIC enclosures

- 14 gauge (carbon and stainless)
- Steel subpanels painted white polyester powder
- Subpanels fit the following enclosures series: B, B_CH, BN4, BN4_CH, BN4_SS, BN4_CHSS (“_” refers to dimensions).

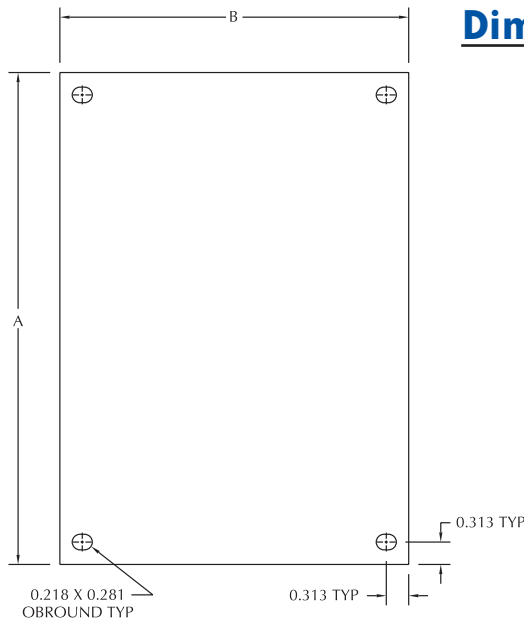


Enclosure Shipping Schedule		
Same day	1 - 7 days	1 -10 days
Color indicates shipping lead time in business days.		

Subpanel Part Number				Enclosure Size HxW	Subpanel Size AxB
White Steel	Price	304 Stainless	Price		
P0604	check	P0604SS	check	6x4 (152x102)	4.88x2.88 (124x73)
P0606	check	P0606SS	check	6x6 (152x152)	4.88x4.88 (124x124)
P0806	check	P0806SS	check	8x6 (203x152)	6.88x4.88 (175x124)
P0808	check	—		8x8 (203x203)	6.88x6.88 (175x175)
P1008	check	P1008SS	check	10x8 (254x203)	8.88x6.88 (226x175)
P1010	check	—		10x10 (254x254)	8.88x8.88 (226x226)
P1206	check	—		12x6 (305x152)	10.88x4.88 (276x124)
P1210	check	P1210SS	check	12x10 (305x254)	10.88x8.88 (276x226)
P1212	check	P1212SS	check	12x12 (305x305)	10.88x10.88 (276x276)
P1408	check	—		14x8 (356x203)	12.88x6.88 (327x175)
P1412	check	P1412SS	check	14x12 (356x305)	12.88x10.88 (327x276)
P1610	check	—		16x10 (406x254)	14.88x8.88 (378x226)
P1614	check	P1614SS	check	16x14 (406x356)	14.88x12.88 (378x327)

Note: Dimensions in inches (millimeters); letters in table correspond to letters on dimensional drawing.

Dimensions

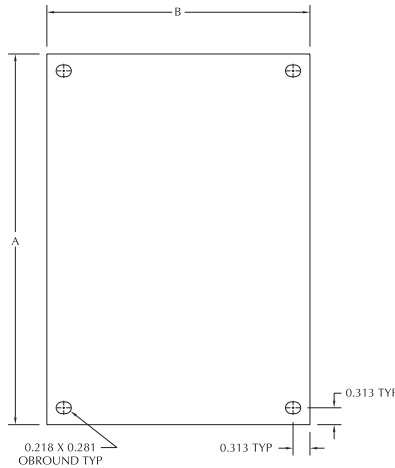


ENCLOSURE SUBPANELS



Subpanels for small NEMA 1, NEMA 3R and NEMA 12 enclosures

- 14 gauge
- Subpanels are painted white polyester powder
- Panels listed fit the following enclosures:
NEMA 1 small (N1C)
NEMA 3R small (RHC)
NEMA 12 WA_GIE



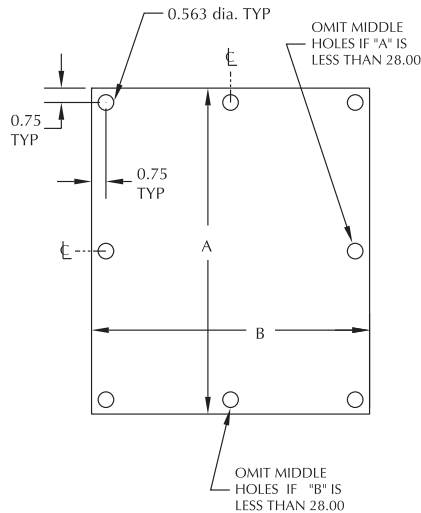
Part Number	Price	Enclosure Size HxW	Subpanel Size AxB
N1P0606	check	6x6 (152x152)	4.25x4.25 (108x108)
N1P0608	check	6x8 (152x203)	6.25x4.25 (159x108)
N1P0808	check	8x8 (203x203)	6.25x6.25 (159x159)
N1P0810	check	8x10 (203x254)	8.25x6.25 (210x159)
N1P1010	check	10x10 (254x254)	8.25x8.25 (210x210)
N1P1012	check	10x12 (254x305)	10.25x8.25 (260x210)
N1P1212	check	12x12 (305x305)	10.25x10.25 (260x260)
N1P1214	check	12x14 (305x356)	12.25x10.25 (311x260)
N1P1216	check	12x16 (305x406)	14.25x10.25 (362x260)
N1P1220	check	12x20(305x508)	18.25x10.25 (464x260)

Note: Dimensions in inches (millimeters); letters in table correspond to letters on dimensional drawing.

Enclosure Shipping Schedule		
Same day	1 - 7 days	1 - 10 days
Color indicates shipping lead time in business days		

Subpanels for large NEMA 1 enclosures

- 12 gauge
- Subpanels are painted white polyester powder
- Panels listed fit NEMA 1 large (N1C) enclosures



Part Number	Price	Enclosure Size HxW	Subpanel Size AxB
N1P1216L	check	16x12 (406x305)	13x10.50 (330x267)
N1P1616	check	16x16 (406x406)	13x14.50 (330x368)
N1P1620	check	20x16 (508x406)	17x14.50 (432x368)
N1P1624	check	24x16 (914x406)	21x14.50 (533x368)
N1P2016	check	16x20 (406x508)	13x18.50 (330x470)
N1P2020	check	20x20 (508x508)	17x18.50 (432x470)
N1P2024	check	24x20 (610x508)	21x18.50 (533x470)
N1P2030	check	30x20 (762x508)	26x18.50 (660x470)
N1P2420	check	20x24 (508x610)	17.00x22.50 (432x572)
N1P2424	check	24x24 (610x610)	21x22.50 (533x572)
N1P2430	check	30x24 (762x610)	26x22.50 (660x572)
N1P2436	check	36x24 (914x610)	32x22.50 (813x572)
N1P3030	check	30x30 (762x762)	26x28.50 (660x724)
N1P3036	check	36x30 (914x762)	32x28.50 (813x724)

Note: Dimensions in inches (millimeters); letters in table correspond to letters on dimensional drawing.



ENCLOSURES SUBPANELS



Subpanels for large NEMA 1, 12, 4 and 4X wall mount enclosures

- 12 gauge steel
- Subpanels with any side over 17" have 3/4" flange on all sides
- Subpanels are painted white polyester powder

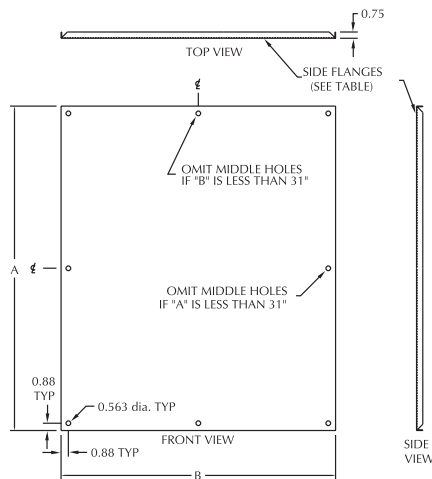
Panels listed fit the following enclosures:

- NEMA 1 large (NIC)
- NEMA 4, 412 and 4X single door (N412_SS, N4, N412, SSN4)
- NEMA 12

- Two-door wall-mount, (WA_WF)
- Single door flush wall mount
- Large JIC (B_CH)
- Single-door (N12)



Enclosure Shipping Schedule		
Same day	1 - 7 days	1 -10 days
Color indicates shipping lead time in business days		



Part Number	Price	Enclosure Size HxW	Subpanel Size AxB
NP1212	check	12x12 (305x305)	9x9 (229x229)
NP1224	check	12x24 (305x610)	9x21 (229x533)
NP1612	check	16x12 (406x305)	13x9 (330x229)
NP1616	check	16x16 (406x406)	13x13 (330x330)
NP2012	check	20x12 (508x305)	17x9 (432x229)
NP2016	check	20x16 (508x406)	17x13 (432x330)
NP2020	check	20x20 (508x508)	17x17 (432x432)
NP2412	Use NP1224		
NP2416	check	24x16 (610x406)	21x13 (533x330)
NP2420	check	24x20 (610x508)	21x17 (533x432)
NP2424	check	24x24 (610x610)	21x21 (533x533)
NP3016	check	30x16 (762x406)	27x13 (686x330)
NP3020	check	30x20 (762x508)	27x17 (686x432)
NP3024	check	30x24 (762x610)	27x21 (686x533)
NP3030	check	30x30 (762x762)	27x27 (686x686)
NP3624	check	36x24 (914x610)	33x21 (838x533)
NP3630	check	36x30 (914x762)	33x27 (838x686)
NP3636	check	36x36 (914x914)	33x33 (838x838)
NP4024	check	40x24 (1016x610)	37x21 (940x533)
NP4224	check	42x24 (1067x610)	39x21 (991x533)
NP4230	check	42x30 (1067x762)	39x27 (991x686)
NP4236	check	42x36 (1067x914)	39x33 (991x838)
NP4824	check	48x24 (1219x610)	45x21 (1143x533)
NP4830	check	48x30 (1219x762)	45x27 (1143x686)
NP4836	check	48x36 (1219x914)	45x33 (1143x838)
NP6030	check	60x30 (1527x762)	57x27 (1448x686)
NP6036	check	60x36 (1527x914)	57x33 (1448x838)
NP7230	check	72x30 (1832x762)	69x27 (1753x686)
NP7236	check	72x36 (1832x914)	69x33 (1753x838)

Note: Dimensions in inches (millimeters); letters in table correspond to letters on dimensional drawing.

ENCLOSURE SUBPANELS

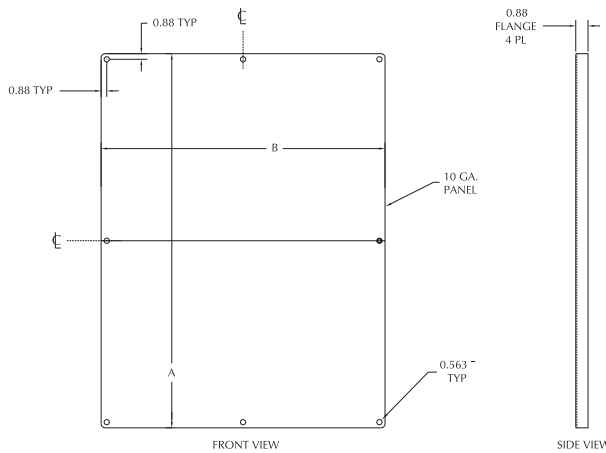


Subpanels for two-door floor mount enclosures

- Steel subpanels are fabricated from 10 gauge carbon steel
- Subpanels are painted white polyester powder
- Subpanels are used in NEMA 12 two-door floor mount enclosures and some two-door wall mount enclosures



Enclosure Shipping Schedule		
Same day	1 - 7 days	1 -10 days
Color indicates shipping lead time in business days		



Part Number	Price	Enclosure Size HxW	Subpanel Size AxB
NPDD4242	check	42x42 (1067x1067)	39x39 (991x991)
NPDD4260	check	42x60 (1067x1527)	38x56 (965x1422)
NPDD4842	check	48x42 (1219x1067)	45x39 (1143x991)
NPDD4848	check	48x48 (1219x1219)	44x44 (1118x1118)
NPDD5442	check	54x42 (1375x1067)	50x38 (1270x965)
NPDD6048	check	60x48 (1524x1219)	44x56 (1118x1422)
NPDD6060	check	60x60 (1524x1524)	56x56 (1422x1422)
NPDD7260	check	72x60 (1829x1524)	56x68 (1422x1727)
NPDD7272	check	72x72 (1829x1829)	68x68 (1727x1727)

Note: Dimensions in inches (millimeters); letters in table correspond to letters on dimensional drawing.

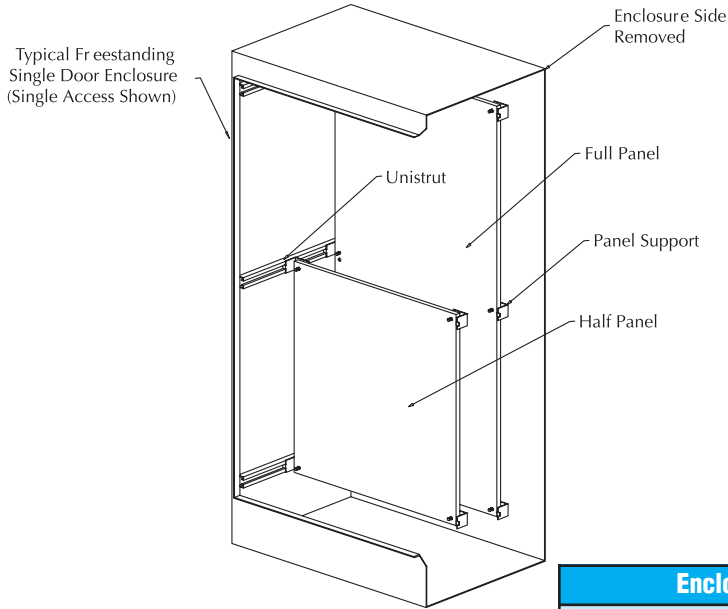
ACCESSORY CENTER PANEL SUPPORTS FOR FREESTANDING ENCLOSURES



Center Panel Supports		
Part Number	Price	Description
WA60FSCPS	check	Center panel support for 60" high enclosures. Allows two single-wide subpanels (including swing-out panels and rack mount frames) to be mounted in a two-door enclosure.
WA72FSCPS	check	Center panel support for 72" high enclosures. Allows two single-wide subpanels (including swing-out panels and rack mount frames) to be mounted in a two-door enclosure.
WA90FSCPS	check	Center panel support for 90" high enclosures. Allows two single-wide subpanels (including swing-out panels and rack mount frames) to be mounted in a two-door enclosure.

Clamp Nuts		
Part Number	Price	Description
WAPS1420CN	check	1/4 - 20 Clamp nut for unistrut
WAPS3816CN	check	3/8 - 16 Clamp nut for unistrut

WA-F1/F2 PANELS FOR SINGLE-DOOR FREESTANDING ENCLOSURES



Description

- Panels for single-door single-access and single-door dual-access, freestanding NEMA 12, and freestanding NEMA 4 enclosures
- Fashioned of 10 or 12 gauge steel; can be positioned anywhere along horizontal depth-wise mounting channels
- Half-length panels can be located in the upper or lower portion of the enclosure
- Mounting hardware is furnished with each panel
- Painted with a white polyester powder
- May be used in two-door enclosures along with other freestanding accessories

Enclosure Shipping Schedule		
Same day	1 - 7 days	1 - 10 days
Color indicates shipping lead time in business days.		

Panel Part Number	Price	Steel Gauge	Panel Size AxB	Subpanel Type
WA60P24F1	check	12	48x20 (1219x508)	Full
WA60P24F2	check	10	24.88x20 (632x508)	Half
WA60P36F1	check	12	48x32 (1219x813)	Full
WA60P36F2	check	12	24.88x32 (632x813)	Half
WA72P24F1	check	12	60x20 (1524x508)	Full
WA72P24F2	check	12	30.88x20 (784x508)	Half
WA72P30F1	check	12	60x26 (1524x660)	Full
WA72P30F2	check	10	30.88x26 (784x660)	Half
WA72P36F1	check	12	60x32 (1524x813)	Full
WA72P36F2	check	12	30.88x32 (784x813)	Half
WA90P24F1	check	12	78x20 (1981x508)	Full
WA90P24F2	check	10	39.88x20 (1013x508)	Half
WA90P36F1	check	12	78x32 (1981x813)	Full
WA90P36F2	check	10	39.88x32 (1013x813)	Half

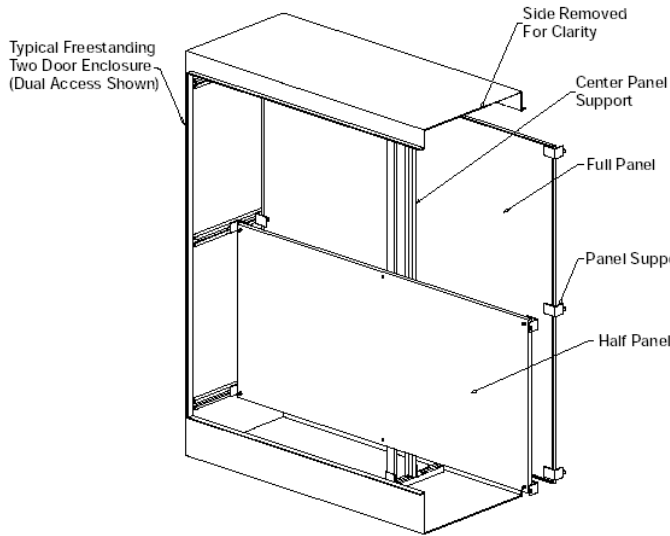
Note: Dimensions in inches (millimeters). If used in a two-door enclosure, a center panel support must be ordered. Suffix F1 -full panel, F2 - half panel

WA-F1/F2 PANELS FOR TWO-DOOR FREESTANDING ENCLOSURES



Description

- Panels for two-door single-access and two-door dual-access, freestanding NEMA 12 enclosures
- Manufactured of 10 gauge steel and can be positioned anywhere along horizontal depth-wise mounting channels
- Half-length panels can be located in the upper or lower portion of the enclosure
- Mounting hardware is furnished with each panel
- Painted with a white polyester powder



Enclosure Shipping Schedule

Same day	1 - 7 days	1 - 10 days
----------	------------	-------------

Color indicates shipping lead time in business days.

Panel Part Number	Price	Steel Gauge	Panel Size AxB	Subpanel Type
WA60P48F1	check	10	48x44 (1219x1118)	Full
WA60P48F2	check	10	24.88x44 (632x1118)	Half
WA72P48F1	check	10	60x44 (1524x1118)	Full
WA72P48F2	check	10	30.88x44 (784x1118)	Half
WA72P60F1	check	10	60x56 (1524x1422)	Full
WA72P60F2	check	10	30.88x56 (784x1422)	Half
WA72P72F1	check	10	68x68 (1727x1727)	Full
WA72P72F2	check	10	34x68 (863.5x1727)	Half
WA90P48F1	check	10	78x44 (1981x1118)	Full
WA90P48F2	check	10	39.88x44 (1013x1118)	Half
WA90P72F1	check	10	78x68 (1981x1727)	Full
WA90P72F2	check	10	39.88x68 (1013x1727)	Half

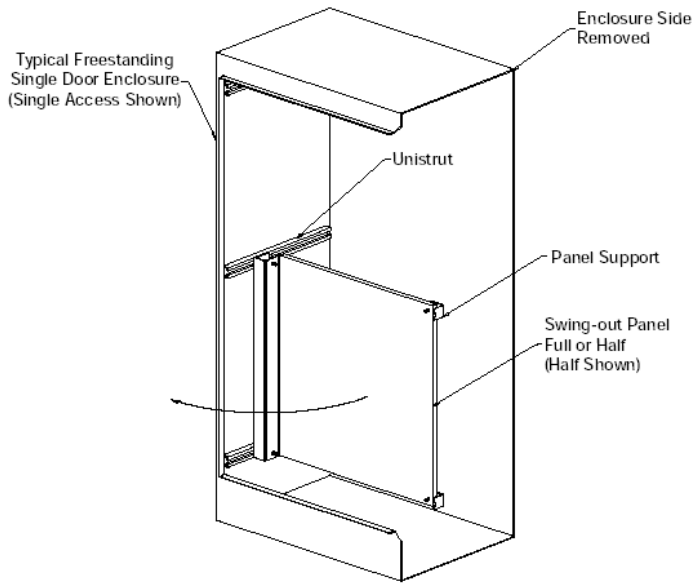
Note: Dimensions in inches (millimeters). Note: Suffix F1 = full panel, F2 = half panel

Important note: Center panel support is supplied with a regular two-door enclosure panel. This support is used only as a brace. It is not intended to be used as a support for single-door subpanels, relay racks, etc. Use WA_FSCPS panel supports for this purpose.



WASP-F3/F4 SERIES ACCESSORY

SWING-OUT PANELS FOR FREESTANDING ENCLOSURES



Description

- Panels for freestanding NEMA 12 enclosures and freestanding NEMA 4 enclosures
- Full-length and half-length swing-out panels are available
- Half-length panels can be located in the upper or lower portion of the enclosure
- Mounting can be on either side of the enclosure
- Painted with a white polyester powder
- May be used in two-door enclosures along with other freestanding accessories
- Fabricated from 12 gauge steel
- Mounting hardware is furnished with each panel

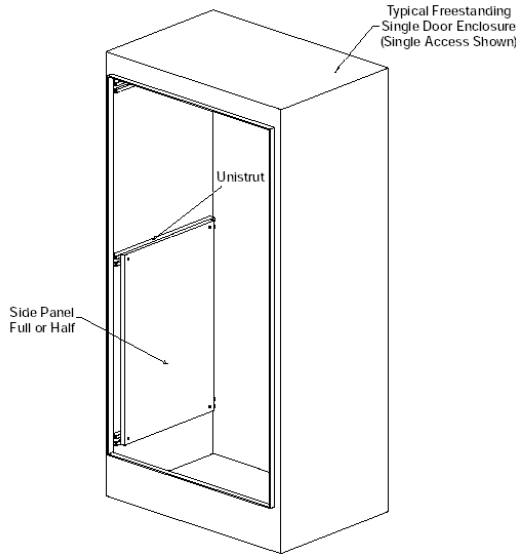


Enclosure Shipping Schedule		
Same day	1 - 7 days	1 -10 days
Color indicates shipping lead time in business days.		

Panel Part Number	Price	Steel Gauge	Panel Size AxB	Subpanel Type
WA60SP24F3	check	12	48x19 (1219x483)	Full
WA60SP24F4	check	12	24.88x19 (632x483)	Half
WA60SP36F3	check	12	48x31 (1219x787)	Full
WA60SP36F4	check	12	24.88x31 (632x787)	Half
WA72SP24F3	check	12	60x19(1524x483)	Full
WA72SP24F4	check	12	30.88x19 (784x483)	Half
WA72SP30F3	check	12	60x25 (1524x635)	Full
WA72SP30F4	check	12	30.88x25 (784x635)	Half
WA72SP36F3	check	12	60x31 (1524x787)	Full
WA72SP36F4	check	12	30.88x31 (784x787)	Half
WA90SP36F3	check	12	78x31 (1981x787)	Full
WA90SP36F4	check	12	39.88x31 (1013x787)	Half

Note: Dimensions in inches (millimeters). Note 1: If used in a two-door enclosure, a center panel support must be ordered. Note 2: Suffix F3 =full panel, F4 =half panel

WA-SMP SERIES SIDE-MOUNT PANELS FOR FREESTANDING ENCLOSURES



Description

- Panels for freestanding NEMA 4 and freestanding NEMA 12 enclosures
- Panels are fabricated from 12 gauge steel
- They provide extra mounting space on the sides of the enclosure
- Mounting hardware is furnished with each panel
- Panels are painted with a white polyester powder
- Panels attach securely to mounting channels

Panel Part Number	Price	Steel Gauge	Panel Size AxB
WA60SMP14	check	12	48x14 (1219x356)
WA72SMP14	check	12	60x14 (1524x356)
WA72SMP20	check	12	60x20 (1524x508)
WA90SMP14	check	12	78x14 (1981x356)
WA90SMP20	check	12	78x20 (1981x508)

Note: Dimensions in inches (millimeters)

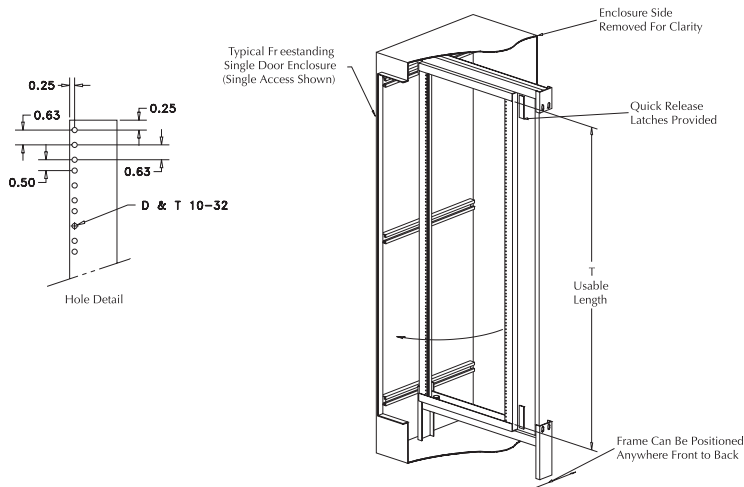
WA-SOF SERIES ACCESSORY SWING-OUT RACKS FOR FREESTANDING ENCLOSURES

Enclosure Shipping Schedule		
Same day	1 - 7 days	1 -10 days

Color indicates shipping lead time in business days.

Description

Fabricated from 10-gauge steel, these swing-out rack mounting frames are available for mounting rack mounting equipment. Mounting holes are tapped with #10-32 threads spaced per E.I.A. standard. Panels are painted with a white polyester powder



Frame P/N	Price	Rack Size	Fits Enclosure HxW	Usable Angle Length "T"
WA7230SOF19	check	19 (483)	72x30 (1829x762)	57.88 (1470)
WA7236SOF19	check	19 (483)	72x36 (1829x914)	57.88 (1470)
WA9036SOF19	check	19 (483)	90x36 (2286x914)	75.38 (1915)

Note: Dimensions in inches (millimeters) Note: If used in a two-door enclosure, a center panel support must be ordered.

