

# ENCLOSURE ACCESSORIES



## JIC and NEMA swing-out panel kits

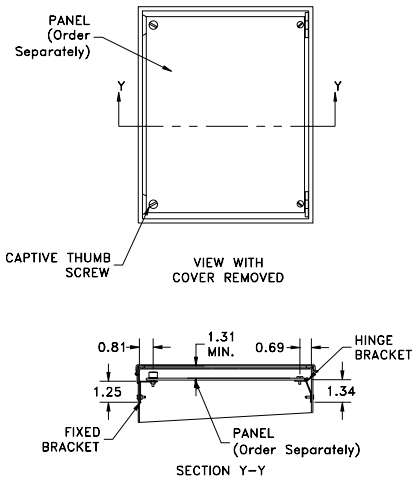
- Designed to allow mounting of switches, pilot lights and other components near the front of the enclosure for easy access or meter reading
- These kits consist of heavy-gauge brackets and hinges, which are easily installed by drilling small holes in the sides of the enclosure and bolting the bracket in place

- Sealed washers are also furnished to ensure that the enclosure will meet the original NEMA rating after installation.
- These kits are designed for use with standard Wiegmann JIC and NEMA panels.

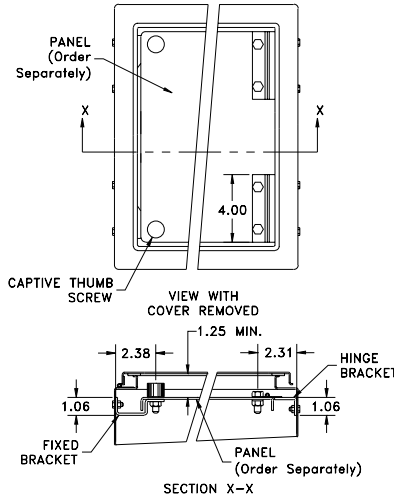
Part Number	Price	Description
WAJCDFK	check	JIC kit
WANADFK	check	NEMA kit

Note: Panels must be ordered separately from enclosure

### WAJCDFK



### WANADFK



Enclosure Shipping Schedule		
Same day	1 - 7 days	1 - 10 days
Color indicates shipping lead time in business days.		



## Touch-up paint

Part Number: **WAGSE**

ANSI-61 gray satin enamel in 12 oz. spray can. Use on existing enclosure and subpanel finishes.

## Mounting feet

Part Number: **N412MFK**

Part Number: **N412MFKSS**

- N412MFK contains four steel external mounting feet
- N412MFKSS contains four stainless steel external mounting feet
- Sealing washers are provided with each kit to maintain NEMA 4 or 12 rating after installation
- N412MFK has a plated finish



## Print pockets



Print Pockets		
Part Number	Price	Description
WAPPL0606	check	6"x6" plastic print pocket can be placed anywhere within enclosure using 2-way adhesive tape flanges. Color: white
WAPPL0810	check	8"x10" plastic print pocket can be placed anywhere within enclosure using 2-way adhesive tape flanges. Color: white

# ENCLOSURE ACCESSORIES



## Hole seals



Designed to seal extra pushbutton holes, conduit openings, and knockout openings from dirt, dust, oil and water.

Has quick wing nut and oil-resistant gasket. Steel hole seals are finished with ANSI-61 gray polyester powder. Stainless steel hole seals have a grained finish.

## Casters

- Casters can be used on any enclosure to provide mobility
- Caster kit includes two swivel casters and two stationary casters, along with all necessary hardware
- Zinc-plated steel



## Panel supports

- Provide additional support for panels on which heavy instruments are mounted
- Adjustable so the weight of the panel is partially supported by the bottom of the enclosure
- White polyester powder finish



Part No: Steel Hole Seals	Price	Part No: Stainless Steel Hole Seals	Price	Description	Hole Diameter
<b>WAS050</b>	check	<b>WAS050SS</b>	check	1/2 inch conduit holes	0.88 (22)
<b>WAS075</b>	check	<b>WAS075SS</b>	check	3/4 inch conduit holes	1.13 (29)
<b>WAS100</b>	check	<b>WAS100SS</b>	check	1 inch conduit holes	1.38 (35)
<b>WAS125</b>	check	<b>WAS125SS</b>	check	1-1/4 inch conduit holes	1.63 (41)
<b>WAS150</b>	check	<b>WAS150SS</b>	check	1-1/2 inch conduit holes	2.00 (51)
<b>WAS200</b>	check	<b>WAS200SS</b>	check	2 inch conduit holes	2.50 (64)
<b>WAS250</b>	check	-		2-1/2 inch conduit holes	3.00 (76)
<b>WAS300</b>	check	-		3 inch conduit holes	3.63 (92)
<b>WAS350</b>	check	-		3-1/2 inch conduit holes	4.13 (105)
<b>WAS400</b>	check	-		4 inch conduit holes	4.63 (118)
<b>WASPB</b>	check	<b>WASPBSS</b>	check	Standard oil tight pushbutton holes	1.20 (30)
<b>WASPBG</b>	check	<b>WASPBGSS</b>	check	Miniature oil tight pushbutton holes	0.88 (22)

Note: Dimensions in inches (millimeters)

Caster Kit Part No.	Price	Description
<b>WC10C</b>	check	Set of 4 casters, 2 mounting plates and hardware
<b>WC12C</b>	check	Set of 4 casters, 2 mounting plates and hardware

Enclosure Shipping Schedule		
Same day	1 - 7 days	1 -10 days
Color indicates shipping lead time in business days.		

Panel Support Part No.	Price	Description
<b>WAPS03</b>	check	Two panel supports for 1-door and 2-door enclosures where distance from bottom of panel to bottom of enclosure is less than 2-1/4 inches
<b>WAPS09</b>	check	Two panel supports for freestanding enclosures where distance from bottom of panel to bottom of enclosure is between 2-7/8 inches and 8-1/2 inches

ENCLOSURES

# FLOOR STAND KIT



SSFK1216

## Applications

Kits are easily installed on most wall-mounted Wiegmann enclosures. Kits can also be used to elevate Wiegmann freestanding enclosures. To install, drill holes in bottom of existing enclosure and bolt in place. Each kit includes two stands and mounting bolts and nuts.

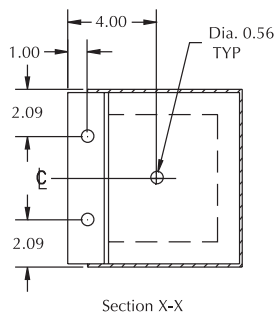
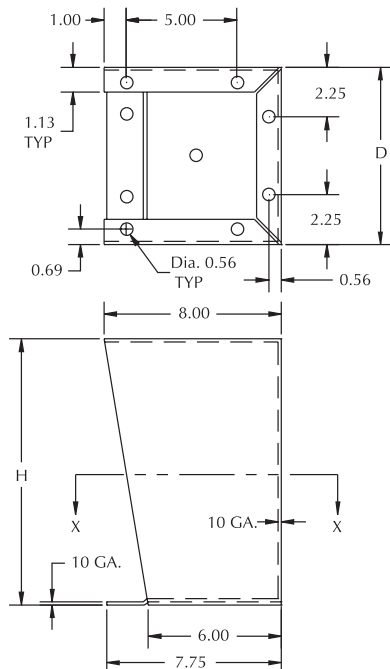
## Construction

- Steel floor stand has a ANSI 61 gray polyester powder finish over phosphatized surfaces
- Stainless steel floor stand is type 304, 10 gauge stainless with a grained finish



FK0608

## Dimensions



Steel Floor Kit	Price	Stainless Steel Floor Kit	Price	Floor Stand Height "H"	Enclosure Size "D"
FK0608	check	SSFK0608	check	6 (152)	8 (203)
FK0610	check	SSFK0610	check	6 (152)	10 (254)
FK0612	check	SSFK0612	check	6 (152)	12 (305)
FK0618	check	SSFK0618	check	6 (152)	18 (457)
FK0624	check	SSFK0624	check	6 (152)	24 (610)
FK1208	check	SSFK1208	check	12 (305)	8 (203)
FK1210	check	SSFK1210	check	12 (305)	10 (254)
FK1212	check	SSFK1212	check	12 (305)	12 (305)
FK1216	check	SSFK1216	check	12 (305)	16 (406)
FK1218	check	SSFK1218	check	12 (305)	18 (457)
FK1220	check	SSFK1220	check	12 (305)	20 (508)
FK1224	check	SSFK1224	check	12 (305)	24 (610)
FK1808	check	—		18 (457)	8 (203)
FK1810	check	—		18 (457)	10 (254)
FK1812	check	—		18 (457)	12 (305)
FK1816	check	—		18 (457)	16 (406)
FK2408	check	—		24 (610)	8 (203)
FK2410	check	SSFK2410	check	24 (610)	10 (254)
FK2412	check	SSFK2412	check	24 (610)	12 (305)

Note: Dimensions in inches (millimeters); letters in table correspond to letters on dimensional drawings.

Enclosure Shipping Schedule		
Same day	1 - 7 days	1 - 10 days

Color indicates shipping lead time in business days.

# ENCLOSURE ACCESSORIES - ELECTRICAL INTERLOCKS, DEFEATERS AND GROUNDING KIT



WAEK115



WAEK115NDH

## Electrical interlock

The WAEK115 is designed to be used with standard Wiegmann door latching mechanisms. When turned on, this interlock will prevent the door handle from being turned. This interlock is designed to fit handles in the following enclosures:

- All two-door NEMA 12 enclosures
- Freestanding NEMA 12 enclosures
- All consoles
- All single-door NEMA 12 enclosures which have three-point handle mechanisms

- Multi-door NEMA 12 enclosures

The WAEK115NDH is designed to be used with standard Wiegmann enclosures that have no handles. This interlock requires drilling several holes in the cover and the body for mounting.

Enclosure Shipping Schedule		
Same day	1 - 7 days	1 -10 days
Color indicates shipping lead time in business days.		

Part Number	Price	Description	Volts/Hz
WAEK115	check	Electrical Interlock	120/60
WAEK115NDH	check	Electrical Interlock	120/60

## Interlock defeater

This defeater is key-operated and enables personnel to enter an enclosure while the enclosure's internal components are energized. Turning the key disengages the circuit to the electrical interlock.



Part Number	Price	Description
WAEKDF	check	Interlock defeater

## Grounding kit

- Field Grounding Kit
- Includes necessary parts to properly ground enclosure

Grounding Kit		
Part Number	Description	Price
WGNDKT	Grounding Kit	check
Field grounding kit includes necessary parts to properly ground enclosure		



# ENCLOSURE ACCESSORIES - LIGHTING



WDL026SWLT120



WKL025SWLT120

## Lighting

Use where illumination is needed inside an enclosure. WDL series is available with motion sensor or on/off switch. With optional holder kit, WDL series lights can be “hand-held” for spot illumination.

Motion sensor version detects the motion of the enclosure door being opened and automatically turns light on. The sensor is factory pre-set to turn light off five minutes after motion ceases. The motion sensor does not detect movement through glass or fiberglass, thus allowing installation in enclosures with windows or glass doors.

- Uses Fluorescent lamps
- Light color/temp is bright white
- Holder and lamp housing manufactured from UL94-V0, impact resistant plastic
- Connection: 4-pole terminal, max. AWG 14 for power supply and parallel wiring of two lights
- Includes mounting screws

Enclosure Shipping Schedule		
Same day	1 - 7 days	1 - 10 days
Color indicates shipping lead time in business days.		

Lighting Unit Part Numbers	Price	Operating Voltage	Outlet Receptacle	Activation Method	Light Intensity (LM)	Lamp Current (HRS)	Dimensions HxWxD
WDL026SWLT120	check	110-120	No	Switch on housing	1,000	10,000	3.93x15.6x2.6 (100x396x67)
WDL026MSLT120	check	110-120	No	Passive infrared motion sensor	1000	10,000	3.93x15.6x2.6 (100x396x67)
WKL025SWLT120	check	110-120	Yes	Switch on housing	900	5,000	2.55x14x2.55 (65x355x65)

Note: Dimensions in inches (millimeters); letters in table correspond to letters on dimensional drawings.

## Mounting plates for WDL series lights

Part Number	Price	Description
WDL026MAG	check	Two magnet mounting plates
WDL026SEAD	check	Self-adhesive mounting plates

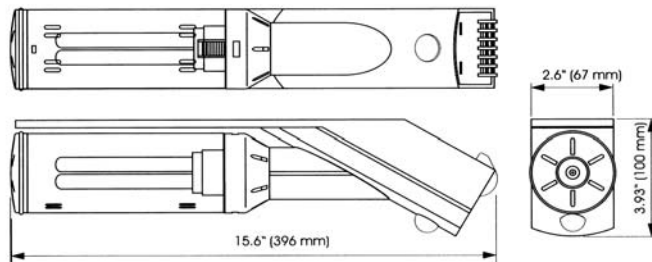
## Light holder for WDL series lights



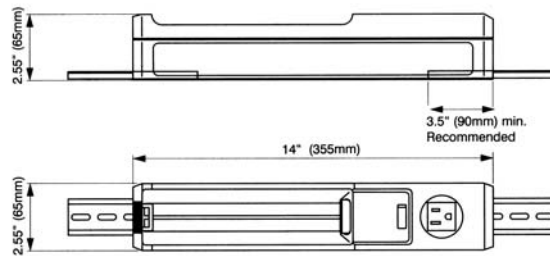
Part Number	Price	Description
LHPC02	check	Light holder (self-adhesive back to mount) with 10' power cord

## Dimensions

WDL Series



WKL Series



The light can also be screw mounted by sliding it on two 35mm DIN rails.

# ENCLOSURE ACCESSORIES - LOCKS AND LATCHES

## NEMA 1 type 1/4-latch



**N1C14T**

**N1C14TKL**

- Designed for field installation standard NEMA 1 type enclosures
- Requires only a quarter turn to open and close
- Available in both the 1/4-turn latch and 1/4-turn key lock

Latch Part Number	Price	Description
<b>N1C14T</b>	check	NEMA 1 1/4-turn latch
<b>N1C14TKL</b>	check	NEMA 1 1/4-turn key lock

## NEMA 412 tamper-resistant latch kits and keys



- Designed for NEMA 412 type enclosures
- Latch kits are tamper resistant
- Available in both 1-point and 3-point 1/4-turn kits
- All have black matte or chrome finish



**N41214TTRI**

**N41214SQ**

**N41214TVP**

Tamper-Resistant Latches Part Numbers				Description
1-point	Price	3-point	Price	
<b>N41214TTRI</b>	check	<b>N41214TTRI3</b>	check	Triangular 1/4-turn keyed latch
<b>N41214SQ</b>	check	<b>N41214SQ3</b>	check	Square 1/4-turn keyed latch
<b>N41214TVP</b>	check	<b>N41214TVP3</b>	check	Double bit vibration proof 1/4-turn keyed latch



**N41214TSS**

## Stainless steel lock kit for NEMA 412

- Designed for standard single-door type 412 enclosures
- Requires only a quarter turn to open and close
- Latch is water and dust tight
- Lock is stainless steel
- Can be used with N412 stainless steel enclosures

Lock Kit Part No.	Price	Description
<b>N41214TSS</b>	check	Stainless steel 1/4-turn; one point
<b>N41214TSS3</b>	check	Stainless steel 1/4-turn; three point



**N41214TTRIK**

**N41214SQK**

**N41214TVPK**

Tamper-Proof Keys Part Number	Price	Description
<b>N41214TTRIK</b>	check	Triangular key
<b>N41214SQK</b>	check	Square key
<b>N41214TVPK</b>	check	Double bit vibration proof key

Enclosure Shipping Schedule		
Same day	1 - 7 days	1 - 10 days
Color indicates shipping lead time in business days.		

ENCLOSURES

# GENERAL ACCESSORIES - LOCKS



## Lock kit for NEMA 4 and 12 enclosures

### NEMA 412 lock kits



**N41214T**



**N41214TB**



**WACLSN12**



**N41214TBK1**



**N41214TW**

- Designed for field installation in standard single-door NEMA4 and 12 enclosures
- Latch is water-tight and dust-tight
- It is necessary to drill or punch one hole in the cover to receive the latch
- Complete installation instructions are included



**N41214TWPL**



**N41214TTH**

Lock Kit for NEMA 12 Enclosures Part Number	Price	Description
<b>WACLSN12</b>	check	1- point key lock

- Designed for NEMA 412 type enclosures.
- All have black matte finish or chrome finish (see chart)
- Available in both 1-point and 3-point 1/4-turn latches

NEMA 412 Lock Kits Part Numbers				Description
1-point	Price	3-point	Price	
<b>N41214T</b>	check	<b>N41214T3</b>	check	Slotted chrome finish
<b>N41214TB</b>	check	<b>N41214TB3</b>	check	Slotted black matted finish
<b>N41214TW</b>	check	<b>N41214TW3</b>	check	Wing handle 1/4-turn latch
<b>N41214TWPL</b>	check	<b>N41214TWPL3</b>	check	Padlocking 1/4-turn
<b>N41214TTH</b>	check	<b>N41214TTH3</b>	check	1/4-turn black matted tee handle
<b>N41214TBK1 *</b>	check	<b>Not Available</b>		1/4-turn black key lock/dust cover

\* NEMA 12 and 13 rating with dust cover only.

Enclosure Shipping Schedule		
Same day	1 - 7 days	1 - 10 days
Color indicates shipping lead time in business days.		

# ENCLOSURE ACCESSORIES - LOCKS AND LATCHES



## Lock kits for junction boxes

- Designed for field installation in standard junction boxes. Latch is water-tight and dust-tight
- It is necessary to drill or punch one hole in the cover to receive the cylinder lock
- Complete installation instructions included
- Designed for field installation in standard single-door JIC, BCH, BN4CH enclosures



WACLJIC

WAPLKJIC

## Latch kits for single-door type 12 enclosures

- Designed for field installation in standard single door Type 3R, 4 and 12 enclosures
- Latch is water-tight and dust-tight
- It is necessary to drill or punch one hole in the cover to receive the latch
- Complete installation instructions are included



Keylock



Padlock

## NEMA 1 type T handle latch and cylinder lock kits

- The "T" handles are intended to be used on various NEMA 1 cabinets. Not suitable for water-tight applications
- The 3-point latch comes with handle, latch, latch rods and all hardware. Handles are chrome plated
- Cylinder locks are designed for field installation in the small NIC and large NIC enclosures. Latch is water and dust-tight. Must drill a hole in the door to receive the latch
- Latch has chrome-plated finish



WAL8



WAL12B



WA8



WAL12AR

Enclosure Shipping Schedule		
Same day	1 - 7 days	1 -10 days
Color indicates shipping lead time in business days.		

Junction Box Lock Kits Part Numbers	Price	Description
WACLJIC	check	1-point cylinder key lock
WAPLKJIC	check	Padlock lock kit

Latch Kits for Single Door Type 12				Description
Padlock Style	Price	Keylock Style	Price	
WAL1A	check	WAL2A	check	1-point latch kit
WAL1B	check	WAL2B	check	3-point latch kit where H is 16", 20", 24" or 30"
WAL1C	check	WAL2C	check	3-point latch kit where H is 36", 42" or 48"
WAL1D	check	WAL2D	check	3-point latch kit where H is 60" or 72"

Handle Latch and Cylinder Lock Kits	Price	Description
WAL8	check	1-point "T" locking handle
WA8	check	1-point "T" non locking handle
WAL12B	check	1-point key lock for small N1C enclosures
WAL12AR	check	3-point key lock for large N1C enclosures





# FILTERFAN KITS



## Applications

- Most innovative technology for fan cooling and pressurizing of industrial enclosures.
- Provides a high quality, economical method of cooling enclosures
- Filtered passive ventilation can be provided by an exhaust filter for either convection cooling or in combination with a fan in forced air cooling
- Slim line design allows grille to protrude from enclosure surface less than one quarter inch
- Maintains aesthetics of enclosure

## Features

- All models are 115V with an expected service life of 30,000 hours
- High-performance fan motors and finger guards
- Polycarbonate fire retardant plastic grilles, UL94-VO
- Durable, reusable filter mat included
- Patented “Click and Fit” system allows for rapid filterfan and exhaust filter installation without screws  
(This time-saving feature cuts installation time by up to 30 minutes when compared to traditional box fan packages)
- Cutout template provided with every unit.
- Filterfan or exhaust filter simply snaps into cutout opening
- Connector type: WPF10 Series 2 has 12-inch wires. WPF20-WPF60 Series has terminal strip

## Standards

- UL/CSA fan motor
- NEMA 1 (NEMA 12 with optional WPFG series gasket)
- IP43 (IP54 with optional WPFG Series gasket)

## Accessories

- Gaskets (WPFG Series) recommended if installing on enclosure with textured finish
- Replacement Filters (WPFM Series)

Part Number	Price	Rated Voltage	Free Flow Air Delivery (CFM) <sup>1</sup>	Air Delivery with Exhaust (CFM)	Max. Static Press. (PA)	Ambient Temp. Degree F Max/Min	Filter Density (G/M <sup>2</sup> )	Filtering Level	Sound Level (dB)	Required Cutout Sizes
<b>WPF10-115BK</b>	check	115V	18.65	11.64	29	140/14	150	67%	39	3.62x3.62 (92x92)
<b>WPF20-115BK</b>	check	115V	43.64	32.67	69	122/14	350	83%	49	4.92x4.92 (125x125)
<b>WPF25-115BK</b>	check	115V	101.97	71.63	57	122/14	350	83%	55	8.78x8.78 (223x223)
<b>WPF30-115BK</b>	check	115V	194.29	163.46	89	122/14	350	83%	55	8.78x8.78 (223x223)
<b>WPF50-115BK<sup>2</sup></b>	check	115V	358.93	272.44	205	122/14	350	83%	69	11.46x11.46 (291x291)
<b>WPF60-115BK<sup>2</sup></b>	check	115V	486.55	348.04	225	122/14	350	83%	71	11.46x11.46 (291x291)

Note 1: For operation at 50Hz, reduce CFM by 13%.

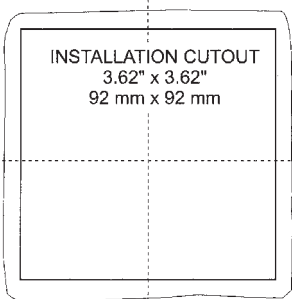
Note 2: Intake fan use only

Dimensions in inches (millimeters)

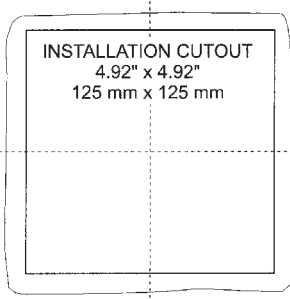
# FILTERFAN KIT CUTOUTS AND DIMENSIONS



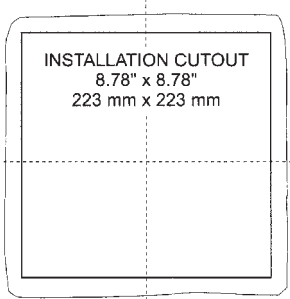
## Installation cutouts



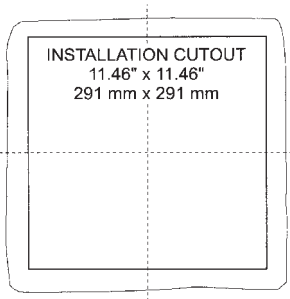
**WPF10-115BK**



**WPF20-115BK**

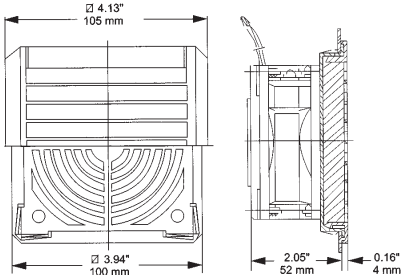


**WPF25-115BK**  
**WPF30-115BK**

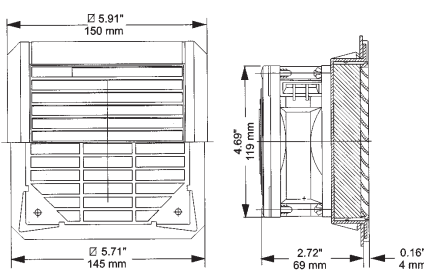


**WPF50-115BK**  
**WPF60-115BK**

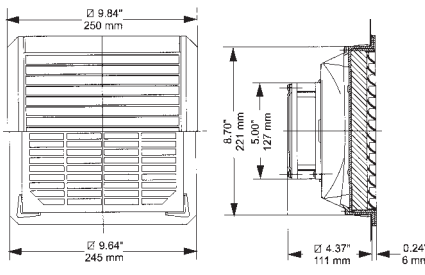
## Dimensions



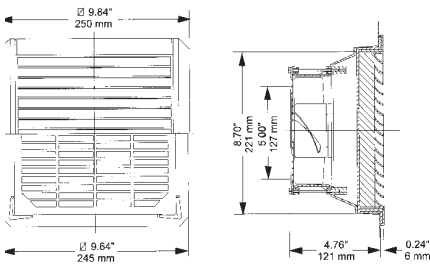
**WPF10-115BK**



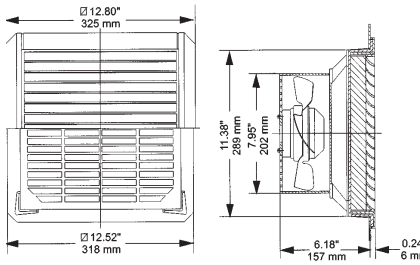
**WPF20-115BK**



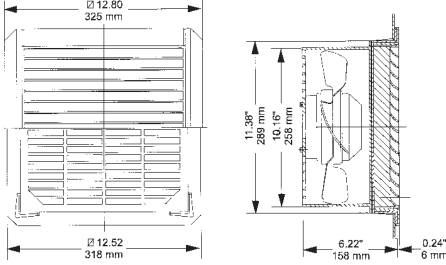
**WPF25-115BK**



**WPF30-115BK**



**WPF50-115BK**



**WPF60-115BK**



# EXHAUST GRILLE AND FILTER ACCESSORIES



WPFA10BK

## Exhaust grille

### Features

- Polycarbonate fire retardant plastic grilles, UL94-VO
- Durable, reusable filter mat included

### Standards

- NEMA 1 (NEMA 12 with optional WPFG Series gasket)
- IP43 (IP54 with optional WPFG Series gasket)

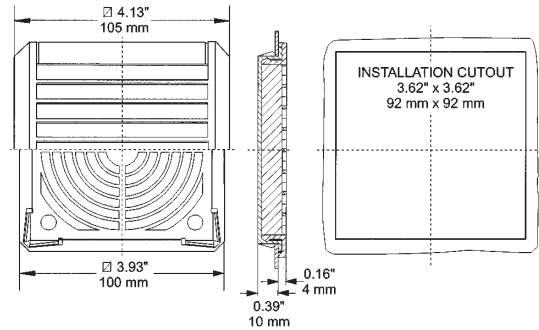
### Accessories

- Gaskets (WPFG Series) recommended if installing on enclosure with textured finish

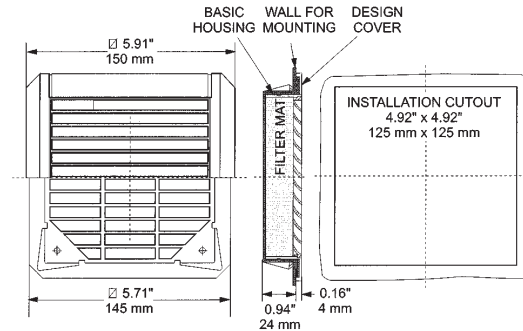
Part Number	Price	Filter Density (G/M2)	Mass Filter Level %	Required cut out dimensions
WPFA10BK	check	150	67%	3.62x3.62 (92x92)
WPFA20BK	check	350	83%	4.92x4.92 (125x125)
WPFA25-30BK	check	350	83%	8.78x8.78 (223x223)
WPFA50-60BK	check	350	83%	11.96x11.96 (291x291)

Dimensions in inches (millimeters)

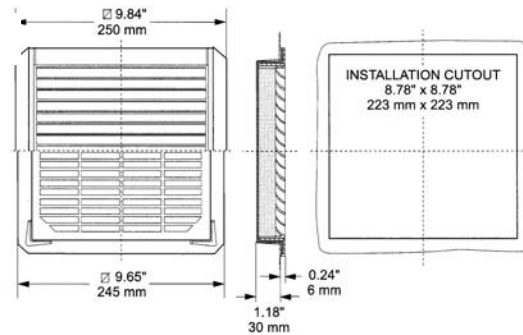
### WPFA10BK



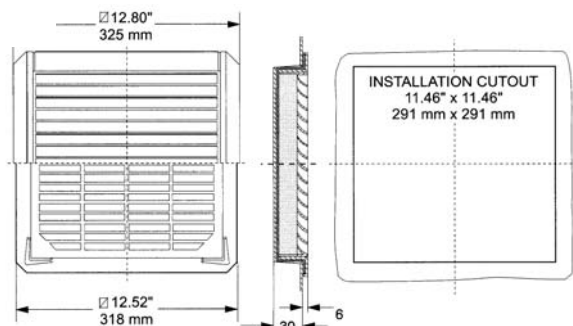
### WPFA20BK



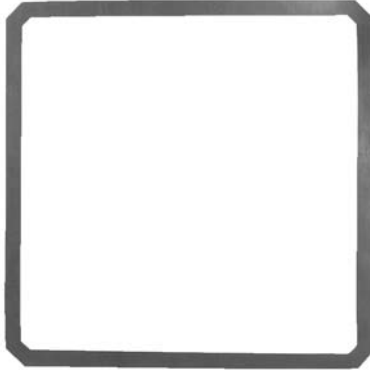
### WPFA25-30BK



### WPFA50-60BK



# EXHAUST GRILLE AND FILTER ACCESSORIES



## Rubber gaskets for filter fans and exhaust grilles

### Features

- Packaged individually
- Provide added sealing protection between enclosure and fan housing
- Recommended when fans or exhaust grilles are installed on enclosures with textured finishes

### Standards

- Changes filterfan rating (WPF series) from NEMA 1 to NEMA 12 when installed

## Replacement filter mats

### Applications

- Replacement filter mats for WPF series filterfans and WPFA series exhaust grilles

### Features

- Packaged in quantities of five
- Made of washable synthetic fibers
- Reusable up to 20 times
- 100% resistant to humidity



Part Number	Price	Use With This Filterfan Kit Part Number	Price	Use With This Exhaust Grille and Filter Part Number	Price	Mass Filter Lever %	Dimensions HxW
<b>WPFM10</b>	check	WPF10-115BK	check	WPFA10BK	check	67	3.40x3.40 (85x85)
<b>WPFM20</b>	check	WPF20-115BK	check	WPFA20BK	check	83	4.50x4.50 (115x115)
<b>WPFM25-30</b>	check	WPF25-115BK	check	WPFA25-30BK	check	83	8.30x8.30 (210x210)
		WPF30-115BK	check				
<b>WPFM50-60</b>	check	WPF50-115BK	check	WPFA50-60BK	check	83	11x11 (280x280)
		WPF60-115BK	check				

Part Number	Price	Use With Filterfan Kit Part Number	Price	Use With Exhaust Grille Part Number	Price
<b>WPFG10</b>	check	WPF10-115BK	check	WPFA10BK	check
<b>WPFG20</b>	check	WPF20-115BK	check	WPFA20BK	check
<b>WPFG25-30</b>	check	WPF25-115BK	check	WPFA25-30BK	check
		WPF30-115BK	check		
<b>WPFG50-60</b>	check	WPF50-115BK	check	WPFA50-60BK	check
		WPF60-115BK	check		

Enclosure Shipping Schedule		
Same day	1 - 7 days	1 - 10 days
Color indicates shipping lead time in business days.		



# VORTEX COOLERS



NEMA 4/4X      NEMA 12



## Applications

- Compressed air cooling is used where conventional enclosure cooling by air conditioners or heat exchangers is not possible (Example: Small to medium size enclosures, nonmetallic enclosures, and areas where the size of cooling devices is restricted)

## Features

- Suitable for harsh environments
- Small physical size
- Creates cool air without refrigerants (no CFCs, HCFCs)
- Exceptionally reliable - no moving parts and virtually no maintenance

## Requirements

- Uses clean, dry, oil-free compressed air (100 PSIG / 70 degrees F or below) required to achieve published BTU/hr ratings. Lower pressures and higher temperatures will reduce BTU/hr ratings.
- A 5-micron water and particulate removal filter must be installed prior to operating any vortex cooler (included in kits).
- An oil removal filter can be installed between the 5 micron filter and the Vortex Cooler if oil is present in the compressed air line.

## Mounting holes

- NEMA 12 kits: (1) 1-3/32" (28mm) or 3/4" knockout hole for cooling tube and (1) 11/16" hole for thermostat
- NEMA 4 and 4X kits: (1) 1-15/16" (49mm) or 1-1/2" knockout hole for cooling tube and (2) #8 holes for thermostat

## Kit includes the following:

- Vortex cooling tube
- Solenoid valve 120V / 60Hz - 110V / 50Hz
- Filter: 5-micron water and particulate removal
- Ducting kit
- Thermostat

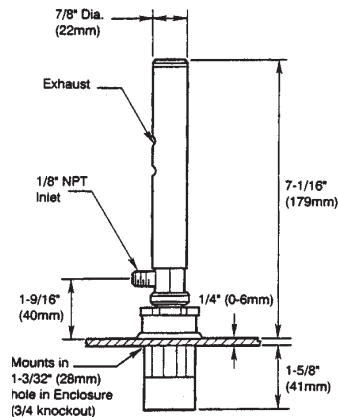
## Standards

- UL Listed
- NEMA 12, NEMA 4 or NEMA 4X

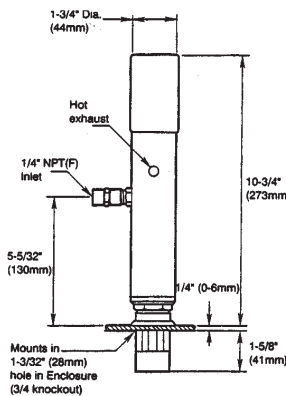
## How vortex coolers create cold air

Vortex coolers are powered by a vortex tube - a unique device that creates a vortex from compressed air and separates it into hot and cold airstreams. Here's how it works: The vortex tube's cylindrical generator causes the input compressed air to rotate, reaching speeds up to 1,000,000 rpm as it is forced down the inner walls of the hot longer end of the vortex tube. At the end of the hot tube, a small portion of this air exits through a needle valve as hot air exhaust. The remaining air is forced back through the center of the incoming air stream at a slower speed. The heat in the slower moving air is transferred to the faster moving incoming air. This super-cooled air flows through the center of the generator and exits through the cold air exhaust port.

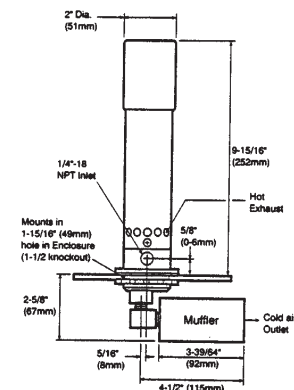
Part Number	Price	Capacity BTU/H	Capacity KCAL/H	Air Consumption SCFM	Air Consumption SLPM	Air Consumption Thermostat (Factory Set)	Tube Surface Temp at BTU	Thermostat Mounting	NEMA Type	UL Type	Cooling Tube Material
W750400	check	400	101	8	227	90°F ± 2°	150°F	External	12	12	Aluminum
W740900	check	900	225	15	425	90°F ± 2°	150°F	External	12	12	Aluminum
W7901500	check	1500	378	25	708	90°F ± 2°	150°F	External	12	12	Aluminum
W7971700	check	1700	425	25	708	90°F ± 2°	150°F	Internal	4	4	Aluminum
W797SS1700	check	1700	425	25	708	90°F ± 2°	150°F	Internal	4X	4X	Stainless St.



W750400



W740900, W7901500



W7971700, W797SS1700