



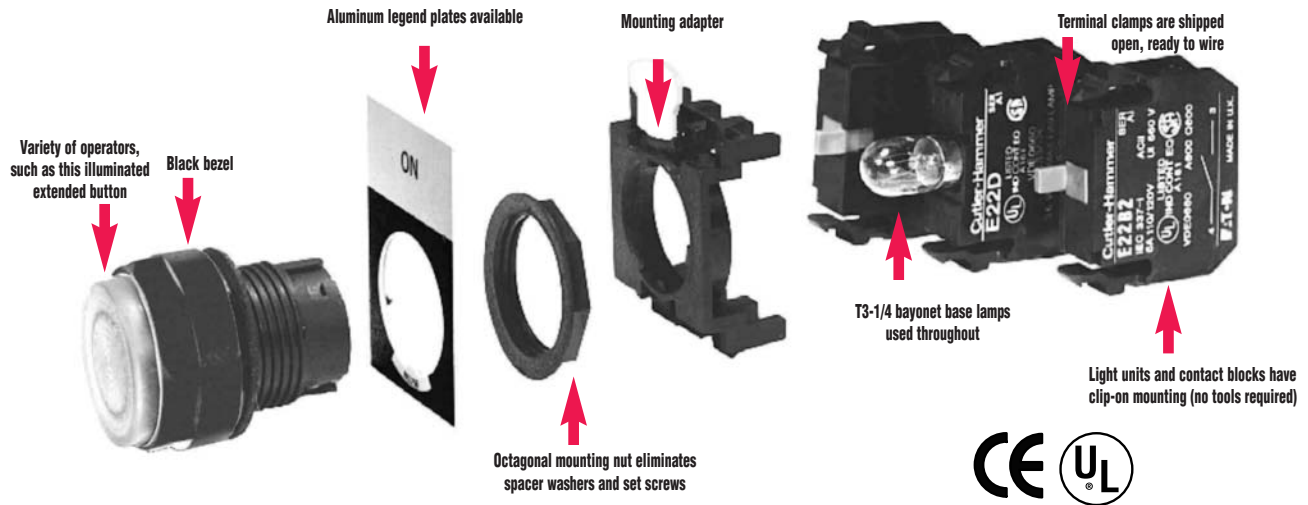
E22 SERIES 22 MM PILOT DEVICES OVERVIEW

22 mm heavy-duty operator and pilot devices

Cutler-Hammer's 22 mm industrial pushbutton line offers a wide array of functional, smartly-styled illuminated and non-illuminated pushbuttons, selector switches, and more. We offer transformer, full voltage, resistor, or LED light units. The operators feature a matte black bezel. The space-saving design and modular construction of the E22 line makes on-the-job installation fast and easy.

Complete assembled devices

The devices listed are shipped complete with operator, contact blocks and light (if applicable).





E22 SERIES SELECTION GUIDE



Indicating lights

- Complete assembly includes:**
- Illuminated operator, including optically enhanced lens
 - Light unit
(Order legend plate separately)



Selector switches

- Complete assembly includes:**
- Selector operator
 - Contact block(s) - one or two normally open or normally closed
 - Black bezel
(Order legend plate separately)



Pushbuttons

- Complete assembly includes:**
- Pushbutton operator
 - One normally open or normally closed contact
 - Black bezel
 - 120 VAC light (if illuminated)
(Order legend plate separately)



50 mm mushroom pushbuttons



Double headed pushbutton



Control station



Illuminated pushbuttons



Push-to-test indicating lights



Tools and Accessories



E22 SERIES TECHNICAL SPECIFICATIONS

Cutler-Hammer

Ingress Protection	
(IP65, IP66 ratings to IEC 529) UL Listed (NEMA) Types 1, 2, 3, 3R, 4, 4X, 12, and 13 when mounted in an enclosure rated for those same applications.	
Electrical Specifications	
Electrical Rating	UL508: A600, Q600. UL File E131568. IEC 60947-5-1: AC15, DC13. Rated Thermal Current 10A. CSA certified class 3211 03, LR 68551.
Maximum Frequency of Operation	
22 mm Pushbuttons	6,000 operations/hour
Key and Lever Selector Switches	3,000 operations/hour
Twist-to-Release Devices	1,200 operations/hour
Push-Pull Operators	3,000 operations/hour
Mechanical Life	
Pushbutton	5 million operations
Selector Switches	500,000 operations
Push-Pull and Twist-to-Release	300,000 operations
Contact Block	3 million operations
Climactic Conditions	
Operating Temperature	Maximum 60° C at 95% RH, -20° to 60° C (-14° to 140° F), altitude 2000 meters
Storage Temperature	Maximum 60° C at 95% RH, -40° to 80° C (-40° to 176° F)
Vibration	
Vibration	5g/0.7mm peak-to-peak 10 sweeps, 10-500 Hz
Shock	18g, 18ms
Bump	25g, 6ms for 1,000 cycles
Construction	
Components	Materials
Housing, Bezel, Mounting Rings	Glass-filled nylon
Internal Seal	Nitrate rubber
Panel Gasket	Nitrate rubber
Illuminated Lenses	Polycarbonate
Buttons	Polyester or polycarbonate
Springs	Stainless steel
Contacts	Silver
Terminal Screws/Terminals	Brass
Panel Thickness - Inches (mm)	
Nominal	0.27 (6.8) ¹
Aluminum Legend Plates	0.05 (1.3)
Large Yellow Round Legend Plates	0.04 (1.0)
Minimum	0.04 (1.0)
¹ Installation of certain accessories will increase the total (overall) panel thickness by the amount shown. The total panel thickness with all accessories installed cannot exceed the maximum allowable nominal dimensions of 0.27 in. (6.8 mm).	
Wire Specifications	
Minimum/Maximum	18AWG (0.75mm ²) / 12AWG (2.5mm ²)
Tightening Torque	7lb./in.

Electrical life

- AC15 durability: 120V, 6A 1 X 10⁶ operations
- DC13 durability: 24V, 8A 0.15 X 10⁶ operations
660V, .1A 0.5 X 10⁶

Logic-level operation

5V DC, 1mA (minimum recommended)

Contacts feature a pointed surface called “Reliability Nib.” The projection penetrates through any oxidation providing unmatched low-level operation without using exotic metals or sealed contacts.

Standards and approvals

- UL listed – UL 508 electrical/environmental; UL 486E terminal secureness, File E131568
- CSA Certified – CSA 22.2 #14
- NEMA ICS-1, ICS-2
- IEC 144, 337, 529, 947
- IP20 fingerproof
- Lloyds No. 4 and 5
- M.T.T.A.
- CE

IEC utilization categories

AC 15

- 24 volts AC at 10 amps
- 130 volts AC at 6.5 amps

DC 13

- 24 volts DC at 1.5 amps
- 110 volts DC at .5 amps



E22 SERIES SPECIFICATIONS AND MOUNTING

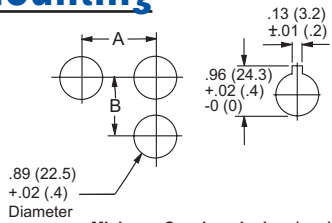
Cutler-Hammer

Contact block ratings

- A600, Q600
- 600V to UL 508, CSA
- 660V to VDE, IEC 337-

Contact Block Ratings								
	AC — UL Type A600				DC — UL Type Q600			
	120V	240V	480V	600V	125V	250V	440V	600V
Make and Emergency Interrupting Capacity (amps)	60	30	1.5	12	0.55	27	0.1	0.1
Normal Load Break (amps)	6	3	1.5	1.2	0.55	27	0.1	0.1
Continuous Current (amps)	10	10	10	10	2.5	2.5	2.5	2.5

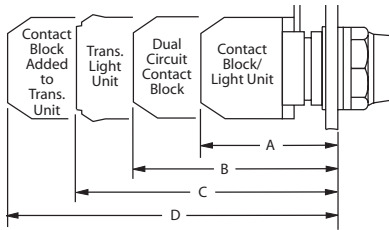
Mounting



Minimum Spacing — Inches (mm)		
Size/Type of Operator	Dimensions	
	A	B
All types up to 1.18 (30) dia. including knob and key operated selector switches — except those listed below	1.18 (30)	1.97 (50)
Three-way adapter		
1.97 (50) dia. operators	2.16 (55)	2.16 (55)
Large yellow round legend plate - 2.76 (70) Dia.	2.95 (75)	1.97 (50)

Back-of-panel extensions

Note: This view is to show dimensions only. Contact blocks are not stackable.



Approximate Dimensions — Inches (mm)			
A	B	C	D
Single circuit block — full voltage and resistor units	Dual circuit contact block	Transformer light unit	Transformer light unit and single circuit contact block
Pushbuttons (All Types and Push-Pull)			
2.0 (51)	2.6 (66)	2.91 (74)	3.7 (94)
Key and Knob Selector Switches			
2.2 (57)	2.83 (72)	3.15 (80)	3.9 (99)





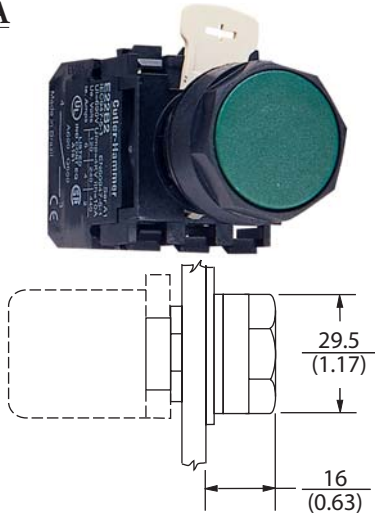
E22 22 MM Non-Illuminated Pushbuttons

Cutler-Hammer

Flush pushbuttons

Approximate dimensions in mm (in). See dimensions for "back-of-panel extensions" at the beginning of this section.

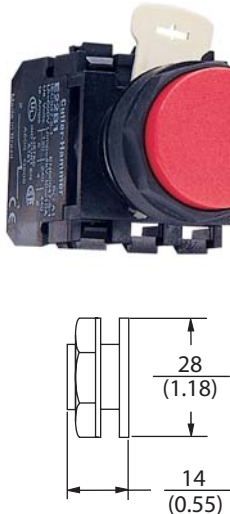
A



Extended pushbuttons

Approximate dimensions in mm (in). See dimensions for "back-of-panel extensions" at the beginning of this section.

B



Non-illuminated Pushbuttons			
Button Flush with Bezel			Price
(A) Black	E22PB1A	Momentary pushbutton, black bezel, flush black button with 1 N.O. contact	check
(A) Green	E22PB3A	Momentary pushbutton, black bezel, flush green button with 1 N.O. contact	check
Extended Button			
(B) Red	E22EB2B	Momentary pushbutton, black bezel, extended red button with 1 N.C. contact	check
Double Headed Pushbutton			
(C) Green-Red	E22DB1A20X11C	Double headed monoblock pushbutton, green-red button with 1 N.O. and 1 N.C. contact	check
Control Station			
(D) Green-Red	E22ASB204	Control station, flush green button (START) with 1 N.O. contact, extended red button (STOP) with 1 N.C. contact Dimensions: inches (mm) H x W x D 4.72(120) X 3.15(80) X 2.36(60)	check

See specifications and mounting data at the beginning of this section.

Double headed pushbutton

Approximate external dimensions are 2.28 in (57.9 mm) H x 1.19 in (30.2mm) W x 0.68 in (17.33mm) D

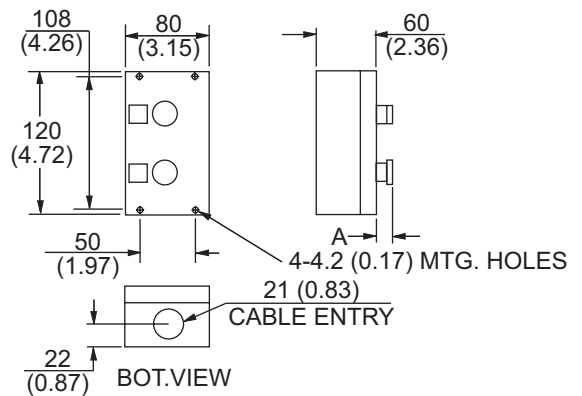
C



Control station

Approximate dimensions in mm (in).

D





E22 22 MM ILLUMINATED PUSHBUTTONS

Illuminated pushbuttons

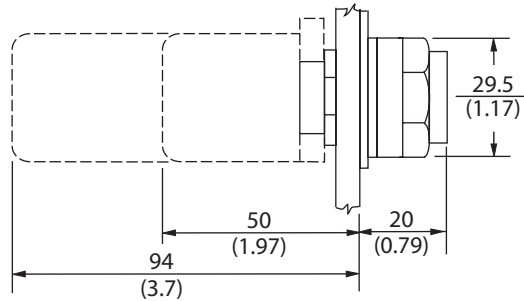


Illuminated Pushbuttons			
24V AC/DC Full Voltage			Price
Red	E22TB2X4B	Momentary illuminated pushbutton, black bezel, extended red button with 1 N.C. contact, 24V full voltage light unit	check
Green	E22TB3X4A	Momentary illuminated pushbutton, black bezel, extended green button with 1 N.O. contact 24V full voltage light unit	check
Amber	E22TB9X4A	Momentary illuminated pushbutton, black bezel, extended amber button with 1 N.O. contact, 24V full voltage light unit	check
120V AC Resistor			
Red	E22TB2X10B	Momentary illuminated pushbutton, black bezel, extended red button with 1 N.C. contact, 120V resistor light unit	check
Green	E22TB3X10A	Momentary illuminated pushbutton, black bezel, extended green button with 1 N.O. contact, 120V resistor light unit	check
Amber	E22TB9X10A	Momentary illuminated pushbutton, black bezel, extended amber button with 1 N.O. contact, 120V resistor light unit	check

See specifications and mounting data at the beginning of this section.

Note: Bulb removal tool available. See replacement lamps on the accessories page.

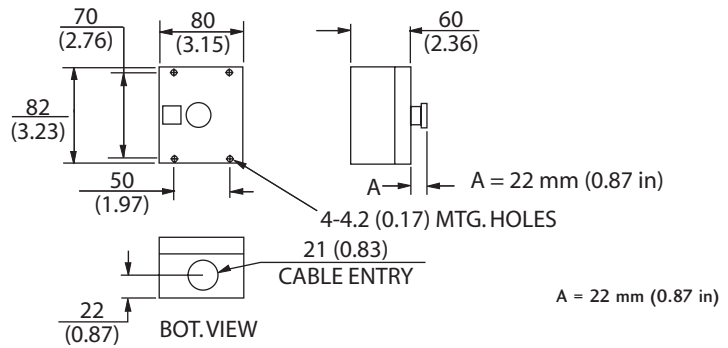
Approximate dimensions in mm (in). See dimensions for "back-of-panel extensions" at the beginning of this section.



Mushroom pushbutton station



Mushroom Pushbutton Station			
Emergency Stop Station			Price
E22ASB106	Red	Latch in, twist-to-release 40mm red mushroom pushbutton, black bezel, with 1 N.C. contact Dimensions: inches(mm) HxWxD 3.23(82) x 3.15(80) x 2.36(60)	check



EATON E22 22 MM MUSHROOM PUSHBUTTONS

Cutler-Hammer

40 mm mushroom pushbuttons

A

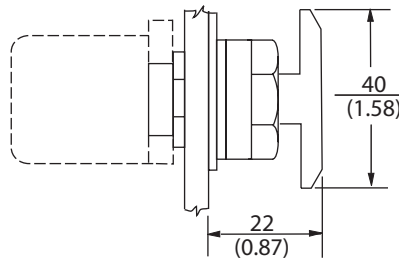


B



Non-illuminated Mushroom Pushbuttons			Price
40mm Mushroom			
(A) Red	E22LB2B	Momentary 40 mm red mushroom pushbutton, black bezel, with 1 N.C. contact	check
(B) Red	E22LLB2B	Twist release 40mm red mushroom pushbutton, black bezel, with 1 N.C. contact	check
50mm Mushroom			
(C) Red	E22JPB2B	Momentary 50 mm red mushroom pushbutton, black bezel, with 1 N.C. contact	check
(D) Red	E22JLB2N8B	Maintained 50 mm red mushroom pushbutton, Emergency Stop engraved, black bezel, with 1 N.C. contact	check
(E) Red	E22JPLB2B	Maintained 50 mm red mushroom pushbutton, not engraved, black bezel, with 1 N.C. contact	check

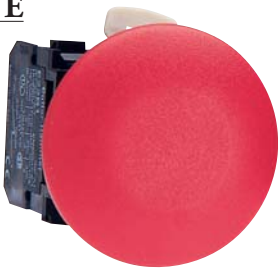
See also specifications and mounting data at the beginning of this section.



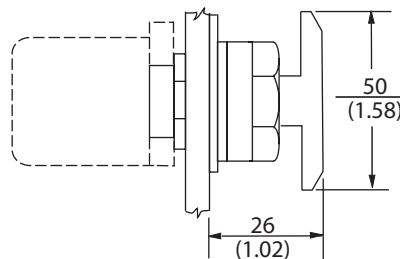
Approximate dimensions in mm (in). See dimensions for "back-of-panel extensions" at the beginning of this section.

50 mm mushroom pushbuttons

C, E

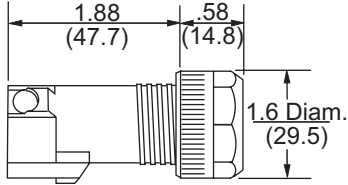


D





E22 22 MM MONOBLOCK INDICATING LIGHTS



Approximate dimensions in mm (in). See dimensions for "back-of-panel extensions" at the beginning of this section.

Monoblock Indicating Lights			
24V AC/DC Full Voltage Incandescent			Price
Red	E22HV2X4	Monoblock indicating light, red optically enhanced lens, 24V full voltage incandescent	check
Green	E22HV3X4	Monoblock indicating light, green optically enhanced lens, 24V full voltage incandescent	check
Amber	E22HV9X4	Monoblock indicating light, amber optically enhanced lens, 24V full voltage incandescent	check
120V AC Full Voltage Incandescent			
Red	E22HV2X8	Monoblock indicating light, red optically enhanced lens, 120V full voltage incandescent	check
Green	E22HV3X8	Monoblock indicating light, green optically enhanced lens, 120V full voltage incandescent	check
Amber	E22HV9X8	Monoblock indicating light, amber optically enhanced lens, 120V full voltage incandescent	check
24V AC/DC Full Voltage LED*			
Red	E22HL2X4	Monoblock indicating light, red optically enhanced lens, 24V full voltage LED	check
Green	E22HL3X4	Monoblock indicating light, green optically enhanced lens, 24V full voltage LED	check
Amber	E22HL9X4	Monoblock indicating light, amber optically enhanced lens, 24V full voltage LED	check
120V AC Full Voltage LED*			
Red	E22HL2X8	Monoblock indicating light, red optically enhanced lens, 120V full voltage LED	check
Green	E22HL3X8	Monoblock indicating light, green optically enhanced lens, 120V full voltage LED	check
Amber	E22HL9X8	Monoblock indicating light, amber optically enhanced lens, 120V full voltage LED	check
120V AC Transformer Incandescent			
Red	E22H2X11	Monoblock Indicating light, red optically enhanced lens, 120V transformer incandescent	check
Green	E22H3X11	Monoblock indicating light, green optically enhanced lens, 120V transformer incandescent	check
Amber	E22H9X11	Monoblock indicating light, amber optically enhanced lens, 120V transformer incandescent	check

See also specifications and mounting data at the beginning of this section.

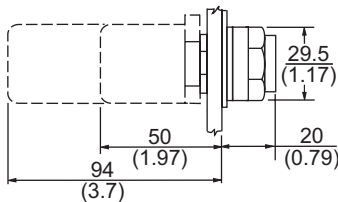
*** Note: Cutler-Hammer 22mm LED indicators feature an LED cluster module. The LED clusters are permanently installed and are non-replaceable.**



EAT·N E22 22 MM LIGHTS AND SELECTOR SWITCHES

Cutler-Hammer

Push-to-test indicating lights



Approximate dimensions in mm (in). See dimensions for "back-of-panel extensions" at the beginning of this section.

Push-to-Test Indicating Lights			
These are designed to illuminate for bulb test when operator is pressed. Otherwise, they function as indicator lights.			
120V AC Resistor			Price
Red	E22TB2X26	Push-to-Test indicating light, red optically enhanced lens, 120V resistor incandescent	check
Green	E22TB3X26	Push-to-Test indicating light, green optically enhanced lens, 120V resistor incandescent	check
Amber	E22TB9X26	Push-to-Test indicating light, amber optically enhanced lens, 120V resistor incandescent	check
120V AC Transformer			
Red	E22TB2X27	Push-to-Test indicating light, red optically enhanced lens, 120V transformer incandescent	check
Green	E22TB3X27	Push-to-Test indicating light, green optically enhanced lens, 120V transformer incandescent	check
Amber	E22TB9X27	Push-to-Test indicating light, amber optically enhanced lens, 120V transformer incandescent	check
See specifications and mounting data at the beginning of this section.			

Note: Bulb removal tool available. See replacement lamps on the accessories page.

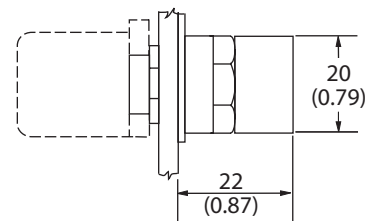
Selector switches



Two position



Three position



Approximate dimensions in mm (in). See dimensions for "back-of-panel extensions" at the beginning of this section.

Selector Switches											
Two Position											
<table border="1"> <tr> <td>Left</td> <td></td> <td>Right</td> </tr> <tr> <td></td> <td>—</td> <td></td> </tr> <tr> <td>M</td> <td></td> <td>M</td> </tr> </table> <p>Maintained Left Maintained Right</p>	Left		Right		—		M		M	E22XB51A	Selector switch, black bezel, two position, black knob, "OFF ON" with one N.O. contact block
Left		Right									
	—										
M		M									
	E22XB51C	Selector switch, black bezel, two-position, black knob, "ON ON" with one N.O. and one N.C. contact block									
Three Position											
<table border="1"> <tr> <td>Left</td> <td>Center</td> <td>Right</td> </tr> <tr> <td></td> <td></td> <td></td> </tr> <tr> <td>M</td> <td>M</td> <td>M</td> </tr> </table> <p>Maintained Left Maintained Center Maintained Right</p>	Left	Center	Right				M	M	M	E22XBG1RR	Selector switch, black bezel, 3-position, black knob, "ON ON ON" with two N.O. two N.C. contact blocks
Left	Center	Right									
M	M	M									
Three Position-Spring Return to Center Position											
<table border="1"> <tr> <td>Left</td> <td>Center</td> <td>Right</td> </tr> <tr> <td></td> <td></td> <td></td> </tr> <tr> <td>S</td> <td>M</td> <td>S</td> </tr> </table> <p>Spring return Left Maintained Center Spring return Right</p>	Left	Center	Right				S	M	S	E22XBL1D	Selector switch, black bezel, 3-position, black knob, "ON OFF ON", spring return to center, with two N.O. contact blocks
Left	Center	Right									
S	M	S									
See specifications and mounting data at the beginning of this section.											



E22 22 MM KEY SWITCHES AND ACCESSORIES

Two-position key switches



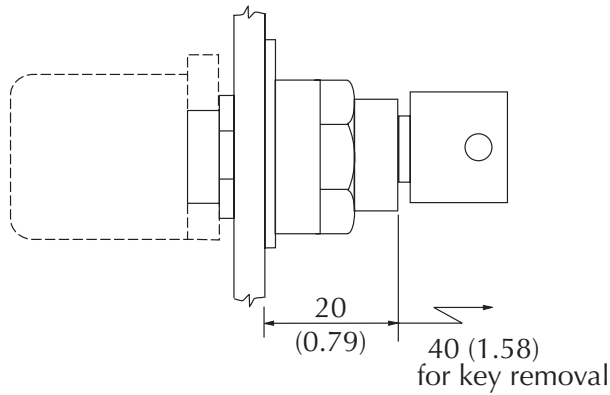
Key Switches			
Two-position Key Switch			Price
(A) Key	E22KB53A	Selector switch, black bezel, 2-position key, "OFF ON" with 1 N.O. contact block	check
(A) Key	E22KB62A	Selector switch, black bezel, 2-position key, spring from right "OFF ON" with 1 N.O. contact block	check
Three-position Key Switch			
(B) Key	E22KBG7RR	Selector switch, black bezel, 3-position key, "ON ON ON" with 2 N.O. - 2 N.C. contact blocks	check
(B) Key	E22KBG7D	Selector switch, black bezel, 3-position key, "HAND OFF AUTO" with 2 N.O. contact blocks	check
See specifications and mounting data at the beginning of this section.			

Notes:

All E22 series key switches are keyed alike. The key is not compatible with the metal 22 mm key switches.

All E22 series key switches will hold only one single row of (2) contacts (non-stackable). Key can be removed in all positions.

Three-position key switches



Spare keys available: part no. E22KS2

Approximate dimensions in mm (in). See dimensions for "back-of-panel extensions" at the beginning of this section.

Accessories — replacement contact blocks

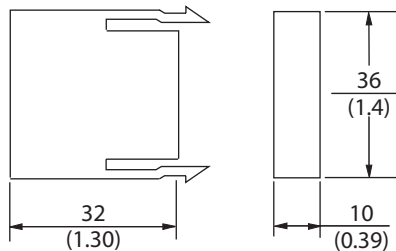
A

B



Note: See contact ratings on page 20-25.

Replacement Contact Blocks		
Contact Blocks		Price
(A) E22B1	1 N.C. contact block	check
(B) E22B2	1 N.O. contact block	check
(C) E22B11	1 N.O. 1 N.C. contact block	check
(D) E22B20	2 N.O. contact blocks	check



Approximate dimensions in mm (in).

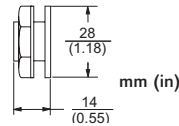
EATON E22 22 MM ACCESSORIES

Cutler-Hammer

Octagonal wrench



Hole plug



Hole cutting tool



HT8LAMPTOOL



Accessories		
Part number	Price	Description
HT8WRENCH	check	Octagonal wrench for tightening back-of-panel mounting nut on all Cutler-Hammer operators.
E22BHP	check	Hole plug for unused 22 mm panel holes.
E22BA5	check	Hole cutting tool for 22 mm mounting holes.
E22KS2	check	Spare key for all Cutler-Hammer 22 mm selector switches (not shown)
10250TBK	check	Blackening kit for user-engraved legend plates; use to blacken the lettering on blank aluminum plates
HT8LAMPTOOL	check	Rubber lamp extraction tool for removing lamps from switches, indicators and stacklights

Replacement incandescent bulbs



Part Number	Rating	Description	Quantity	Price
ECX1900-5	6V, 1.2 watts	6V replacement bulb for 22 mm metal and C-H switches and indicators. Miniature bayonet base T31/4.	pkg. of 5 bulbs	check
ECX1902-5	24V@ 80mA	24V replacement bulb for 22 mm metal and C-H switches and indicators. Miniature bayonet base T31/4.	pkg. of 5 bulbs	check
ECX1904-5	130V@20mA	120V replacement bulb for 22 mm metal and C-H switches and indicators. Miniature bayonet base T31/4.	pkg. of 5 bulbs	check

Note: Bulb removal tool available. Order part number HT8LAMPTOOL.

Replacement LED lamps



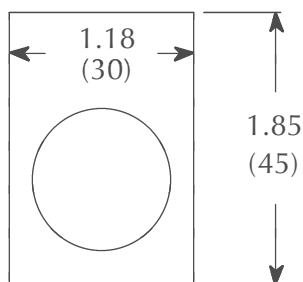
Part Number	Color	Rating	Description	Quantity	Price
ECX1911-2	Red	24V@26mA	LED replacement lamp for miniature bayonet base lamps. Works with 22 mm metal and Cutler-Hammer switches and indicators, but illumination will not be as even when used with Centsable indicators.	pkg. of 2 LED lamps	check
ECX1912-2	Green				check
ECX1913-2	Yellow				check
ECX1914-2	Blue				check
ECX1915-2	White	120V@5mA	Note: Will not replace sealed C-H monoblock LED indicators.		check
ECX1921-2	Red				check
ECX1922-2	Green				check
ECX1923-2	Yellow				check
ECX1924-2	Blue				check
ECX1925-2	White				check

Note: Bulb removal tool available. Order part number HT8LAMPTOOL.

Cutler-Hammer

E22 22 MM LEGEND PLATES

Legend plates



Approximate dimensions in inches (mm).

E22VA8



Accessories			
Legend Plates			Price
Aluminum legend plates feature a plastisol backing to help prevent rotation of the operator.			
Black	E22NS11	"CLOSE"	check
Black	E22NS12	"DOWN"	check
Red	E22NS13	"EMERG. STOP"	check
Black	E22NS15	"FORWARD"	check
Black	E22NS19	"JOG"	check
Black	E22NS25	"ON"	check
Black	E22NS26	"OPEN"	check
Black	E22NS30	"REVERSE"	check
Black	E22NS31	"RUN"	check
Black	E22NS33	"START"	check
Red	E22NS34	"STOP"	check
Black	E22NS35	"UP"	check
Black	E22NS36	Blank plate	check
Red	E22NS37	Blank plate	check
Black	E22NS38	"FOR-REV"	check
Black	E22NS39	"HAND-AUTO"	check
Black	E22NS41	"JOG-RUN"	check
Black	E22NS42	"ON OFF"	check
Black	E22NS43	"OPEN-CLOSE"	check
Black	E22NS48	"UP-DOWN"	check
Black	E22NS50	"FOR-OFF-REV"	check
Black	E22NS51	"HAND-OFF-AUTO"	check
Black	E22NS80	"POWER ON"	check
Black	E22NS81	"MOTOR RUN"	check
Black	E22NS82	"MOTOR STOP"	check
Black	E22NL36	Jumbo alum. blank plate (1.57 in wide x 1.85 in tall)	check
Red	E22NL37	Jumbo alum. blank plate (1.57 in wide x 1.85 in tall)	check
Red /black	E22NSP77	Plastic blank plate; red on one side, black on other side; either side can have letters engraved down into white plastic	check
-	10250TBK	Blackening kit for user-engraved legend plates; use to blacken the lettering on blank aluminum plates	check
Yellow	E22VA8	"EMERGENCY STOP" oversize yellow legend plate, 2.76" (70mm), printed	check

NOTE: Legend plates also work with the 22 mm metal switches. The removal of the locator tab on the legend plate is required for use with the 22 mm metal switches. This is easily accomplished with a round file or small grinder.

E22 SERIES CROSS-REFERENCE TABLES

Pushbutton, Indicator Light, and Selector Switch Cross Reference				
Cutler-Hammer	Allen-Bradley	Telemecanique XB2B (chrome bezel) XA2B (black bezel)	GE C-2000	Siemens
Non-Illuminated Pushbuttons				
E22PB1A	800EPF2 800E3LX10	ZA2BA2 ZA2BZ101	P9XPNGG10N0	3SB1000-0AB01 3SB02-CBH 3SB1400-0B
E22PB3A	800EPF3 800E3LX10	ZA2BA3 ZA2BZ101	P9XPNVG10N0	3SB1000-0AE01 3SB02-CBH 3SB1400-0B
E22EB2B	800EPE4 800E3LX01	ZA2BL4 ZA2BZ102	P9XPNRS20N0	3SB1000-0LC01 3SB02-CBH 3SB1400-0B
E22DB1A20X11C	800EP-LU2C24 800E-3DL5X11	ZB2BA9234 ZB2BZ105 Die cast - not illuminated	P9DPLVRG01 P9PTNVJ P9B11VN	3SA8810-0CB04 This is 30 mm. Not available in 22 mm.
E22ASB204	ENCLSR: 800E-2P 800EP-F3 800E-2LX10 800EP-E4 800E-2LX01 800E-34BE208 800E-34R212	XALB211 Both flush - stop is not extended	P9CPNRSN20N0 P9CPNVGN10N0 P9EPB02 P9AEPN201 P9AEPN202	3SB02-S21
Illuminated Pushbuttons				
E22TB2X4B	800EPL4 800E3DL3 800E3X01	ZA2BW14 ZA2BW06224	P9XPLRSDN12NADI	3SB1001-0LC01 3SB02-CBH 3SB1400-0C 3SB1400-2H
E22TB3X4A	800EPL3 800E3DL3 800E3X10	ZA2B213 AZ2B206124	P9XPLVSDN12NADI	3SB1001-0LE01 3SB02-CBH 3SB1400-0B 3SB1440-2H
E22TB9X4A	800EPL5 800E3DL3 800E3X10	ZA2BW15 ZA2BW06124	P9XPLASDN12NADI	3SB1001-0LD01 3SB02-CBH 3SB1400-0B 3SB1400-2H
E22TB2X10B	800EPL4 800E2RL5 800E3X01	ZA2BW14 ZA2BW062120	P9XPLRSB P9PRNVJ P9PDNVD	3SB1001-0LC01 3SB02-CBH 3SB1400-0C
E22TB3X10A	800EPL3 800E2RL5 800E3X10	ZA2BW13 ZA2BW061120	P9XPLVSD P9PRNVJ P9PDNVD	3SB02-UPR1P 3SB1910-0DE 3SB1400-0B
E22TB9X10A	800DPLE5 800E2RL5 800E3X10	ZA2BW15 ZA2B2061120	P9XPLASD P9PRNVJ P9PDNVD	3SB02-UPR1P 3SB1910-0DD 3SB1400-0B

E22 SERIES CROSS-REFERENCE TABLES

Pushbutton, Indicator Light, and Selector Switch Cross Reference (cont'd)				
Cutler-Hammer	Allen-Bradley	Telemecanique XB2B (chrome bezel) XA2B (black bezel)	GE C-2000	Siemens
Non-Illuminated Mushroom Pushbuttons				
E22LB2B	800EPM4 800E3LX01	ZA2BC4 ZA2BZ102	P9XEM4RNN20N0	3SB1000-1RC01 3SB02-CBH 3SB1400-0C
E22LLB2B	800EPM4 800E3LX01	ZA2BS54 ZA2BZ102	P9XER4RAN20N0	3SB1000-1AC01 3SB02-CBH 3SB1400-0C
E22JPB2B	800EPMJ4 800E3LX01	ZA2BR4 ZA2BZ102	P9XEMGRN (60mm) P9B01VN	3SB1000-1VC01 (70MM) 3SB1400-0C
E22JLB2N8B	800EPMJP28 800E3LX01	NO EQUAL	NO EQUAL	NO EQUAL
E22JPLB2B	800EPMJP24 800E3LX01	ZA2BX4 ZA2BZ102	P9XET4RN1200	3SB1000-0KC01 (40mm) 3SB1400-0C
E22ASB106	800EP-MT4 800E-2LX01 800E-1P 800E-15YE112	XALJ174 No Nameplate +Yellow Cover	P9XER4RAN20N0 P9EPB01 P9AEPNEN	3SB02-S13 No Nameplate + Yellow Cover
Indicating Lights				
		<i>Use ZA2 or ZB2 for these indicating lights</i>		
E22HV2X4	800EPPL4 800E3DL3	ZA2BV04 ZA2BV624	P9XURR0 BA9S24	N/A
E22HV3X4	800EPPL3 800E3DL3	ZA2BV03 ZA2BV624	P9XUGR0 BA9S24	N/A
E22HV9X4	800EPPL5 800E3DL3	ZA2BV05 ZA2BV624	P9XUAR0 BA9S24	N/A
E22HV2X8	800EPPL4 800E3DL5	ZA2BV04 ZA2BV6120	B9XURR0 BA9S130	N/A
E22HV3X8	800EPPL3 800E3DL5	ZA2BV03 ZA2BV6120	B9XUGR0 BA9S130	N/A
E22HV9X8	800EPPL5 800E3DL5	ZA2BV05 ZA2BV6120	B9XUAR0 BA9S130	N/A
E22HL2X4	800EPPL4 800E3DL3R	ZA2BV043 ZA2BV624 DL1CJUS0244	B9XURR0 080BA9S24LR	N/A
E22HL3X4	800EPPL3 800E3DL3G	ZA2BV033 ZA2BV624 DL1CJUS0243	B9XUGR0 080BA9S24LG	N/A
E22HL9X4	800EPPL5 800E3DL3A	ZA2BV053 ZA2BV624 DL1CJUS0245	B9XUAR0 080BA9S24LA	N/A
E22HL2X8	800EPPL4 800E3DL5R	ZA2BV043 ZA2BV620 DL1CJUS1204	B9XURR0 080BA9S120LR	N/A
E22HL3X8	800EPPL3 800E3DL5G	ZA2BV033 ZA2BV6120 DL1CJUS1203	B9XUGR0 080BA9S120LG	N/A
E22HL9X8	800EPPL5 800E3DL5A	ZA2BV053 ZA2BV6120 DL1CJUS1205	B9XUAR0 080BA9S120LA	N/A

E22 SERIES CROSS-REFERENCE TABLES

Pushbutton, Indicator Light, and Selector Switch Cross Reference (cont'd)				
Cutler-Hammer	Allen-Bradley	Telemecanique XB2B (chrome bezel) XA2B (black bezel)	GE C-2000	Siemens
Indicating Lights (cont'd)				
<i>Use ZA2 or ZB2 for these indicating lights</i>				
E22H2X11	800EPPL4 800E3TL5	ZA2BV04 ZA2BV3	P9XLRGJI	3SB1001-6CC06 3SB02-CBH 3SB1400-5M
E22H3X11	800EPPL3 800E3TL5	ZA2BV03 ZA2BVB3	P9XLGGJI	3SB1001-6CE06 3SB02-CBH 3SB1400-5M
E22H9X1	800EPPL5 800E3TL5	ZA2BV05 ZA2BV3	P9XLAGJI	3SB1001-6CD06 3SB02-CBH 3SB1400-5M
E22TB2X26	800EPLE4 800E3TLT5X11	ZA2BW14 ZA2B2065120	P9XPLRSDN30NKJI	3SB02-UPR1P 3SB1910-ODC 3SB1400-0B
E22TP3X26	800EPLE3 800E3TLT5X11	ZA2BW13 ZA2BW065120	P9XPLGSDN30NKJI	3SB02-UPR1P 3SB1910-ODE 3SB1400-0B
E22TB9X26	800DPLE5 800ETLT5X11	ZA2B215 ZA2BW065120	P9XPLASDN30NKJI	3SB02-UPR1P 3SB1910-ODD 3SB1400-0B
E22TB2X27	800EPLE4 800E3TLT5X11	ZA2BW14 ZA2BW035	P9XPLRSDN30NHJI	3SB100-0QC01 3SB02-CBH 3SB1400-5M
E22TB3X27	800EPLE3 800E3TLT5X11	ZA2BW13 ZA2BW035	P9XPLGSDN30NHJI	3SB1001-0QE01 3SB02-CBH 3SB1400-5M
E22TB9X27	800EPLE5 800E3TLT5X11	ZA2BW15 ZA2BW035	P9XPLASDN30NHJI	3SB1001-0QA01 3SB02-CBH 3SB1400-5M
Selector Switches				
E22XB51A	800EPSM22 800E3LX10	ZA2BD2 ZA2BZ101	P9XSMD0N P9B10VN	3SB02-2MKBP 3SB1400-0B
E22XB51C	800EPSM22 800E3LX11	ZA2BD2 ZA2BZ105	P9XSMD0N P9B11VN	3SB02-2MKBP 3SB1400-0C
E22XBG1RR	800EPSM32 800E3LX20 800E3LX02	ZA2BD3 ZA2BZ103 ZA2BZ104	P9XSMZ0N P9B11VN	3SB02-3MKBP 3SB1400-0G 3SB1400-0H
E22KB53A	800EPKM2Z1 800E3LX11	ZA2BG4 ZA2BZ101	P9XSCD0K95 P9B10VN	3XB02-2MHC1P 3SB1400-0B
E22KB62A	800EPKR2Z1 800E3LX10	ZA2BG6 ZA2BZ101	P9XSCD0K95 P9B10VN	3SB02-2LHC1P 3SB1400-0B
E22KBG7RR	800EPKM3R1 800E3 800E3LX11	ZA2BG0 ZA2BZ103 ZA2BZ104	P9XSCZ0T95 (2) P9B11VN	3SB02-3MHC6P 3SB1400-0G 3SB1440-0H
E22KBG7D	800EPKM3R1 800E3LX10	ZA2BG0 ZA2BZ103	P9XSCU0K95	3SB02-3MHC2P 3SB1400-0G

E22 SERIES CROSS-REFERENCE TABLES

Pushbutton, Indicator Light, and Selector Switch Cross Reference (cont'd)				
Cutler-Hammer	Allen-Bradley	Telemecanique XB2B (chrome bezel) XA2B (black bezel)	GE C-2000	Siemens
Accessories				
E22B1	800E3X01	ZA2BZ102	P9B01VN	3SB1400-0C
E22B2	800E3X10	ZA2BZ101	P9B10VN	3SB1400-0B
E22NS33	800E13BE208	ZA2BZ32303	P9ACP2N202	P22MPS03
E22NS34	800E13BE212	ZA2BZ32304	P9ACP2N201	P22MPS04
E22NS19	800E13BE138	ZA2BZ32101 + custom text	P9ACP2N210	P22MPS28
E22NS11	800E13BE107	ZA2BZ32314	P9ACP2N205	P22MPS19
E22NS12	800E13BE110	ZA2BZ32308	P9ACP2N203	P22MPS17
E22NS50	800E13BE261	ZA2BZ32101+ custom text	P9ACP2N239	P22MPS81
E22NS15	800E13BE120	ZA2BZ32305	P9ACP2N214	P22MPS07
E22NS38	800E1BE253	ZA2BZ32101+ custom text	P9ACP2N231	P22MPS57
E22NS39	800E13BE127	ZA2BZ32101 + custom text	P9ACP2N243	P22MPS52
E22NS51	800E13BE128	ZA2BZ32387	P9ACP2N261	P22MPS80
E22NS41	800E13BE142	ZA2BZ32101 + custom text	P9ACP2N245	P22MPS65
E22NS81	800E13B	ZA2BZ32101 + custom text	P9ACP2NFEN	P22MPS38
E22NS82	800E13B	ZA2BZ32101 + custom text	P9ACP2NFEN	P22MPSBB + custom text
E22NS25	800E13BE166	ZA2BZ32311	P9ACP2R212	P22MPS01
E22NS26	800E13BE170	ZA2BZ32313	P9ACP2N206	P22MPS18
E22NS43	800E13BE171	ZA2BZ32101 + custom text	P9ACP2N234	P22MPS60
E22NS30	800E13BE188	ZA2BZ32306	P9ACP2N215	P22MPS08
E22NS31	800E13BE193	ZA2BZ32334	P9ACP2N211	P22MPS06
E22NS35	800E13BE22	ZA2BZ32307	P9ACP2N204	P22MPS16
E22NS48	800E13BE224	ZA2BZ32101 + custom text	P9ACP2N256	P22MPS61
E22NS13	800E13BE112	ZA2BZ32330	P9ACP2R229	P22MPS27
E22VA8	800E16Y	ZB2BY9303	080XTG802	3SX1348